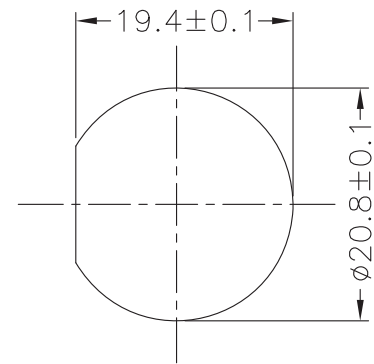
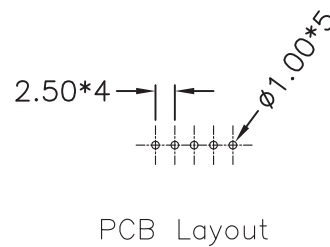


**Material:**

- Waterproof Rate: IP67
- Body: ABS 94V-0, Black
- USB B: Female solder type, gold plated
- Gasket: EPDM, Black
- Panel Nut: Nylon + GF, Black
- Housing: 5pin, PH=2.50mm
- Terminal: Phosphor bronze, tin-plated
- Cable: USB2.0 28AWG\*1P+24AWG\*2C+AL/My+D+B
  - Black PVC jacket resist UV, OD=5.0
- \* Use with waterproof cap or dust cap
  - for panel thickness Max: 2.8mm
- \* Use without waterproof cap or dust cap
  - for panel thickness Max: 4.0mm



Pin	Wire Color	Wire Gauge	Conn.
5	Drain		Shield
4	Black	24AWG	4
3	Green	28AWG	3
2	White	28AWG	2
1	Red	24AWG	1
Housing	Twist		

Unit: mm



Scale	Free				Date	Name	Title
TOLERANCE					Drawn	Wilson	Waterproof USB2.0 panel mount
X.	±0.5				Approved	Groll	B type, Male to Male wafer, .05 meter
X.X	±X				ASSMANN WSW-No.		
X.XX	±X				A-USB-BPFS		
DIM	TOL	②	Revised part number	11.07.13	Wilson	Drawing-No.	
X.°	±X°	①	Updated all information	12.03.13	Wilson	rev02	
X.X°	±X°	①	Modification	Date	Name	Replace	Sheet
Angle	TOL	Id.					1/1

