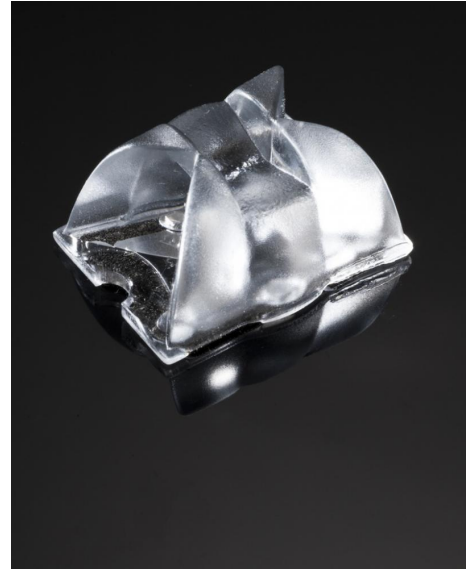


## DETAILS

<b>Product Number</b>	CA12220_STRADA-A2
<b>Family</b>	Strada
<b>Type</b>	Assembly
<b>Color</b>	clear
<b>Diameter</b>	19,6 +15,4 mm
<b>Height</b>	10,65 mm
<b>Style</b>	rectang
<b>Optic Material</b>	PMMA
<b>Holder Material</b>	
<b>Fastening</b>	screw, pin, tape
<b>Status</b>	production ready
<b>ROHS Compliant</b>	Yes
<b>Date Updated</b>	7/03/2014

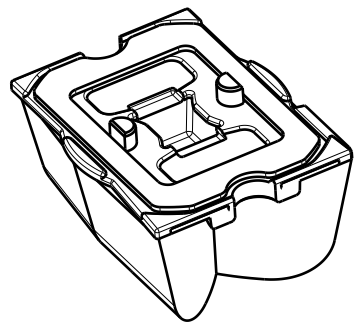


## OPTICAL PROPERTIES

LED	Viewing Angle	Light Beam	Efficiency	cd/lm	Connector
XP-E	68+136 deg	Streetligh...	92 %	1.100	-
XP-G	72+ 144 deg	Streetligh...	92 %	0.850	-
H35C0 (LEMWA33)	82+143 deg	Streetligh...	92 %	1.000	-
LUXEON A	74+ 144 deg	Streetligh...	92 %	-	-

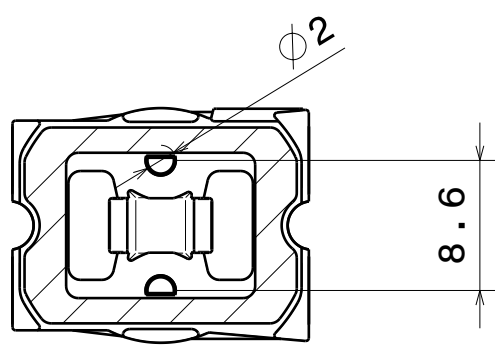
D C B A

4



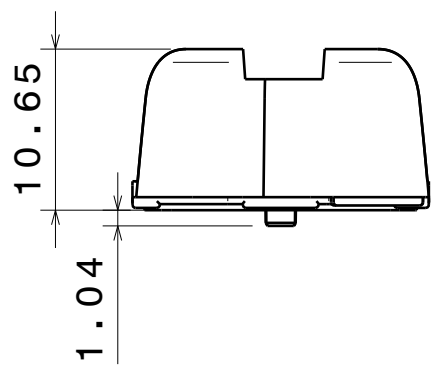
4

3



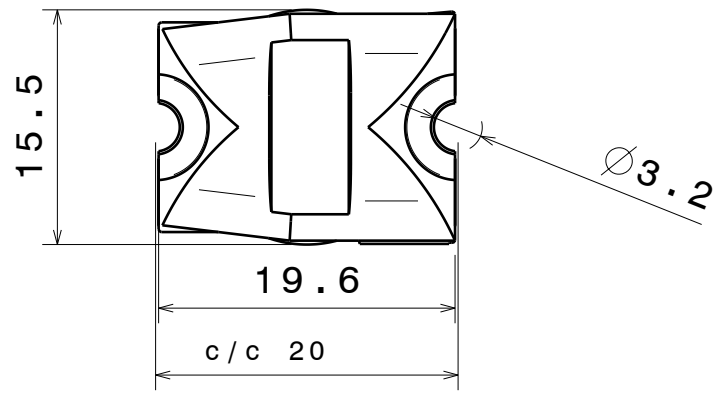
3

2



2

Material:  
 Lens PMMA  
 Tape PU foam with PSA



This drawing is our property.  
 It can't be reproduced  
 or communicated without  
 our written agreement.



L T F F e i n e i n

DRAWING TITLE

Datasheet Strada-A2 assy

DRAWN BY  
 p DATE  
 05.08.2011

CHECKED BY  
 t k DATE  
 07.07.2011

DESIGNED BY  
 hh DATE  
 20.11.2008

SIZE A4 DRAWING NUMBER REV  
 0.1

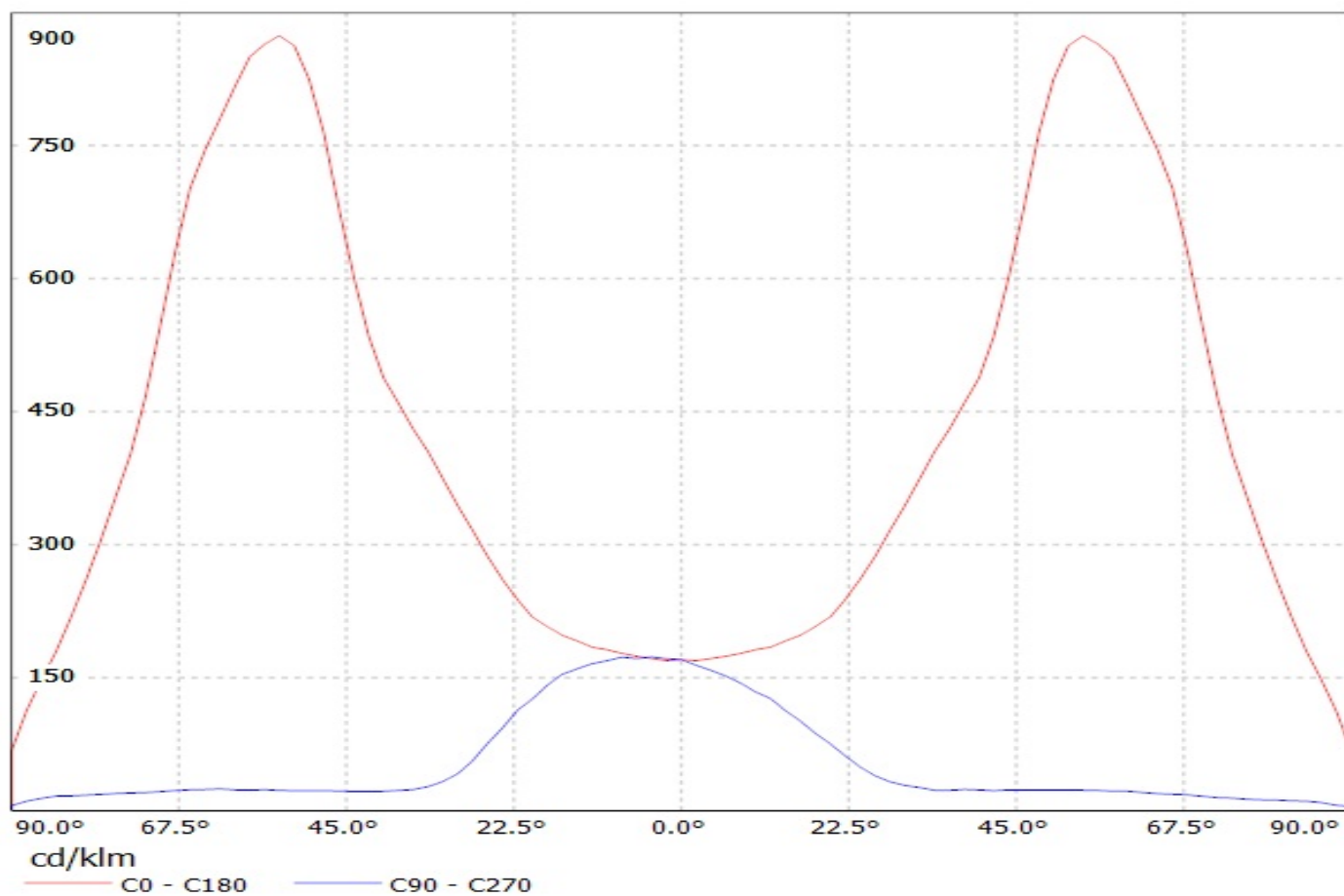
SCALE 2:1 WEIGHT (g) SHEET 1/1

1

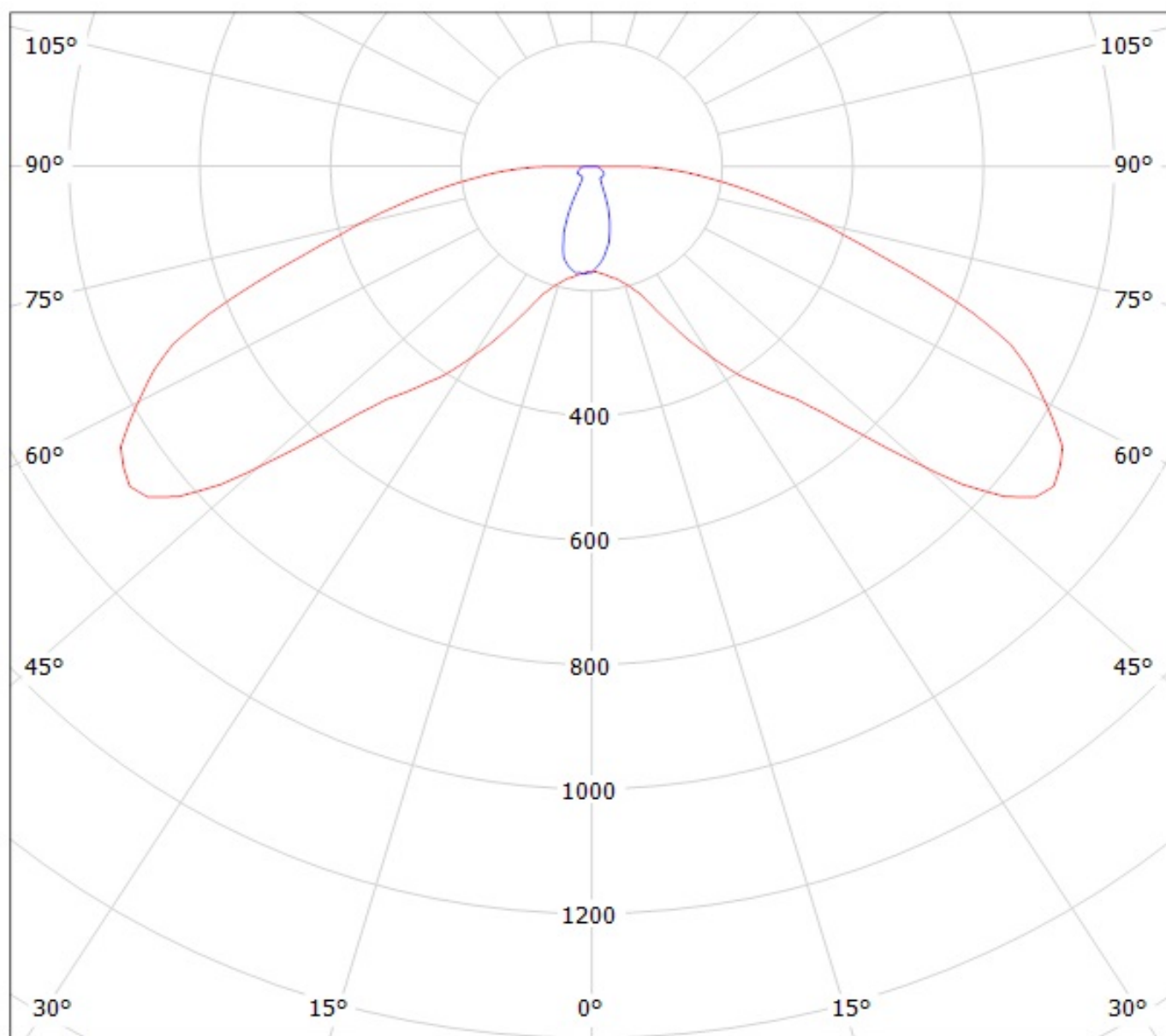
1

D A

Luminaire: Ledil Oy C12220\_STRADA-A2-Luxeon-A Efficiency=92%  
Lamps: 1 x Luxeon-A 250mA 71lm



Luminaire: Ledil Oy C12220\_STRADA-A2-Luxeon-A Efficiency=92%  
Lamps: 1 x Luxeon-A 250mA 71lm



cd/klm

— C0 - C180    — C90 - C270

**NOTE: The typical divergence will be changed by different color, chip size and chip position tolerance. The typical total divergence is the full angle measured where the luminous intensity is half of the peak value.**