

SOLENOID PRODUCT SPECIFICATION

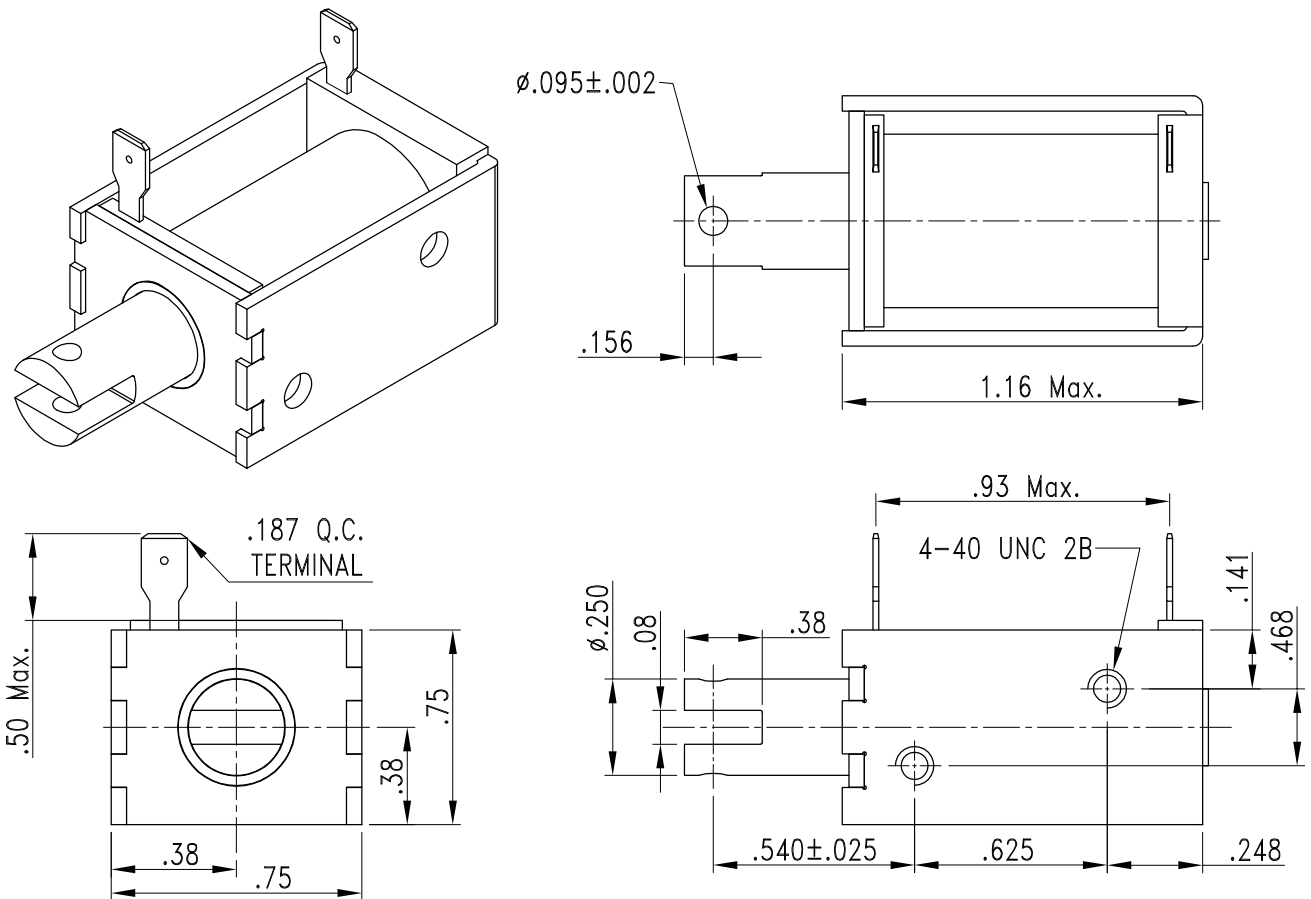
| PART No. | VOLTAGE | DUTY CYCLE | POWER (W) | CURRENT (A) | DCR (Ω) * |
|---------------|---------|---------------|-----------|-------------|-----------|
| DSOL-0630-05C | 5 VDC | 100% | 4 | 0.8 | 6 |
| DSOL-0630-05E | 5 VDC | 25%, 60sec On | 8.2 | 1.6 | 3.2 |
| DSOL-0630-12C | 12 VDC | 100% | 4 | 0.4 | 36 |
| DSOL-0630-12E | 12 VDC | 25%, 60sec On | 8.5 | 0.7 | 17 |
| DSOL-0630-18C | 18 VDC | 100% | 4.8 | 0.27 | 66 |
| DSOL-0630-18E | 18 VDC | 25%, 60sec On | 8.5 | 0.48 | 38 |
| DSOL-0630-24C | 24 VDC | 100% | 4 | 0.2 | 144 |
| DSOL-0630-24E | 24 VDC | 25%, 60sec On | 8.5 | 0.4 | 68 |

* OPERATION: POWER TO PULL , NO RETURN SPRING.

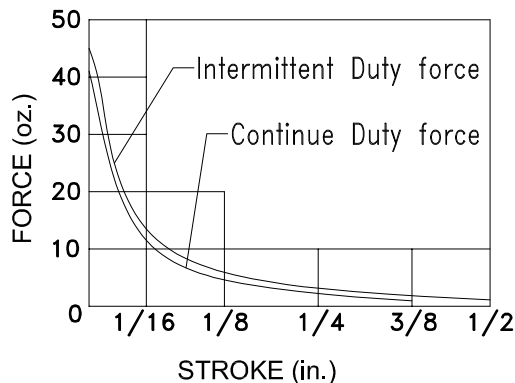
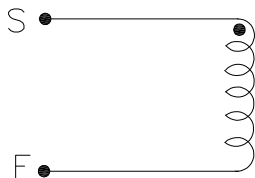
* DCR VALUES ARE ±10% AT 25°C

* WEIGHT ARE 80 GRAMS ±10%

1. MECHANICAL DIMENSIONS :



2. SCHEMATIC AND CONSTRUCTION :



UNIT : inch.

UNLESS TOLERANCES.

X.X = ±0.02
 X.XX = ±0.01
 ANGLES = ±1°

INSULATION MATERIALS: UL CONSTRUCTION, CLASS B 130°C
 LIFE EXPECTANCY: 100K CYCLES OPERATIONS

| LAYER TEST | IR. @500 Vdc. | HI-POT |
|-------------------|---------------|---------------|
| (S-F) 500Vp. MIN. | COIL TO FRAME | @50/60Hz.,2mA |
| TEST ONLY COIL | 50 MOHM MIN. | COIL TO FRAME |
| | | 1200Vac.,1s |