


SIGN	DATE	DESCRIPTION	APPROVER
		THIS IS CAD DRAWING, DO NOT REVISE MANUALLY!!!	

**Material**

- Insulating cover: Thermoplastic ( UL94V-0 )
- Insulating body: Thermoplastic ( UL94V-0 )
- Terminal screw :Steel Cr3+ Zinc plating "-" slot type
- Contant: Brass, Tin plated
- Terminal body :Steel stamping, Zinc plating

**Electrical**

- Voltage rating: 300VAC
- Current rating: 10A
- Wire range:
  - Solid wire(AWG): 12-22
  - Stranded wire(AWG): 12-22
- Torque(Lb-In): 3.5
- Screw: M2.5
- Wire strip length: 6-7mm
- Withstanding Voltage: 1.6KV
- Operating temperature: -30°C to +105°C
- Soldering temperature: 250°C±10°C/5 Sec
- Safety Approval: 

RoHS Compliant

**PART NUMBER**

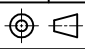
**OSTEQXX0580**

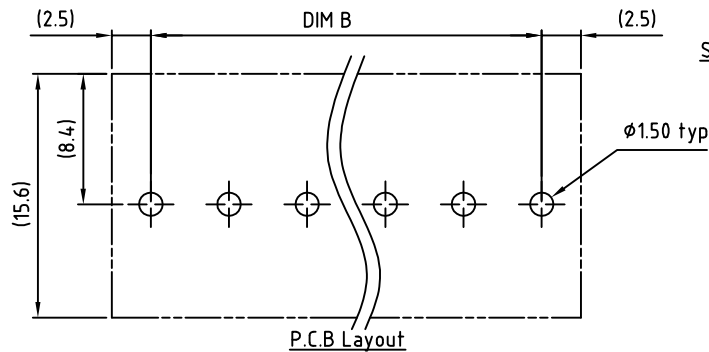
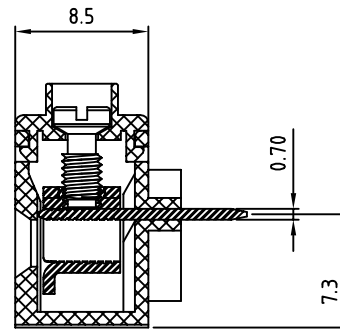
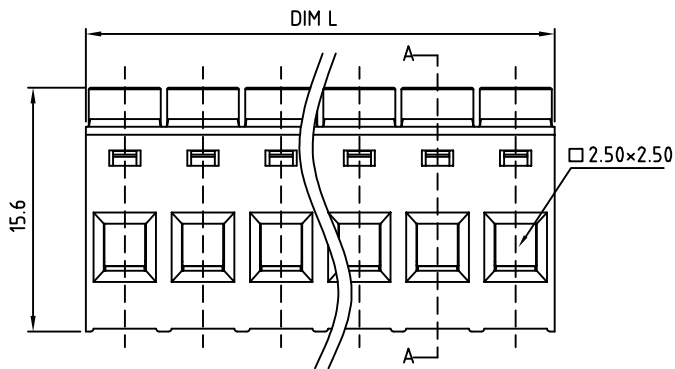
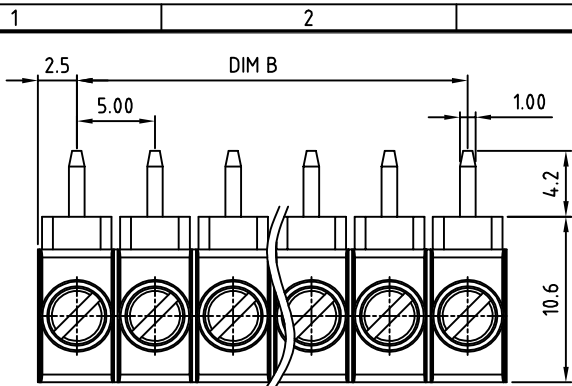
No. of Poles  
 02 02 Poles  
 03 03 Poles  
 ...  
 24 24 Poles

COLOR  
 0: Black  
 5: Green  
 6: Blue  
 8: Grey (Standard)

THESE DRAWINGS AND SPECIFICATIONS ARE THE PROPERTY OF ON-SHORE TECHNOLOGY, INC. AND SHALL NOT BE REPRODUCED, COPIED OR USED IN ANY MANNER WITHOUT THE PRIOR WRITTEN CONSENT OF ON-SHORE TECHNOLOGY, INC.



TITLE		OSTEQ 5.0 Series 90 Degree Wire inlet (Vertical)			
PART NO.	OSTEQXX0580	DWG NO.	OSTEQXX0580.DWG		
APPROVED	CHECKED	DESIGNED	DRAWN	CUST NO.	Tolerance
	Marvin 2007.03.31	Aaron 2006.09.28	Aaron 2006.09.28		X. ±0.50 X.X ±0.30 X.XX ±0.10 X* ±1*
				SHEET: 01/01	UNIT: mm SCALE: NONE REV: B



Poles	02	03	04	05	06	07	08	09	10	11	12	13
Dim L	10.00	15.00	20.00	25.00	30.00	35.00	40.00	45.00	50.00	55.00	60.00	65.00
Dim B	5.00	10.00	15.00	20.00	25.00	30.00	35.00	40.00	45.00	50.00	55.00	60.00
TOL	±0.15				±0.20				±0.25			
Poles	14	15	16	17	18	19	20	21	22	23	24	
Dim L	70.00	75.00	80.00	85.00	90.00	95.00	100.0	105.0	110.0	115.0	120.0	
Dim B	65.00	70.00	75.00	80.00	85.00	90.00	95.00	100.0	105.0	110.0	115.0	
TOL	±0.25				±0.30							