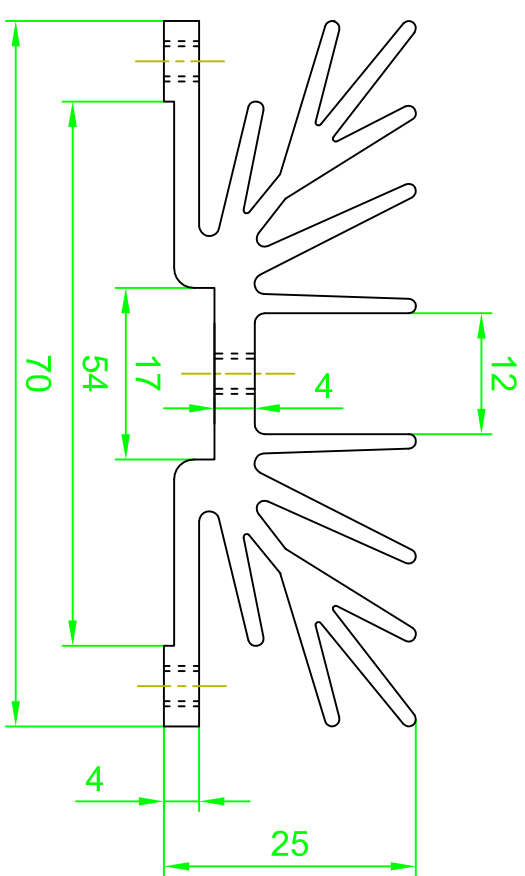
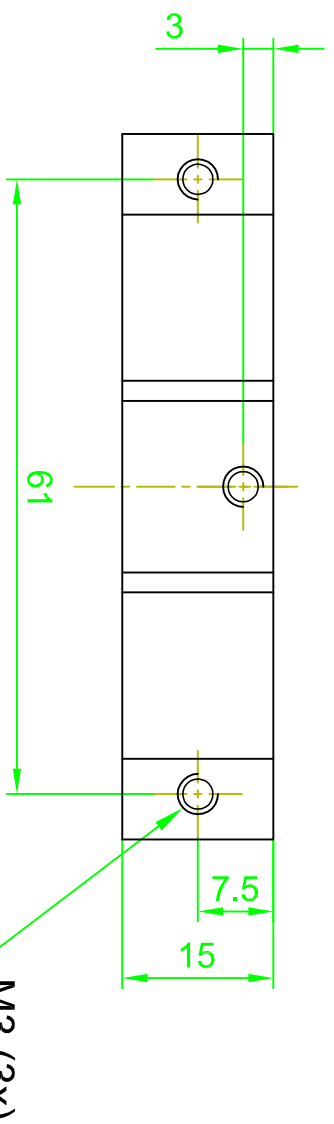


ROHS COMPLIANT



Oberfläche: schwarz eloxiert  
Schnittkanten gratfrei

Allgemeintitel  
DIN ISO  
2768-m-S

Material: AlMgSi 0,5

Scale	1:1			Customer-No.	67149	
TOLERANCE		Drawn	Date	Name		
X.X	±0.40		20.04.09	M.Vaško		
X.XX	±0.25	Approved	20.04.09	J.Kováč		
X.XXX	±0.15					
DIM	TOL					
X°	±3°					
X.X°	±X°	①	Drawn	M.Vaško		
Angle	TOL	Id.	Modification	Date	Name	
				20.04.09	M.Vaško	



Drawing-No.	ASSMANN WSW-No.	ASSMANN WSW-No.	rev01
	V5512W	V5512W	
Replace	ASS_1569_HS		Sheet

1	2	3	4	5	6	7	A
1	2	3	4	5	6	7	H