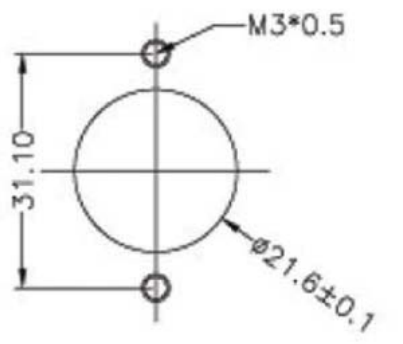
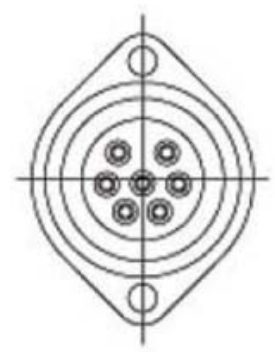
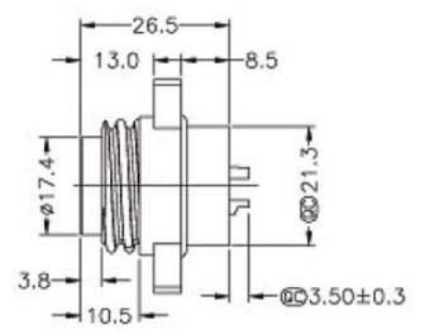
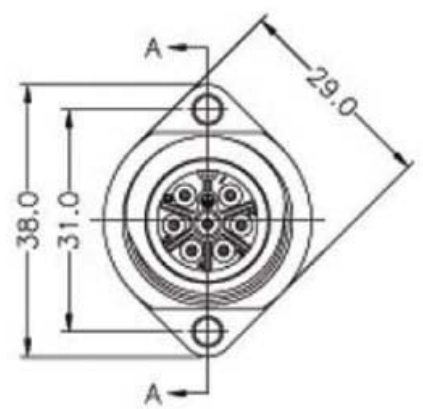


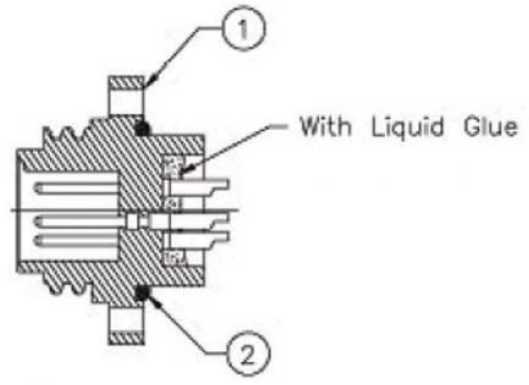
1 2 3 4 5 6 7



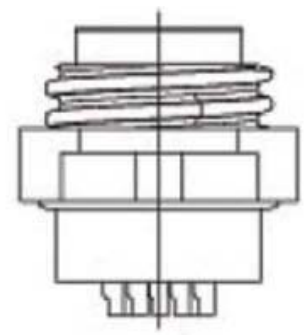
Recommended Panel Cut-Out



Pin Assignments Front View



Section A-A



**Material:**

- Waterproof Rate: IP67
- Housing: Black ABS Plastic
- Connector: Black, Nylon+GF
- Pin: Copper Alloy, Gold Plated
- Contacts: Gold Plating
- Operating temperature: -40°C to +105°C

**Electrical:**

- Current Rating: 8A, 12A, 20A
- Contact Resistance:  $\leq 20\text{m}\Omega$
- Insulation Resistance:  $\geq 100\text{M}\Omega @ 250\text{V DC}$
- Durability: 1,000 Times
- Breakdown Voltage:  $\geq 1,000\text{V} / 1 \text{ Minute}$



Scale	1:1						Name
TOLERANCE					Drawn	12.01.11	Chappell
X.X	$\pm 0.40$				Approved		
X.XX	$\pm 0.25$						
X.XXX	$\pm 0.15$						
Angle	$\pm 3^\circ$						



Item No.	
<b>A-P07PMMS-SC-WP-R</b>	
Title Waterproof Power Connector 7 Pin (8A), Male, Panel Mount	
Drawing No.	
Replace	rev00
Sheet	

1 2 3 4 5 6 7