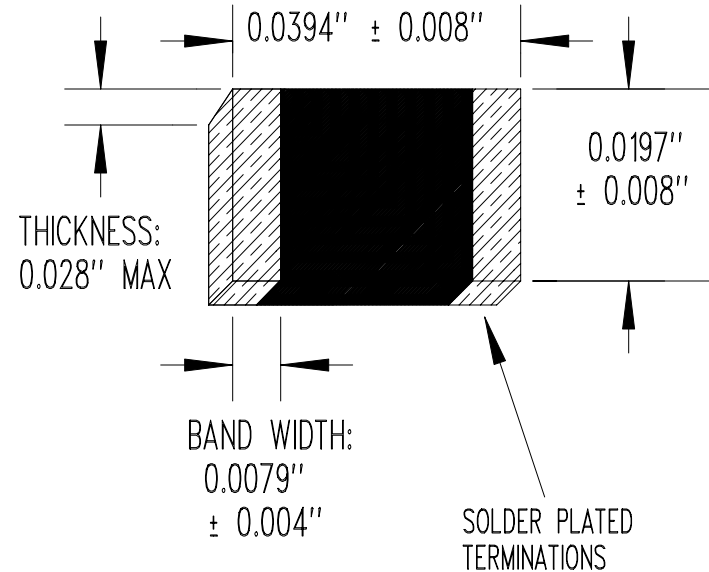


RESISTANCE/TEMPERATURE TABLE			
TEMP (°C)	RESIS (Ω)	TEMP (°C)	RESIS (Ω)
-40	1,609,271	45	20,447
-35	1,156,298	50	16,845
-30	840,765	55	13,951
-25	618,225	60	11,612
-20	459,422	65	9,712
-15	344,839	70	8,160
-10	261,291	75	6,886
-5	199,765	80	5,836
0	154,027	85	4,966
5	119,722	90	4,244
10	93,771	95	3,641
15	73,981	100	3,135
20	58,773	105	2,709
25	47,000	110	2,349
30	37,823	115	2,044
35	30,630	120	1,784
40	24,954	125	1,562



RESISTANCE @ +25°C = 47,000 Ω ± 5%
 BETA "β" (+25 TO +85°C) = 4,000°K NOMINAL
 POWER RATING = 40 mW
 OPERATING TEMPERATURE RANGE = -40 TO +125°C

SEE MANUFACTURING SPECIFICATION (LAYER 1)

NONE	RELEASE TO PRODUCTION	12/04/03	DD
REV	REVISION RECORD	DATE	APP

SCALE NONE	U.S. SENSOR CORP. 1832 W. COLL INS AVE. ORANGE, CA. 92867 714-639-1000 www.ussensor.com
DRAWN BY DAN DANKERT	
DATE 12/04/03	
REV. NONE	
LAYER 0 OF 2	
THERMISTOR, NTC CHIP	
P/N RA473K0J	