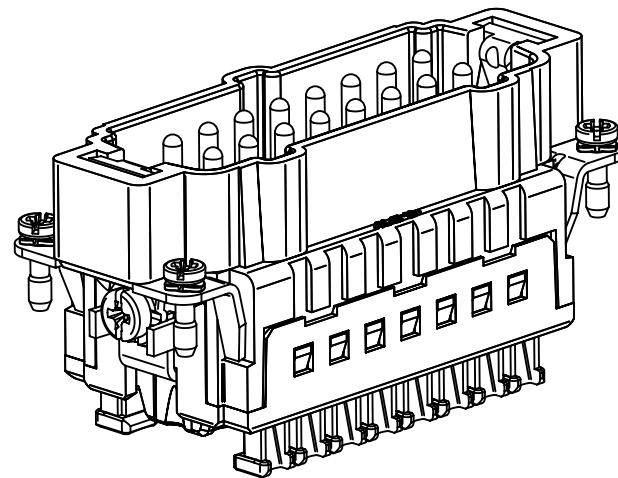
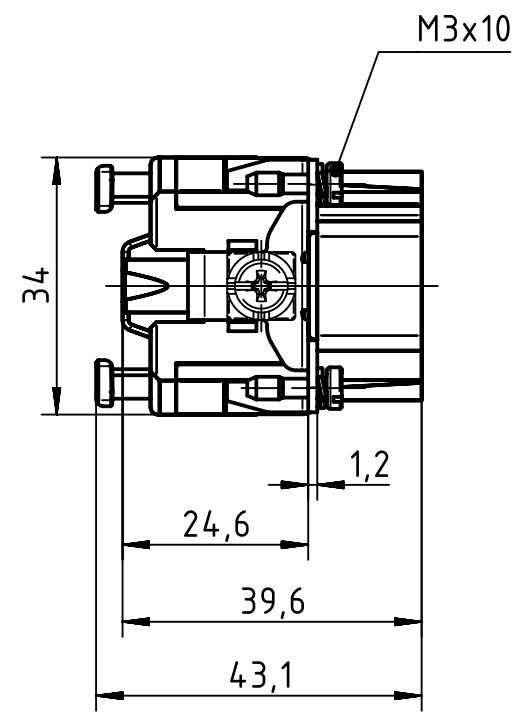
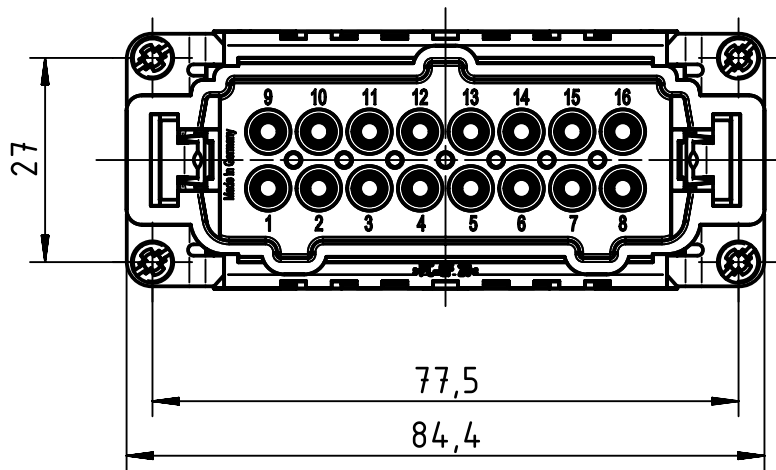
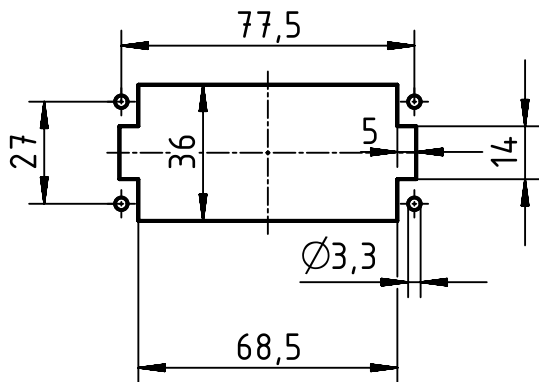


panel cut out 1:2



	All Dimensions in mm Original Size DIN A4		Scale 1:1	Free size tol.		Ref.	
						Sub.	
	All rights reserved Department EL PD - DE		Created by MOELLERLI	Inspected by RUETERA	Standardisation TIEMANNA	Date 2016-04-11	State Final Release
	HARTING Electric GmbH & Co. KG D-32339 Espelkamp		Title Han 16ES Press - M			Doc-Key / ECM-Nr. 100622583/UGD/001/B 500000103088	
			Type TB	Number 09 33 016 2648		Rev. B	Page 1/1