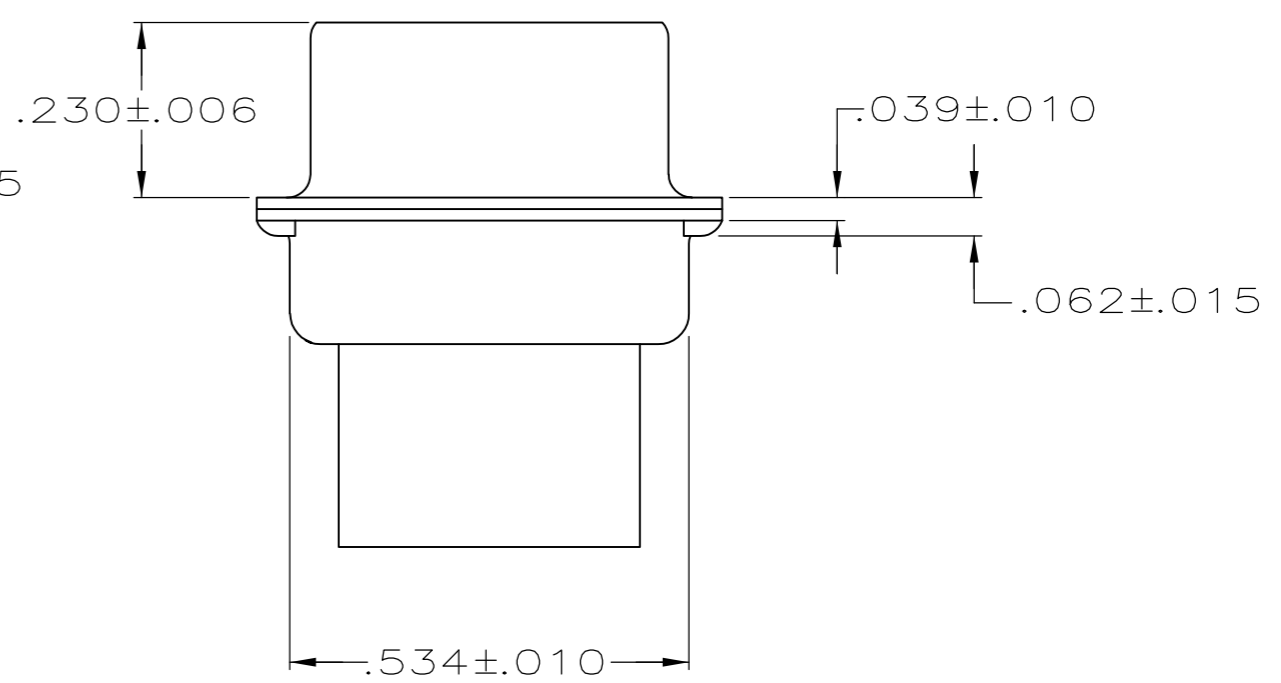
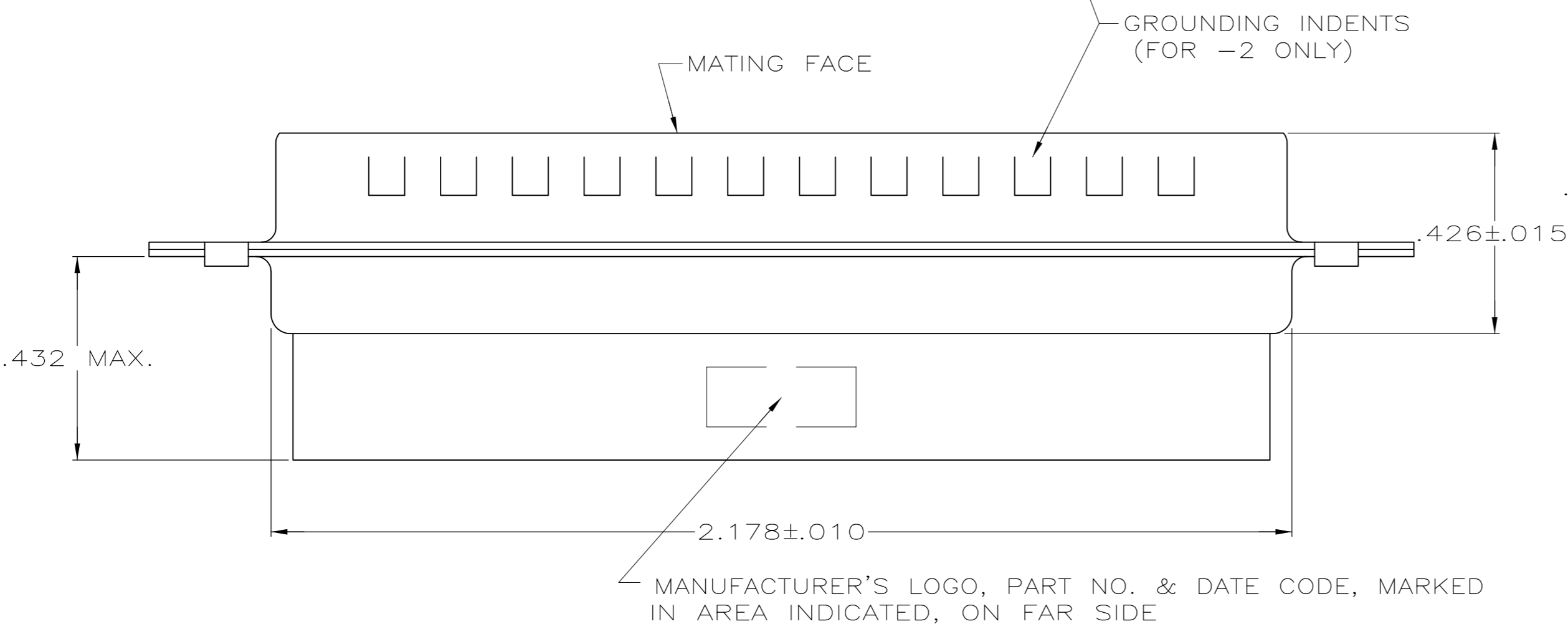
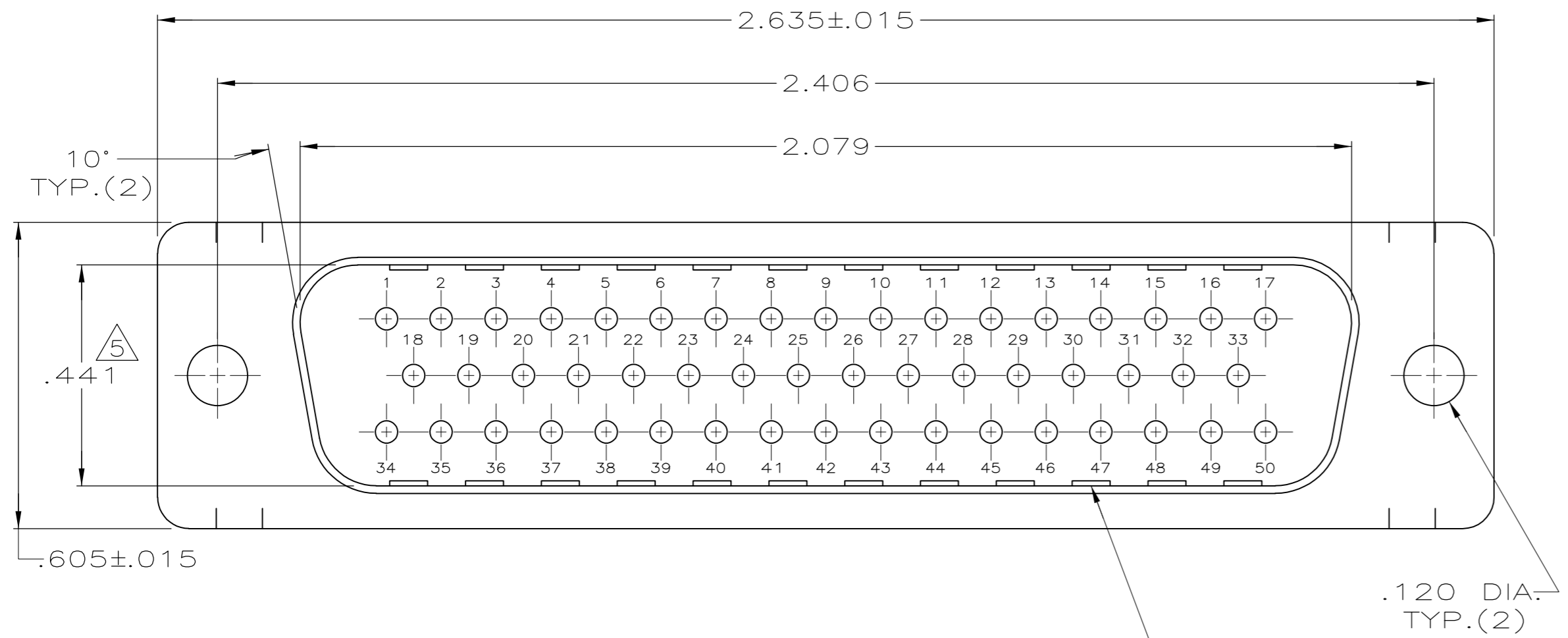


THIS DRAWING IS UNPUBLISHED. RELEASED FOR PUBLICATION
 © COPYRIGHT - By - ALL RIGHTS RESERVED.

LOC	DIST	REVISIONS					
GP	00	P	LTR	DESCRIPTION	DATE	DWN	APVD
		D		REVISED PER ECO-11-002006	11APR2011	CJV	CWR



- 1. CONNECTOR ACCEPTS SIZE 20 DF PIN CONTACTS, RETENTION TINES ARE AN INTEGRAL PART OF INSERT.
- 2 MATERIAL: MOLDED PARTS - FLAME RETARDANT 94V-0 RATED, GLASS FILLED NYLON, BLACK. SHELLS - STEEL PER ASTM A109.
- 3 FINISH: SHELL - .000200 MIN TIN PLATE OVER .000100 MIN COPPER UNDERPLATE.
- 4 FINISH: SHELL - ZINC PLATED .000200-.000400 THICK, YELLOW CHROMATE COATING.
- 5 THIS DIMENSION IS .441±.010 FOR -2.

STANDARD	4	NO	1658641-3
STANDARD	3	YES	1658641-2
STANDARD	3	NO	1658641-1
PACKAGING TYPE	FINISH	GROUNDING INDENTS	PART NO.

THIS DRAWING IS A CONTROLLED DOCUMENT.

DWN	J.REITZEL	29JUL03
CHK	S.BOLASH	29JUL03
APVD	M.WALMSLEY	29JUL03

TE Connectivity

NAME: PLUG CONNECTOR, SIZE 5, 50 POS., AMPLIMITE™ HDP

PRODUCT SPEC: 108-40005

APPLICATION SPEC: 114-40030

WEIGHT: -

CUSTOMER DRAWING

SCALE: 4:1

SHEET: 1 of 1

REV: D