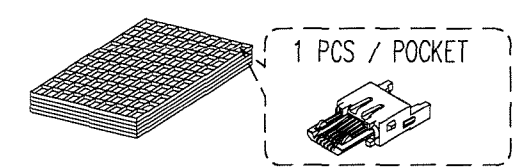


1 2 3 4 5 6 7 8

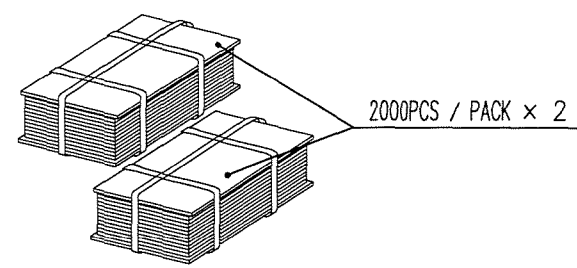
COUNT	DESCRIPTION OF REVISIONS	BY	CHKD	DATE	COUNT	DESCRIPTION OF REVISIONS	BY	CHKD	DATE
△					△				
△					△				
△					△				

Fig - 1 PACKING SPECIFICATION -IN THE CASE OF 4000 PCS-

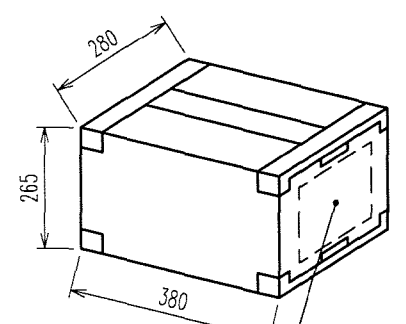
1 . STORED IN A TRAY (200PCS / TRAY)



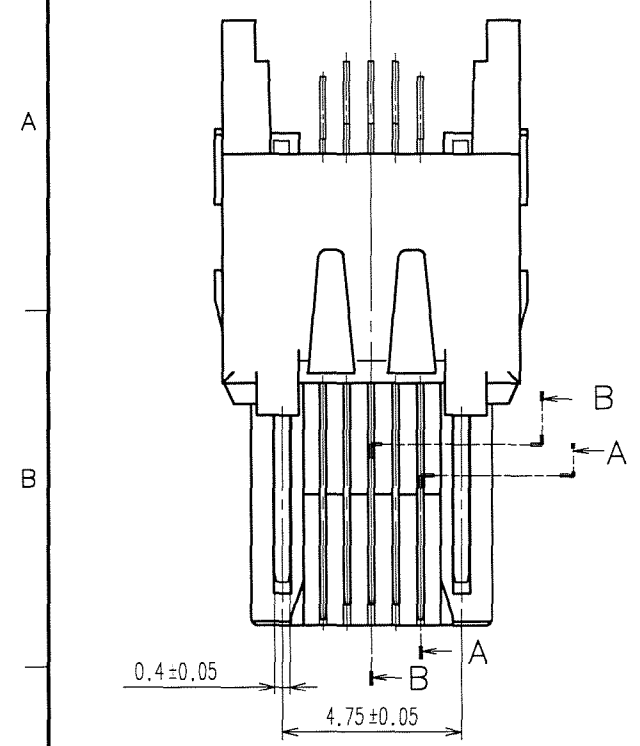
2 . BANDED FOR A PACK



3 . STORED IN A CARTON BOX

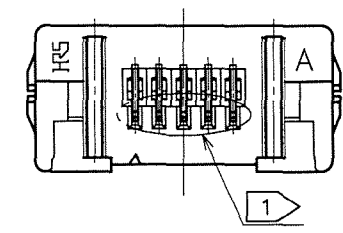
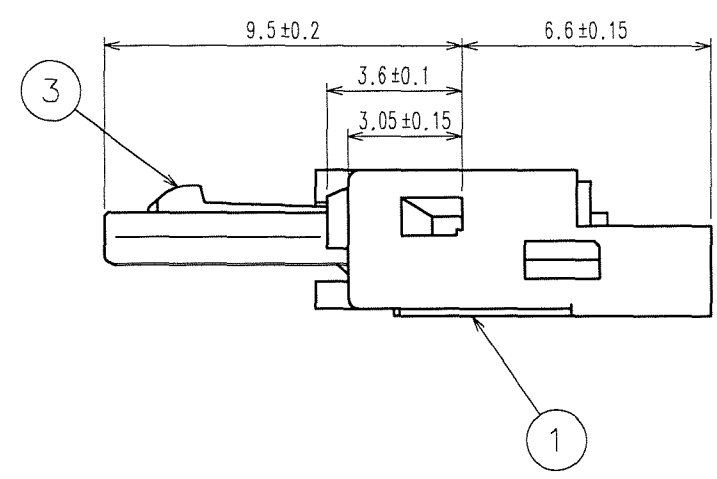
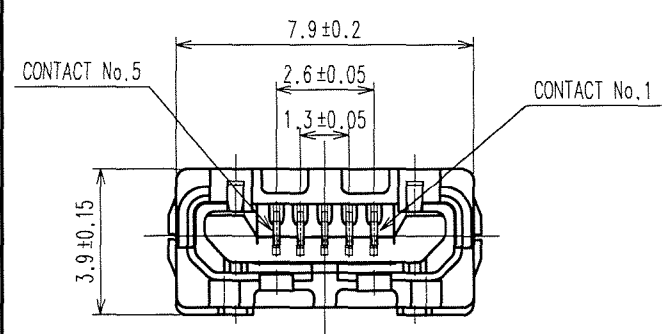
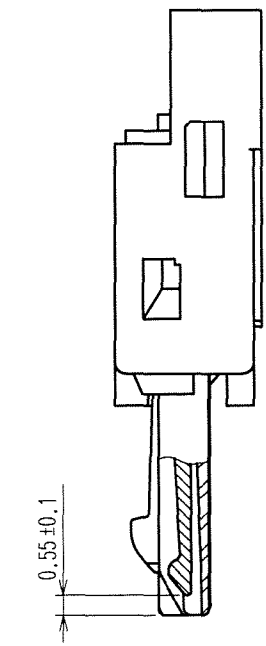
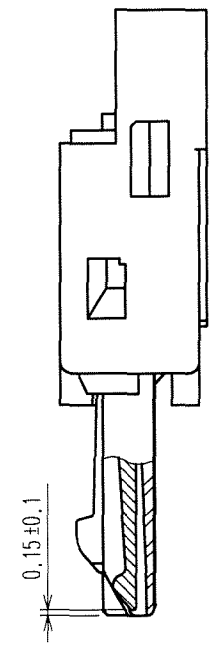


SHOWN AS FOLLOWS;  
 - Part No.  
 - Code No.  
 - QTY  
 - Lot No.



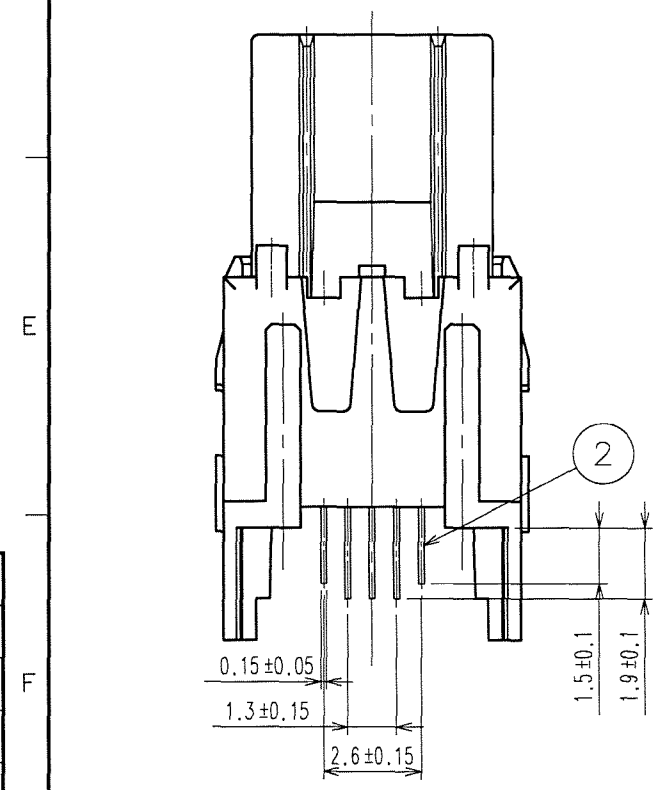
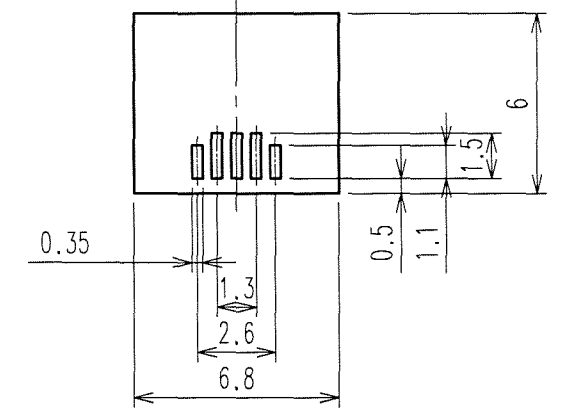
A-A (CONTACT No1,5)

B-B (CONTACT No2~4)



MOUNTING FIGURE

RECOMMENDED PCB PATTERN(4:1)  
(t=1 MAX)



NOTE 1 CONTACT CO-PLANARITY TO BE 0.1 MAX.  
 2 . PLEASE REFER TO THE ASSEMBLY MANUAL, ATAD-E2703 ,FOR DETAIL.

2	COPPER ALLOY	UNDER PLATING:NICKEL 2μm MIN. CONTACT AREA:GOLD 0.75μm MIN. LEAD AREA:TIN 1μm MIN.	3	STAINLESS STEEL	
1	POLYAMIDE	BLACK UL94V-0			
NO.	MATERIAL	FINISH, REMARKS	NO.	MATERIAL	FINISH, REMARKS
CODE NO. (OLD)			DRAWN DESIGNED CHECKED APPROVED RELEASED		
DRAWING NO.		PART NO.			
5 : 1		ZX64-B-5S-UNIT(O2)			
UNITS		CODE NO.			
mm		CL242-0009-3-02		1/2	

TO

3 Fig - 2 SHIELDING-PLATE ASSEMBLY

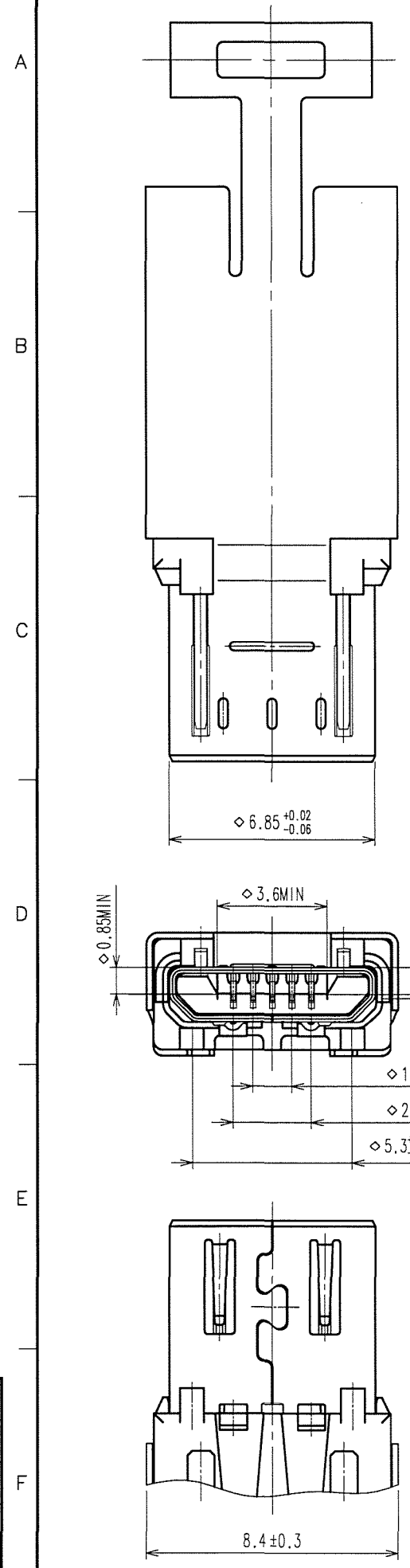
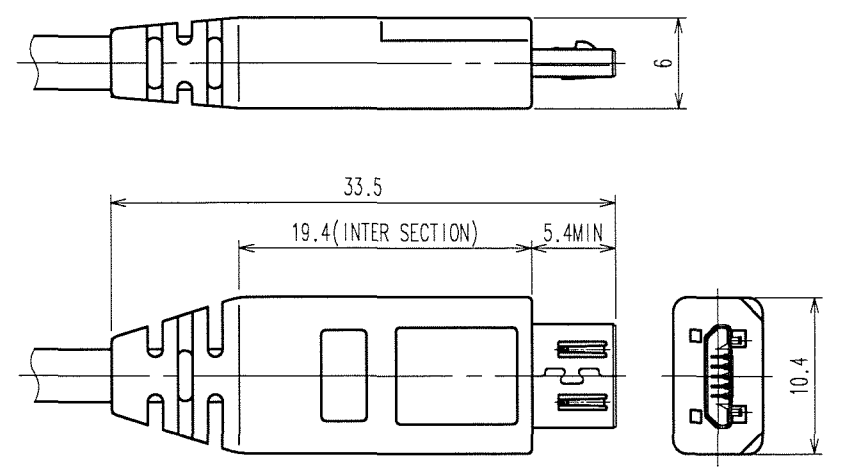


Fig - 3 OVER-MOLDING(REFERENCE)



3 ZX64-B-SLDA  
CODE: CL242-0013-0

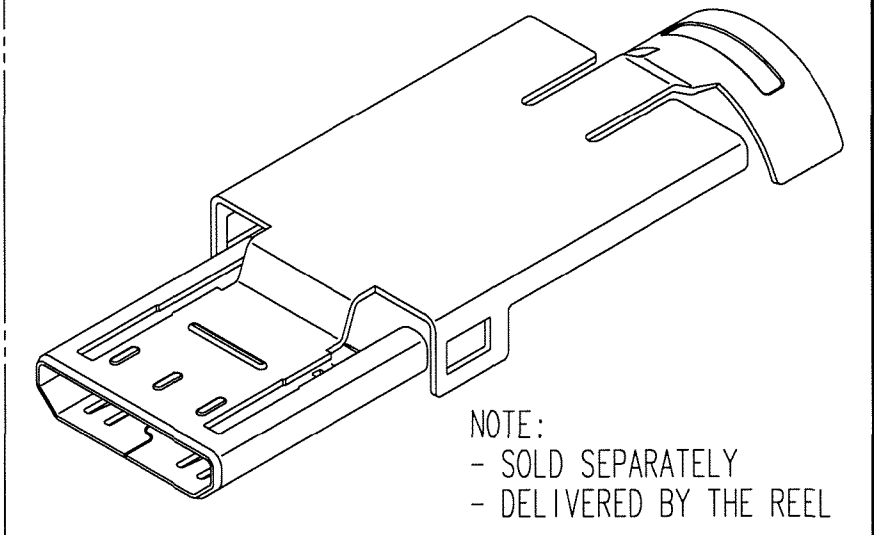
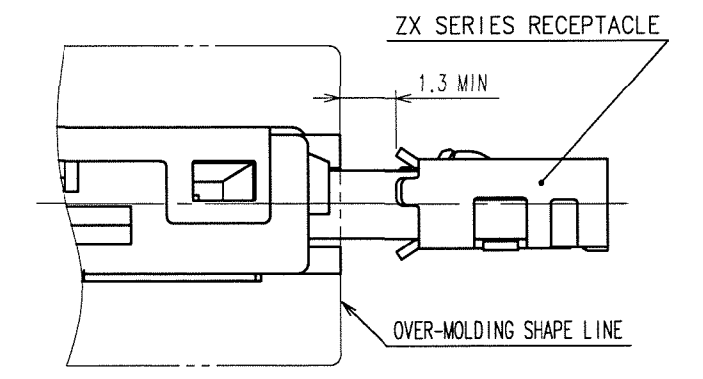


Fig - 4 MATED CONDITION



NOTES 3 SHIELDING-PLATES, ZX64-B-SLDA ARE USED FOR ASSEMBLY.  
4 \*◇ \*SYMBOL ADDED TO EACH DIMENSION MEANS CRITICAL DIMENSION ON USB SPECIFICATION. PLEASE CHECK THEM AFTER OVER-MOLDING.

NO.	MATERIAL	FINISH, REMARKS	NO.	MATERIAL	FINISH, REMARKS
CODE NO. (OLD)			DRAWN	DESIGNED	CHECKED
			<i>M. Shingawa</i>	<i>M. Shingawa</i>	<i>R. Koyama</i>
			07.1.31	07.1.31	07.01.31
			APPROVED	RELEASED	
			<i>[Signature]</i>		
			07.01.31		
DRAWING NO. EDC3-125961-01			PART NO. ZX64-B-5S-UNIT(02)		
SCALE 5 : 1			CODE NO. CL242-0009-3-02		
UNITS mm			2		
HRS HIROSE ELECTRIC CO., LTD					

TO