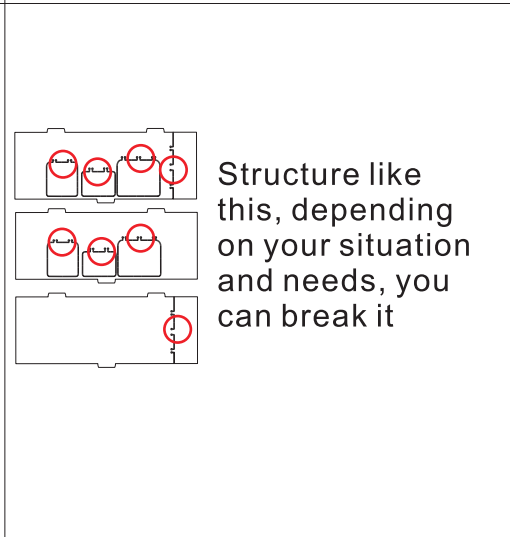
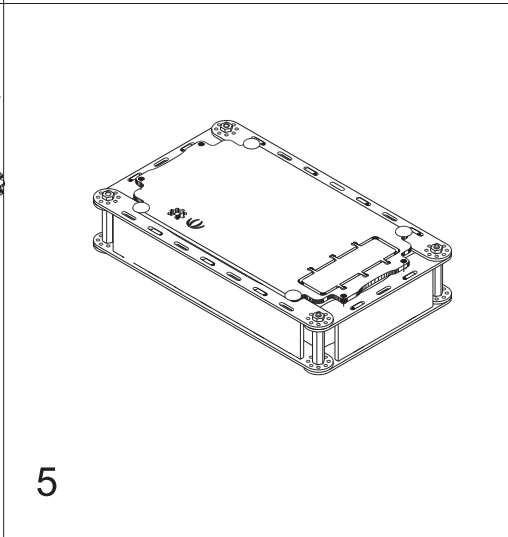
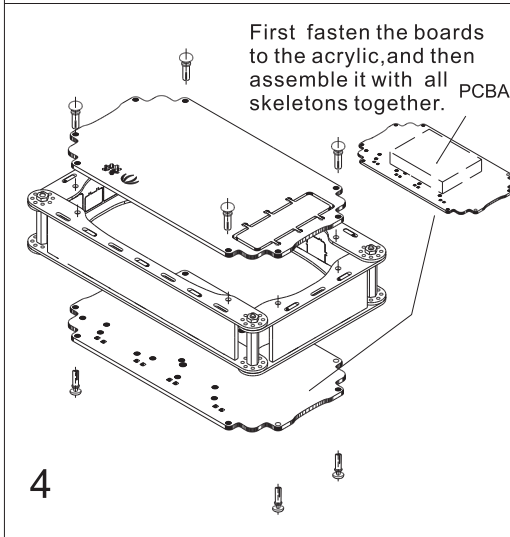
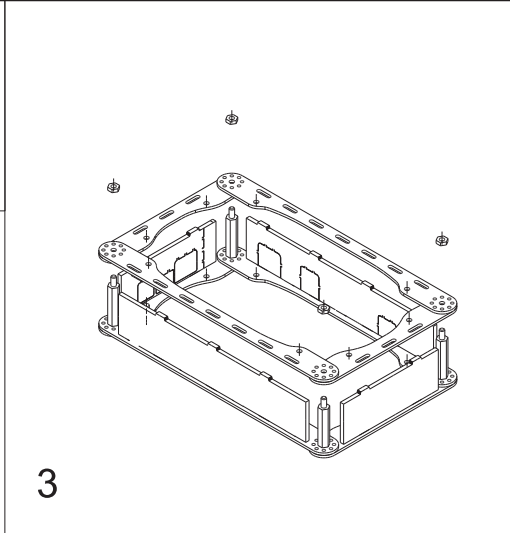
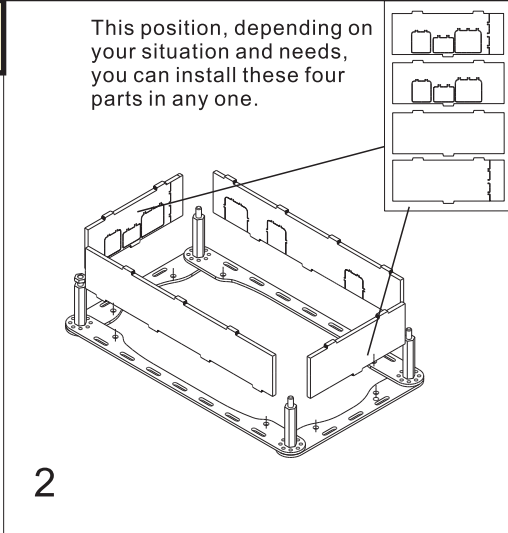
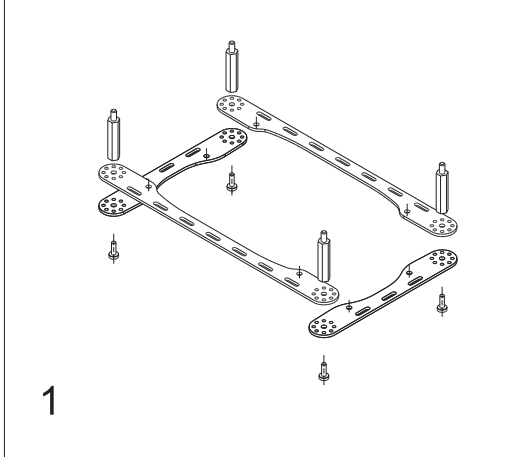


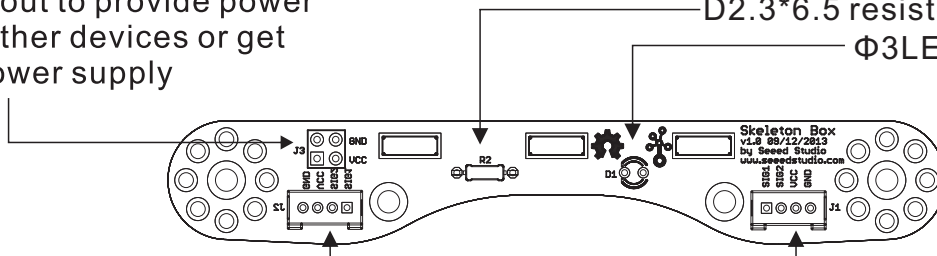
Skeleton box 17X10



Can break out to provide power supply to other devices or get external power supply

D2.3*6.5 resistor can be soldered here

Φ3LED can be soldered here



Grove interface can be soldered here. These 2 Groves form a parallel circuit

M3	M3*8	M3*26+6	R3080	2056	Φ3	Φ3	220Ω	Grove-4P
4pcs	4pcs	4pcs	12pcs	8pcs	4pcs	4pcs	4pcs	8pcs