

Model No: FSL-1830R03-08

Rev: 1

Product Line: Tymphany

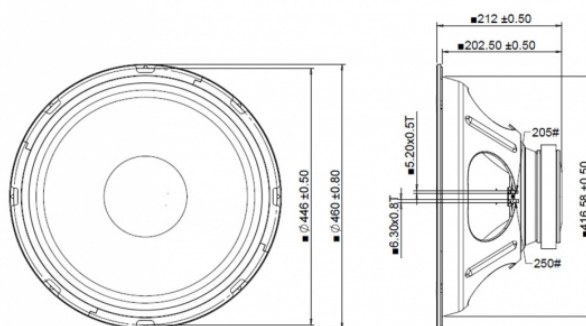
Last Update: 2017-04-21 12:39:42

Product Description

This 18 inch 8 ohm speaker features a FEA optimized ferrite magnet motor, a 3 inch high-temperature voice coil, the yoke with vents can cool magnet system, and a high strength stamped steel frame. Kevlar loaded non-pressed paper cone to help dampen and control cone resonance. The multi-roll surround and spider have been optimized to reduce distortion over the excursion range of this transducer.



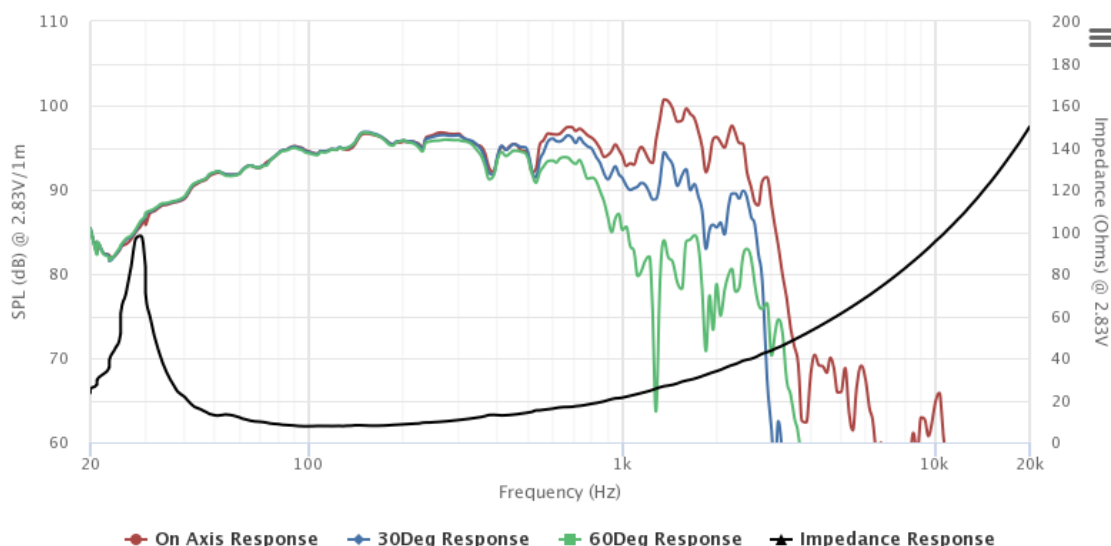
Mechanical Drawing



Specifications

DC Resistance	Revc	Ohms	5.32	5.0%	Energy Bandwidth Product	EBP	(1/Qes)*fs
Minimum Impedance	Zmin	Ohms	7.66	7.5%	Moving Mass	Mms	g
Voice Coil Inductance	Le	mH	1.64		Suspension Compliance	Cms	um/N
Resonant Frequency	Fs	Hz	32.16	15%	Effective Cone diameter	D	cm
Mechanical Q Factor	Qms		6.31		Effective Piston Area	Sd	cm ²
Electrical Q Factor	Qes		0.36		Effective Volume	Vas	L
Total Q Factor	Qts		0.34		Motor Force Factor	BL	Tm
Ratio Fs/Qts	F	Fs/Qts	93.49		Motor Efficiency Factor	β	(T*M ²)/Ohms
Half Space Sensitivity @2.83V	db@2.83V/1M	dB	94.73	+/- 1.0db	Voice coil former Material	VCfm	GSV
Half Space Sensitivity @1W/1M	db@1W/1M	dB	94.5	+/- 1.0db	Voice coil inner diameter	VCd	mm
Gap Height	Gh	mm	8		Rated Noise Power	P	W
Maximum Linear Excursion	Xmax	mm	6		Test Spectrum Bandwidth		40Hz-400Hz
Ferrofluid Type	FF				Driver Size	Inch	18 in
Driver Mass	Kg		7.1				

Frequency and Impedance Response



Highcharts.com