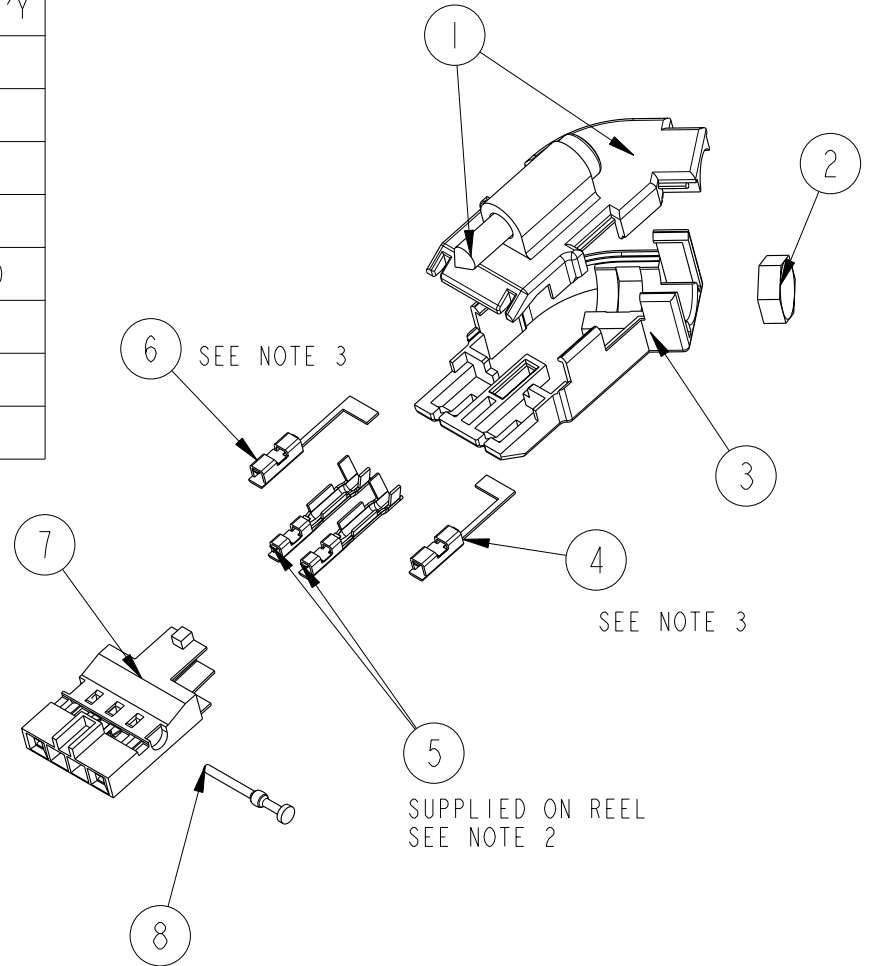


ITEM NO.	DESCRIPTION	10074342-001LF	10074342-002LF
		QTY REQ'D PER ASS'Y	QTY REQ'D PER ASS'Y
1	TOP COVER & SCREW	1	1
2	STRAIN RELIEF	1	1
3	BOTTOM COVER	1	1
4	HCC TERMINAL LEFT	1	NONE
5	PV TERMINAL	2 (SEE NOTE 2)	2 (SEE NOTE 2)
6	HCC TERMINAL RIGHT	1	NONE
7	MINI ROD HOUSING	1	1
8	RETENTIVE ROD	1	1

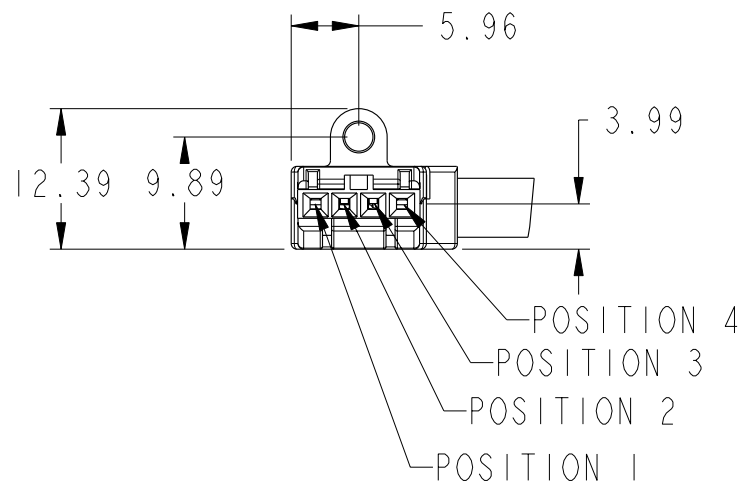
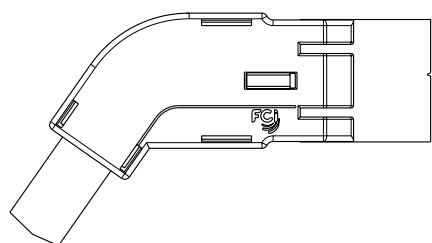
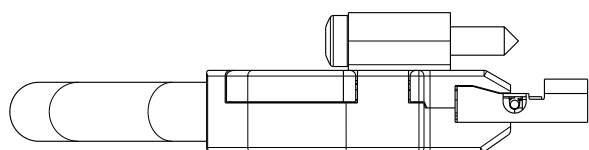
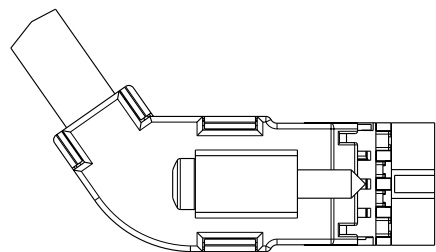


Copyright FCI.

rev	ecn no	dr	date
A	M07-0084	MHT	2007-02-01
-	-	-	-
-	-	-	-
-	-	-	-
-	-	-	-
-	-	-	-

www.fciconnect.com		surface ASM Y14.5	tolerance std ASM Y14.5	projection MM
		TOLERANCES UNLESS OTHERWISE SPECIFIED		
Dr	M.HERNANDEZ	2006-11-10	ANGULAR	size A4
Eng	S.FIERRO	2006-11-10	LINEAR	Scale 1:1
Chr	S.FIERRO	2006-11-10	0° ±2°	ECN M07-0084
Appr	S.FIERRO	2006-11-10	Product family	Spec ref
FCI		MINI PV POWER CONNECTOR		dwg no 10074342
		FINAL ASSEMBLY, FCI LOGO		Rev. A
catalog no		CUSTOMER		sheet 1 of 2

PRODUCT NUMBER
10074342-XXX



NOTES:

1. PART NUMBERS WITH "LF" SUFFIX ARE LEAD FREE.
- ② 2 PV TERMINALS ARE REQUIRED, BUT NOT SUPPLIED WITH KIT. PV P/N 47566-000LF, ORDERED SEPERATELY ON REELS. SEE ITEM 6 IN TABLE.
- ③ NOT USE THE TERMINALS FOR P/N: 10074342-002LF.

	TITLE MINI PV POWER CONNECTOR FINAL ASSEMBLY, FCI LOGO	dwg no 10074342	Rev. A
	catalog no -	CUSTOMER	sheet 2 of 2

