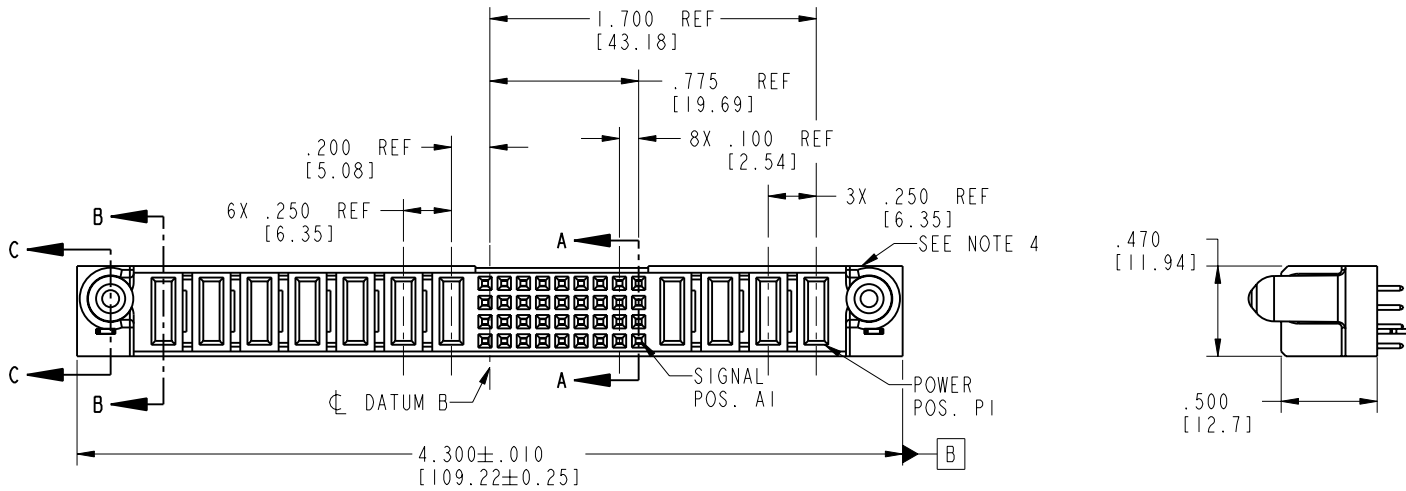


Tous droits strictement réservés. Reproduction ou communication o des liens interdité sous quelque forme que ce soit sans autorisation écrite du propriétaire. Propriété de c FCI. Droits de reproduction FCI.



All rights strictly reserved. Reproduction or issue to third parties in any form, whenever is not permitted without written authority from the proprietor. Property of FCI. Copyright FCI.

PRODUCT NO. 51750-062-- NOTE ③	ROWS D C B A	POWER								SIGNAL								POWER				
		E2	P11	P10	P9	P8	P7	P6	P5	9	8	7	6	5	4	3	2	1	P4	P3	P2	P1
			PA	PA	PA	PA	PA	PA	PA	E	E	E	E	E	E	E	E	PD	PD	PA	PA	



CODE	DIM "M" MATING LENGTH	CONTACT TYPE
E	N/A [N/A]	SIGNAL
PA	.042 [1.07]	POWER
PD	.092 [2.34]	POWER
HA	N/A [N/A]	HOLD-DOWN

mat'l code				SEE NOTE 2		tolerances unless otherwise specified		CUSTOMER		 www.fciconnect.com	
ltr	ecn no.	dr	date	linear	.XX±.01/0.X±0.3		COPY		 INCH/MM	title	
A	V04-0689	TAB	07/06/04		.XXX±.005/0.XX±0.13		projection			4P + 36S + 7P	
B	V04-1133	TAB	12/01/04		.XXX±.0020/0.XXX±0.051		 scale			VERTICAL SOLDER RECEPT	
C	DG05-0504	GuoJM	11/29/05	angles	0°±?		product family		PwrBlade		
				dr	T. BRUNGARD	07/06/04	size		dwg no		
				engr	M. GRAY	07/06/04	A		51750-062		
				chr	M. GRAY	07/06/04	code		213		
				appd	M. GRAY	07/06/04	sheet		1 of 4		
sheet index		revision sheet		C	C	C	C	cage code		22526	
1		2		3	4					4	

1 | 2

3 |

4

1 | 2

Pro/E

3 |

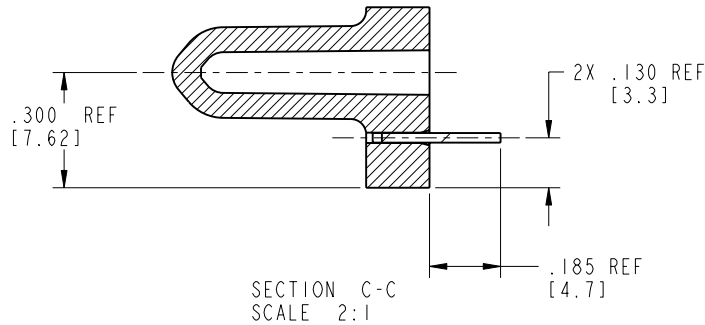
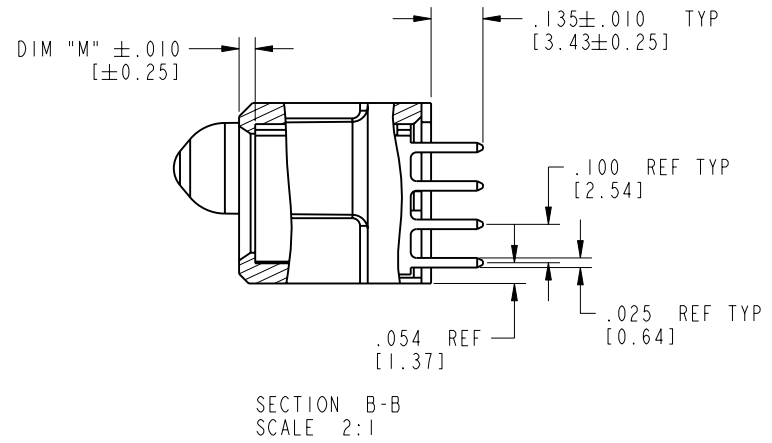
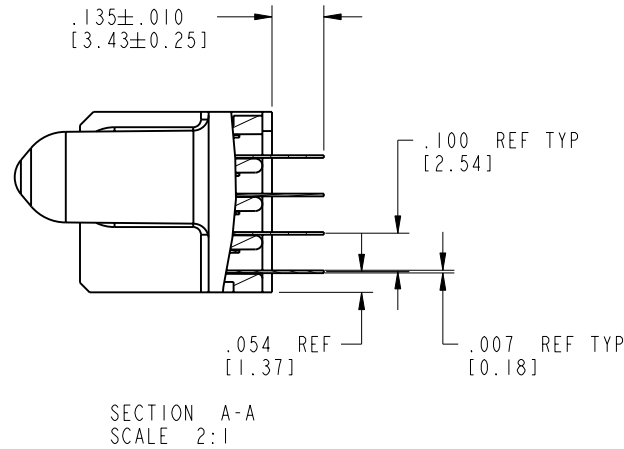
cage code 22526


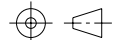
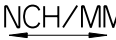
4

Tous droits strictement réservés. Reproduction ou communication o des liers interdite sous quelque forme que ce soit sans autorisation écrite du propriétaire. Propriete de c FCI. Droits de reproduction FCI.

All rights strictly reserved. Reproduction or issue to third parties in any form, whatever is not permitted without written authority from the proprietor. Property of FCI. Copyright FCI.

PRODUCT NUMBER
51750-062--
NOTE ③



mat'l code		SEE NOTE 2		tolerances unless otherwise specified		CUSTOMER		 www.fciconnect.com	
lfr	ecn no.	dr	date	linear	.XX±.01/0.X±0.3	COPY			
C				projection	.XXX±.005/0.XX±0.13			title	
				angles	.XXX±.0020/0.XXX±0.051			4P + 36S + 7P	
				dr	T. BRUNGARD 07/06/04			VERTICAL SOLDER RECEIPT	
				engr	M. GRAY 07/06/04			product family	
				chr	M. GRAY 07/06/04	scale 1:1		product size	
				appd	M. GRAY 07/06/04			A	
sheet index		revision sheet						code	
								22526	

Pro/E

cage code 22526

PDM: Rev:C

STATUS: Released

Printed: Dec 20, 2010

Tous droits strictement réservés. Reproduction ou communication o des liers interdite sous quelque forme que ce soit sans autorisation écrite du propriétaire. Propriete de c FCI. Droits de reproduction FCI.

A **FCI**

All rights strictly reserved. Reproduction or issue to third parties in any form, whenever is not permitted without written authority from the proprietor. Property of FCI. Copyright FCI.

A

B

PRODUCT NUMBER

51750-062__

NOTE (3)

NOTES:

1. DIMENSIONS AND TOLERANCES ARE IN ACCORDANCE WITH ASME Y14.5M, 1994 UNLESS OTHERWISE SPECIFIED.

CONNECTOR NOTES:

(2) HOUSING MATERIAL: UL 94 V-0 GLASS FILLED

HIGH-TEMP THERMOPLASTIC

POWER CONTACT MATERIAL: COPPER ALLOY

SIGNAL PIN MATERIAL: COPPER ALLOY

3. PLATING:

51750-062 Singal Pin:30u"/0.76um Au OVER 50u"/1.27um Ni ON THE CONTACT AREA.
AND 100u"/2.54um SnPb PLATING OVER 50u"/1.27um Ni ON THE TERMINATION SECTION.
Power Pin:30u"/0.76um Au OVER 50u"/1.27um Ni ON THE CONTACT AREA,
AND 100u"/2.54um SnPb PLATING OVER 50u"/1.27um Ni ON THE TERMINATION SECTION.

51750-062LF Singal Pin:30u"/0.76um Au OVER 50u"/1.27um Ni ON THE CONTACT AREA.
AND 78u"/2.00um Sn PLATING OVER 50u"/1.27um Ni ON THE TERMINATION SECTION.
Power Pin:30u"/0.76um Au OVER 50u"/1.27um Ni ON THE CONTACT AREA,
AND 78u"/2.00um Sn PLATING OVER 50u"/1.27um Ni ON THE TERMINATION SECTION.

PART NUMBER 51750-062LF MEETS EUROPEAN UNION DIRECTIVE AND OTHER COUNTRY REGULATIONS AS DESCRIBED IN GS-22-008.

THE HOUSING WILL WITHSTAND EXPOSURE TO 260° PEAK TEMPERATURE FOR 10 SECONDS IN A WAVE SOLDER APPLICATION WITH A CIRCUIT BOARD.

(4) MANUFACTURER'S NAME, P/N, AND DATE CODE TO APPEAR ON THIS SURFACE.

5. PRODUCT SPECIFICATION GS-12-149.
APPLICATION SPECIFICATION BUS-20-067.

6. PACKAGED IN TRAYS.

PCB NOTES:


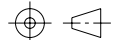
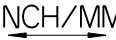
7. ALL HOLE DIAMETERS ARE FINISHED HOLE SIZE.

(8) MOUNTING HOLES, WHERE APPLICABLE, ARE UNPLATED.

(9) $\varnothing .0453 \pm .0010$ [1.151 ± 0.025] DRILLED HOLES PLATED WITH
.0003 [0.008] MIN SnPb OVER .001 [0.03]
TO .003 [0.08] Cu PLATING TO ACHIEVE
 $\varnothing .040 \pm .003$ [$1.02 \pm .07$] HOLE.

(10) "DIM XXX" TO BE DETERMINED BY THE CUSTOMER.

(11) CONNECTOR KEEP-OUT ZONE.

mat'l code		SEE NOTE 2		tolerances unless otherwise specified		CUSTOMER		 FCI www.fciconnect.com	
ltr	ecn no.	dr	date	linear	.XX±.01/0.X±0.3	COPY			
C				linear	.XXX±.005/0.XX±0.13	projection			
				angles	.XXX±.0020/0.XXX±0.051	INCH/MM			
				dr	T. BRUNGARD 07/06/04	scale			
				engr	M. GRAY 07/06/04	1:1			
				chr	M. GRAY 07/06/04	product family		PwrBlade code 213	
				appd	M. GRAY 07/06/04	size			
sheet index		revision sheet				A		size 51750-062 sheet 4 of 4	

A

B