



PRODUCT DATASHEET

Lenina series

last update 31/10/2016

DETAILS

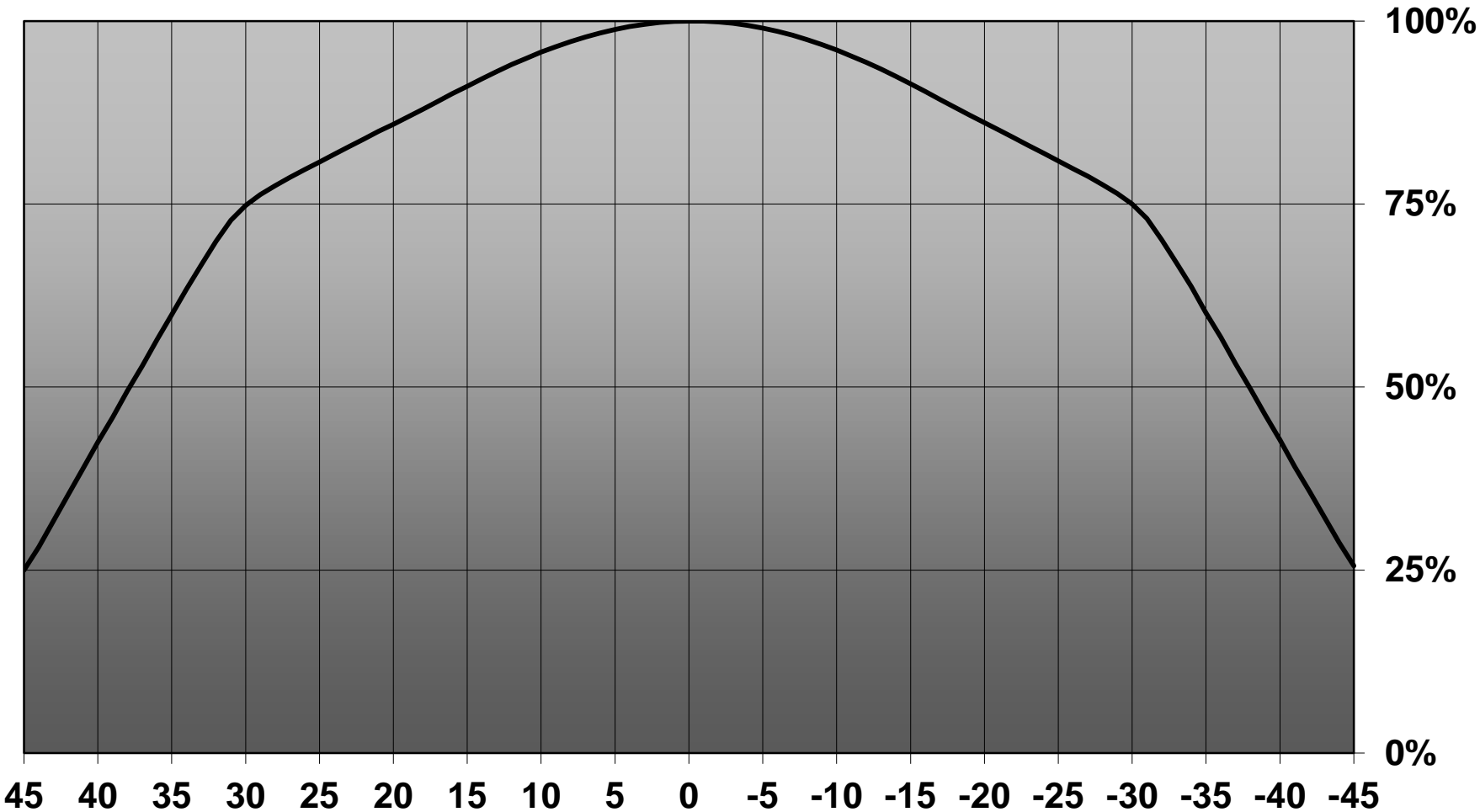
Product Number	CN12961_LENINA-XW
Family	Lenina
Type	RefPack
Color	white
Diameter	74 mm
Height	44,5 mm
Style	round
Optic Material	
Holder Material	
Fastening	socket
Status	production ready
ROHS Compliant	Yes
Date Updated	31/10/2016

OPTICAL PROPERTIES

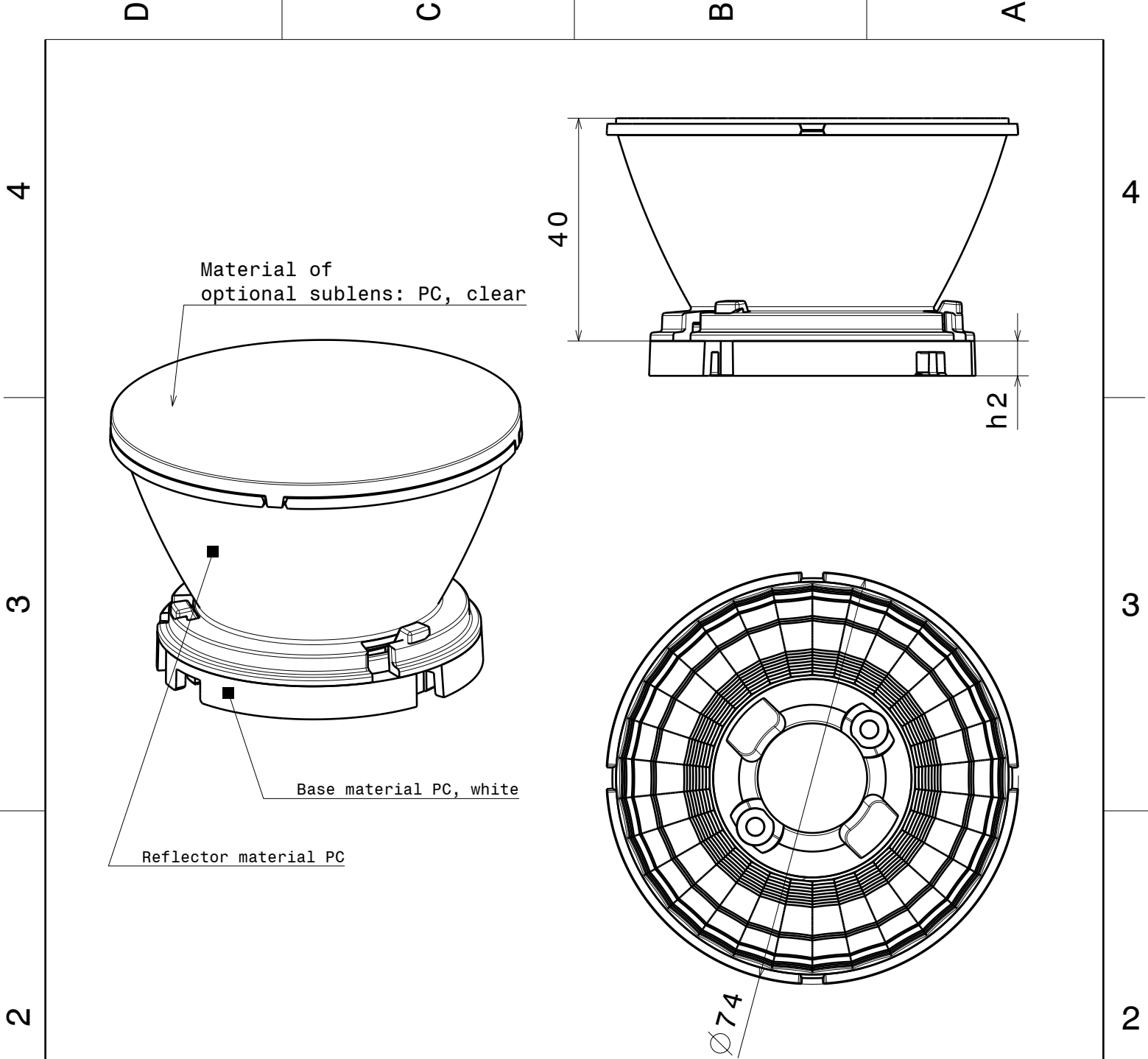
LED	Viewing Angle	Light Beam	Efficiency	cd/lm	Connector
BXRA RS	76 deg	WWW-class	91 %	0.570	-



Absolute intensity of CN12961_LENINA-XW



— CN12961_LENINA-XW



NOTE:

Using optional sublens, add 2.1mm to the system height

Dimension 'h2' varies from 4.5mm to 7mm depending on the LED specific base part

This drawing is our property. It can't be reproduced or communicated without our written agreement.



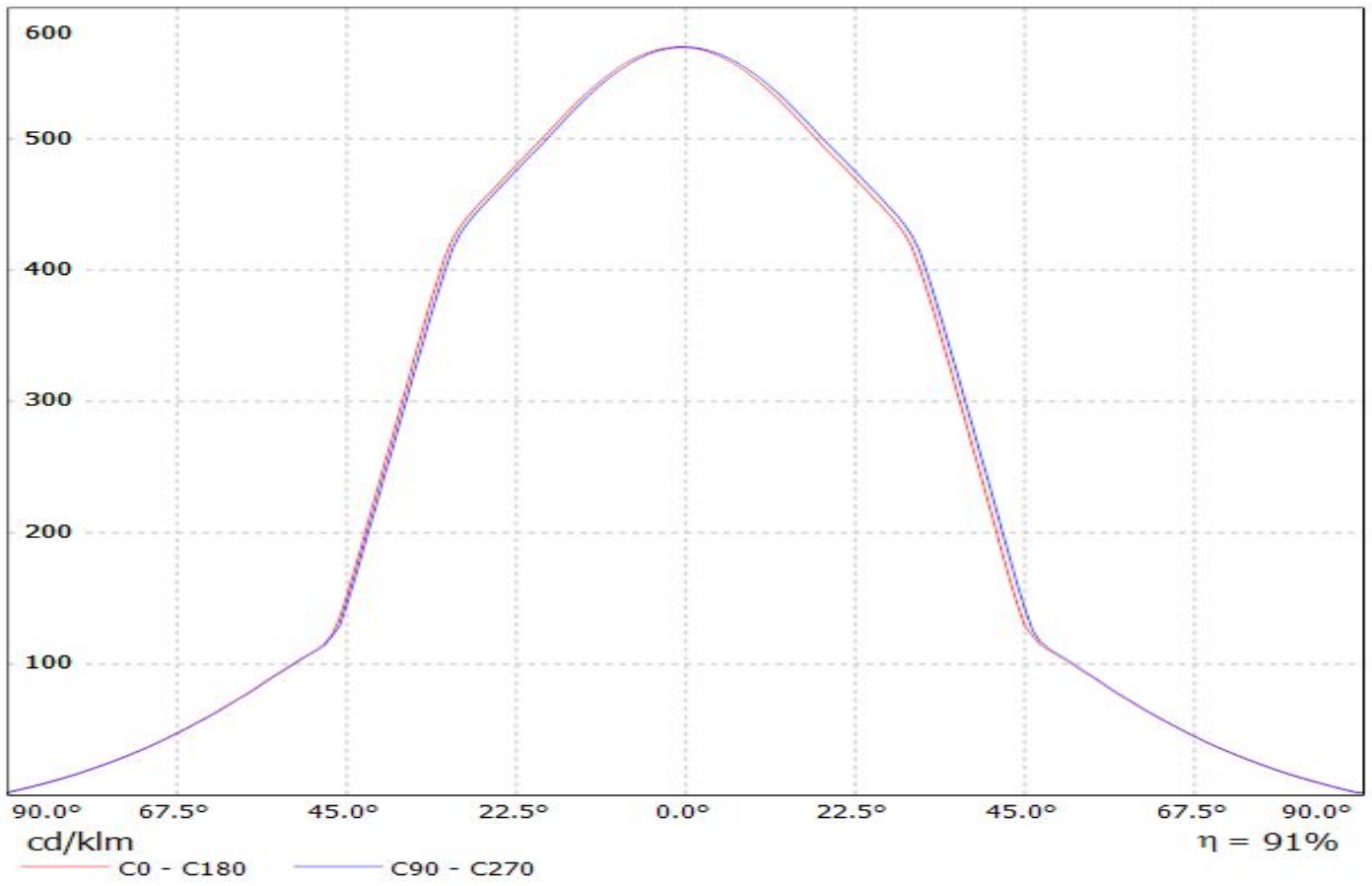
Ledil Oy
Salorankatu 10
FIN-24240 SALO
Finland

DRAWING TITLE

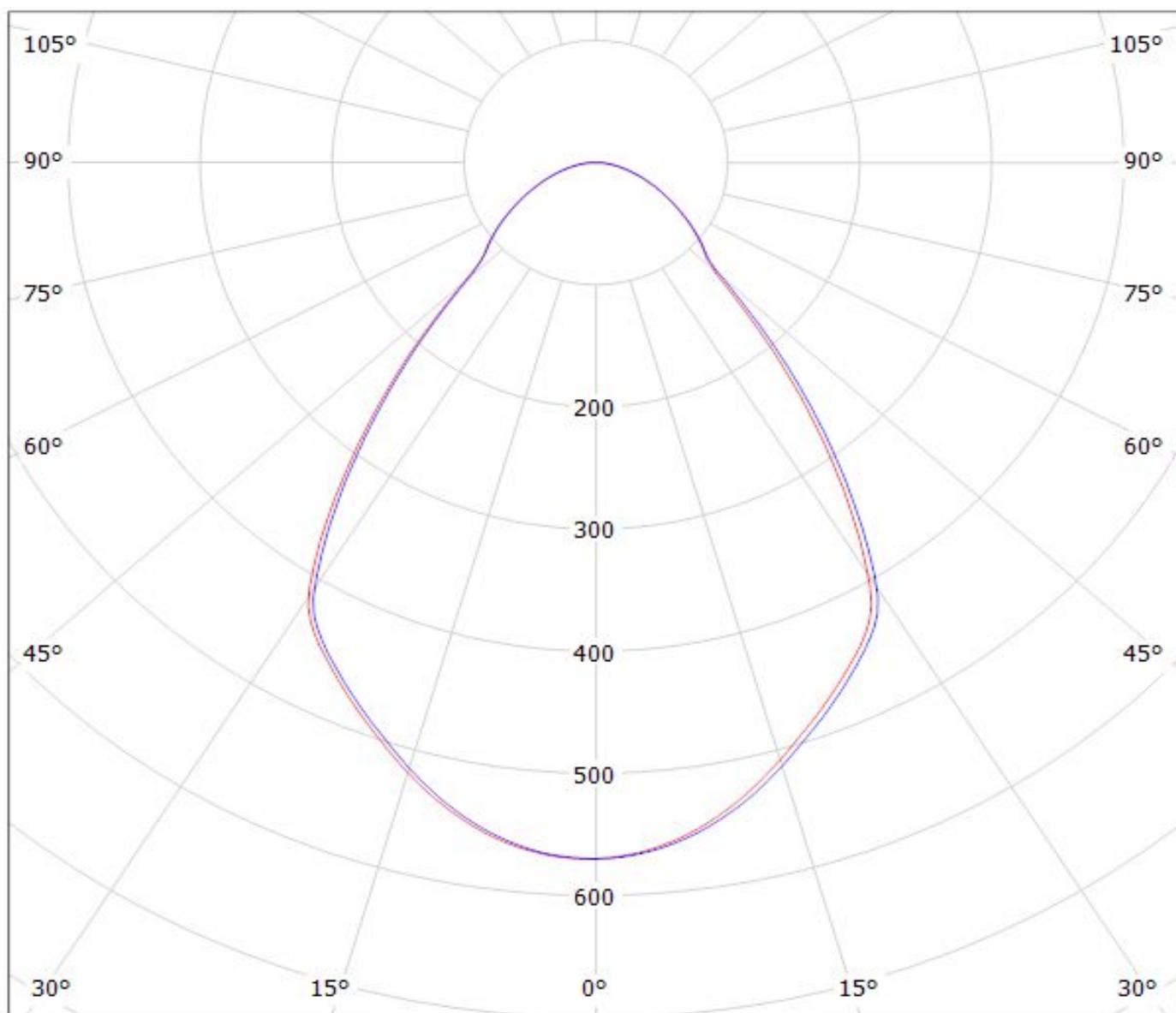
Datasheet Lenina series

DRAWN BY ks		DATE 23.04.2014		SIZE A4		DRAWING NUMBER --		REV 1	
CHECKED BY		DATE						SHEET 1 / 1	
DESIGNED BY pl		DATE 08.03.2012		SCALE 1 : 1		WEIGHT (g)			

Luminaire: LEDIL OY CN12961_LENINA-XW Eff.91.1%
Lamps: 1 x BRXA-RS (608.96lm@250mA)



Luminaire: LEDIL OY CN12961_LENINA-XW Eff.91.1%
Lamps: 1 x BRXA-RS (608.96lm@250mA)



cd/klm

— C0 - C180

— C90 - C270

$\eta = 91\%$

NOTE: The typical divergence will be changed by different color, chip size and chip position tolerance. The typical total divergence is the full angle measured where the luminous intensity is half of the peak value.