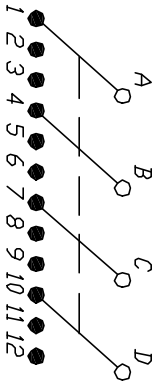
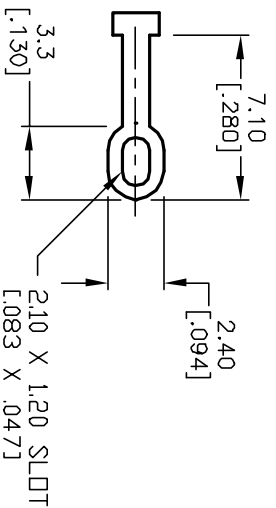


NOTES:

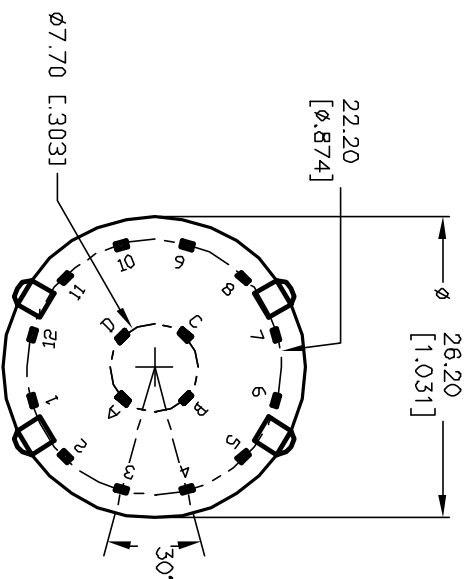
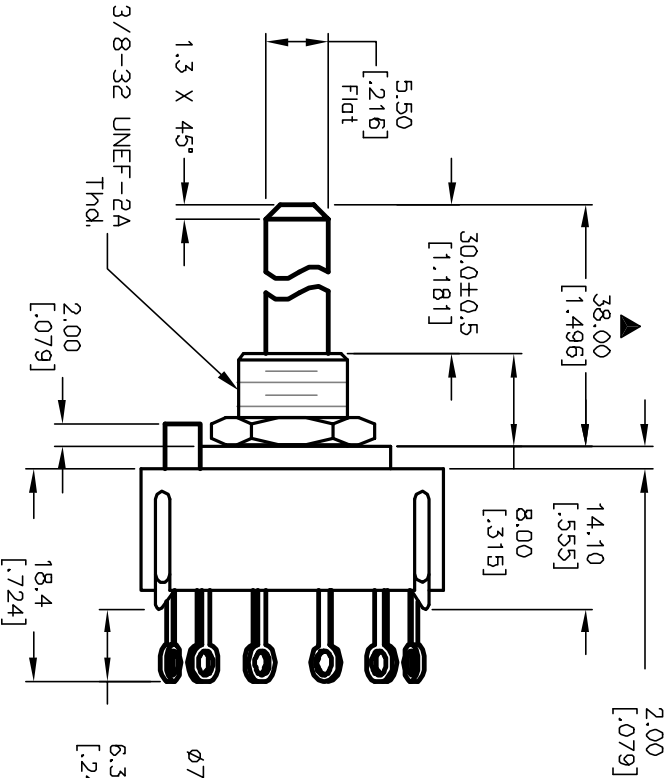
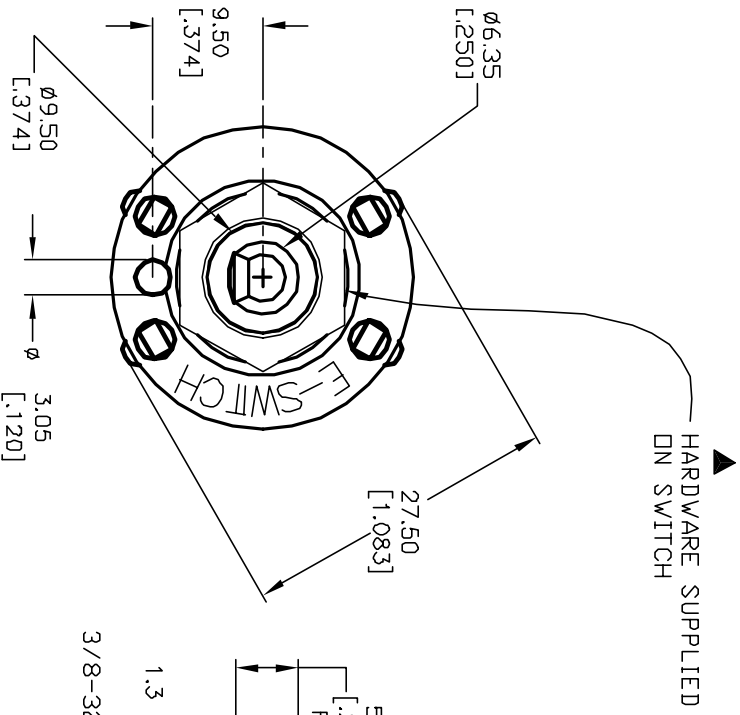
1. ALL DIMENSION IN MM [INCH]
2. GENERAL TOLERANCE: X.X=±0.4
X.XX=±0.25
3. TERM. NOS. FOR REF. ONLY
4. CONTACT RATING SWITCHING: 150mA, 250V AC/DC
350mA, 110V AC/DC
5. OPERATING FORCE: 425±100 CM/STANDARD
6. OPERATING TEMP: -30° to 85°C
7. CIRCUIT 4 Pole; 3 POSITIONS, 30° INDEX.
8. DIELECTRIC STRENGTH: 1000V RMS min.@SEA LEVEL.
9. DESIGNATE MAJOR DIMENSIONS
10. HARDWARE SUPPLIED ON SWITCH -SEE BELOW
LOCKING RING, LOCKWASHER, & HEX NUT.



CONTACT CONFIGURATION
Timing: NON-SHORTING



TERMINATION DETAIL
SCALE 2X



B	12821	REDRAWN	2/19/03	CJB	TITLE	SCALE	DATE	DR	DWG	REV
A	11516	RELEASED FOR PRODUCTION	2/13/01	RJC	KC-43-A-(30.0mm) 01-N-L-S	1.5:1	2/13/01	RJC	G510270	B
REV.	ECN No.	DESCRIPTION	DATE	CHKD						
<p>THE INFORMATION CONTAINED IN THIS DOCUMENT IS PROPRIETARY TO E-SWITCH AND IS NOT TO BE COPIED OR TRANSFERRED</p>										

E-SWITCH®