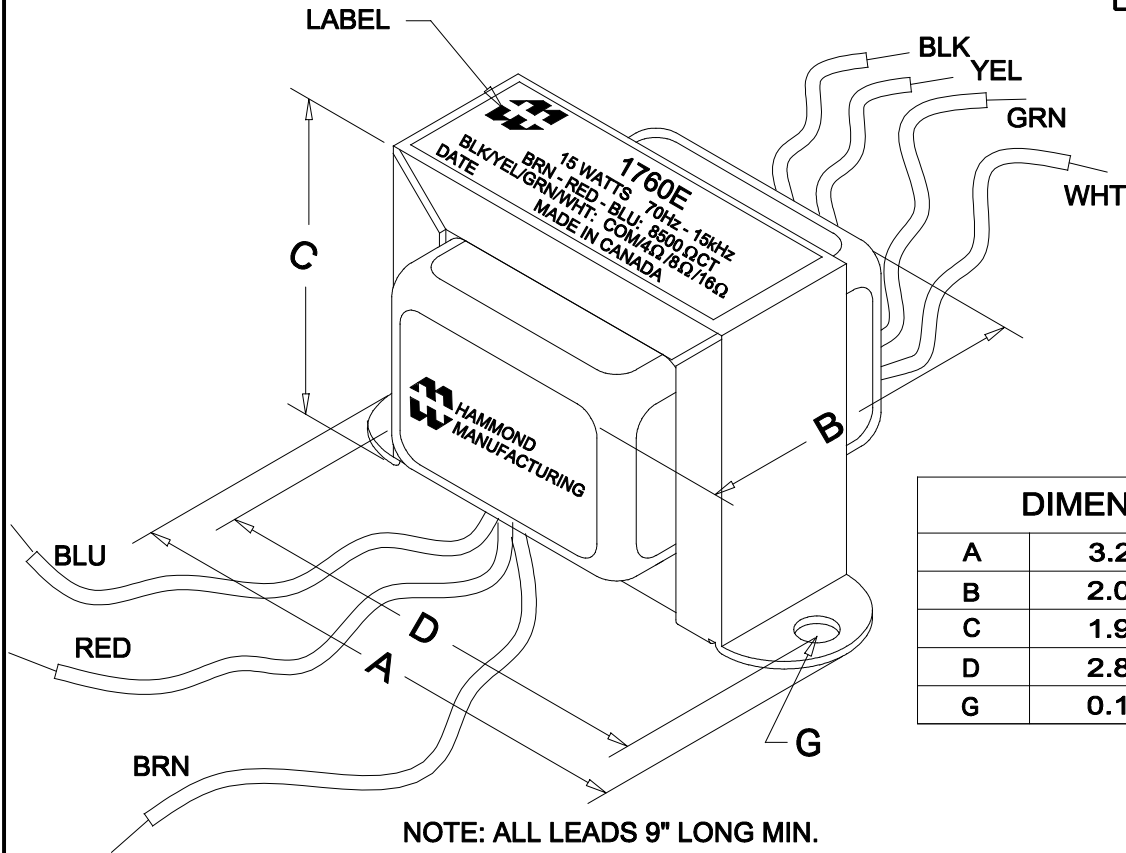
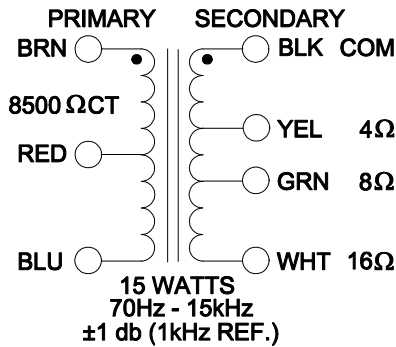


1760E



DIMENSIONS:	
A	3.250" ±0.063
B	2.085" ±0.125
C	1.995" ±0.063
D	2.813" ±0.063
G	0.187" ±0.015

NOTE: ALL LEADS 9" LONG MIN.



**ELECTRICAL DATA:**

Turns ratio:	32.61 : 1 ( 8 ohm tap )
Inductance	@240V,70Hz =>136.42H (Open circuit)
DCR	@ 20C, BLU-RED = RED-BRN = 150 Ohm ±20%
	@ 20C, BRN-BLU=300 Ohm ±20%
	@ 20C, BLK-WHT= 0.450 Ohm ±20%
FREQ. RESP	@15W(346.3V), 70Hz-15kHz, BRN-BLU ±1db (Ref. 1kHz)
Pri. Impedance	8500Ohm (346.3V) CT
Sec. Impedance	4/8/16Ohm (7.746/10.95/15.49V)
Power	15 WATTS

**HAMMOND  
ELECTRONICS**

52 RANKIN PLACE,  
WATERLOO, ONTARIO, N2L 3Z5.  
PHONE (519) 886-6181  
FAX # (519) 886-9540

TITLE		1760E	
			DR BY B.Pervaiz
1	04/07/16	was 8000 ohm CT primary	DATE 08/25/09
NO	DATE	REVISION	DIM IN(X)MM( )

1760E