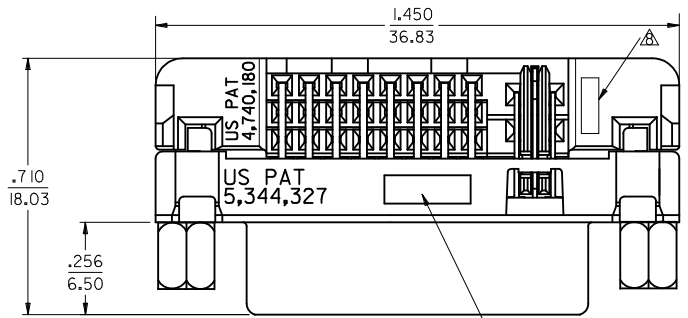
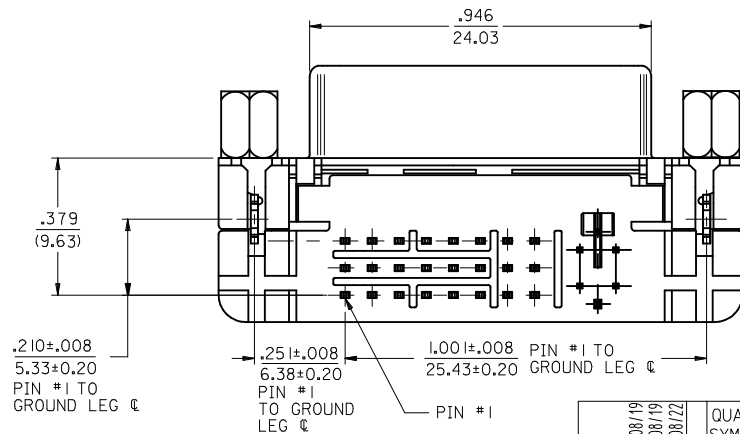
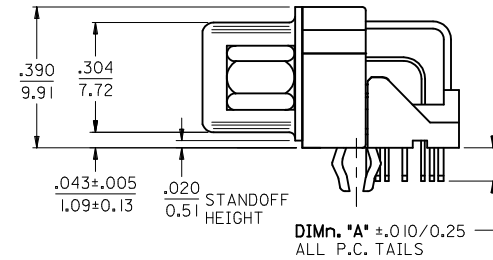
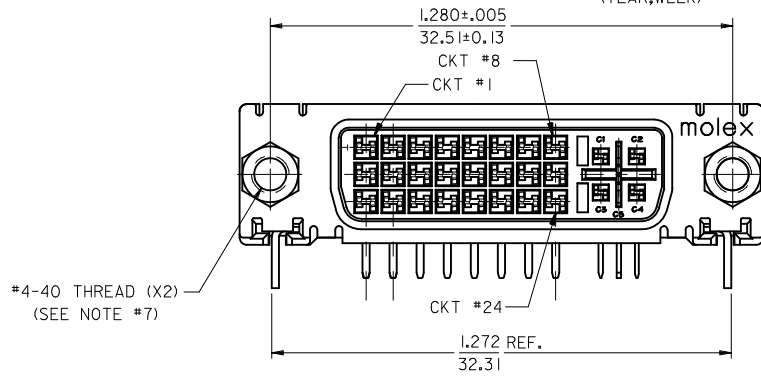
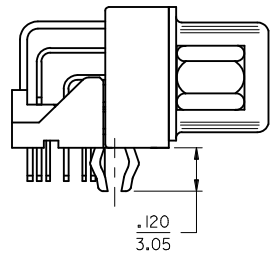


PART NUMBER	DIM "A"	PLATING OPTION
74320-9034	.092/2.34	2
74320-9033	.092/2.34	1

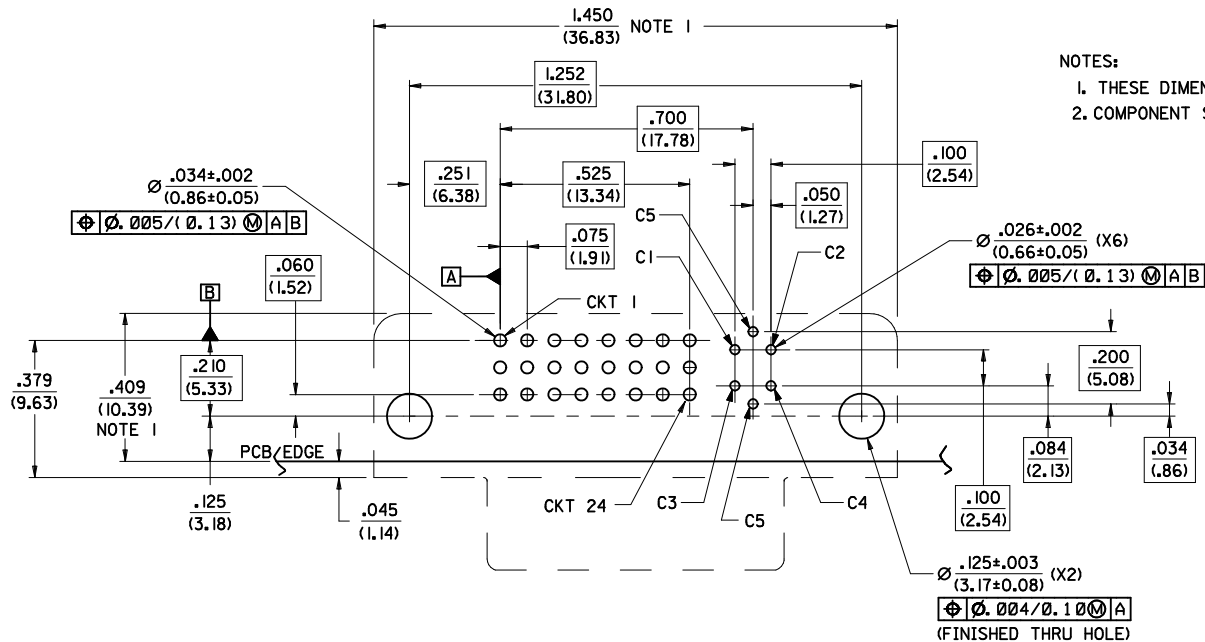


NOTES:

- MATERIALS:  
SHIELD -- DEEP DRAW STEEL.  
HOUSING -- GLASS FILLED POLYMER, WHITE/NATURAL, UL 94V-0.  
TAIL ALIGNER -- GLASS FILLED POLYMER, WHITE/NATURAL, UL 94V-0.  
CONTACTS -- COPPER ALLOY.  
MICROCROSS GROUND -- COPPER ALLOY.
  - PLATING: SEE SHEET 2
  - PRODUCT CONFORMS TO MOLEX PRODUCT SPECIFICATION NUMBER PS-74320-001.
  - SEE SHEET 2 FOR RECOMMENDED PANEL CUT-OUT AND P.C.B. LAYOUT.
  - PARTS WILL BE PACKAGED IN TRAYS PER PK-74320-044.
  - PRODUCT CONFORMS TO DDWG DVI SPECIFICATION. REFER TO THIS SPECIFICATION FOR CONNECTOR MATING DIMENSIONS.
  - MOUNTING HARDWARE IS MOLEX P/N 88780-6066. REFER TO PRODUCT SPECIFICATION NUMBER PS-74320-001 FOR THE APPLICATION TORQUE REQUIREMENT FOR ASSEMBLING MOUNTING HARDWARE.
- △ CAVITY NO. AND MANUFACTURING PLANT CODE.

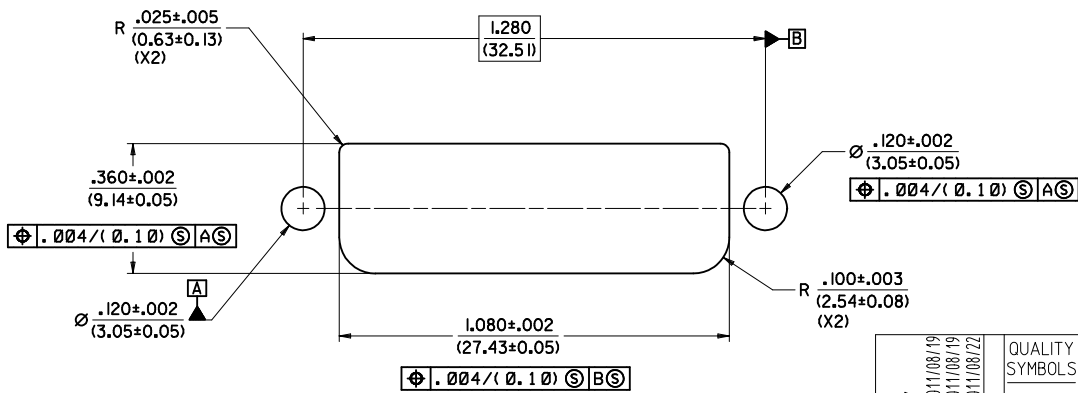


REV	DESCRIPTION	QUALITY SYMBOLS		GENERAL TOLERANCES (UNLESS SPECIFIED)		DIMENSION STYLE		SCALE	DESIGN UNITS	THIRD ANGLE PROJECTION
		mm	INCH	mm	INCH	IN/MM	1:1	INCH		
REVISE	EC NO: SH2012-0047	▽=0	▽=0	4 PLACES ±---	±---	DRAWN BY	DATE	TITLE	DVI-I RIGHT ANGLE RECEPTACLE CONNECTOR W/FORKLOCK	
D	2011/08/19	▽=0	▽=0	3 PLACES ±---	±.010	TONY	03/03/04			
	2011/08/19	▽=0	▽=0	2 PLACES ±.25	±.010	CHECKED BY	DATE		MOLEX INCORPORATED	
	2011/08/22	▽=0	▽=0	1 PLACE ±.25	±.010	WU YAJUN	03/03/18			
				ANGULAR ±1/2°		APPROVED BY	DATE		SD-74320-025	
				DRAFT WHERE APPLICABLE MUST REMAIN WITHIN DIMENSIONS		RZHANG	2011/08/22			
						MATERIAL NO.			SHEET NO. 1 OF 2	
						SEE TABLE			INCORPORATED AND SHOULD NOT BE USED WITHOUT WRITTEN PERMISSION	



NOTES:  
 1. THESE DIMENSIONS REPRESENT CONNECTOR OVERLAY ON PCB.  
 2. COMPONENT SIDE OF PCB SHOWN.

RECOMMENDED PCB LAYOUT



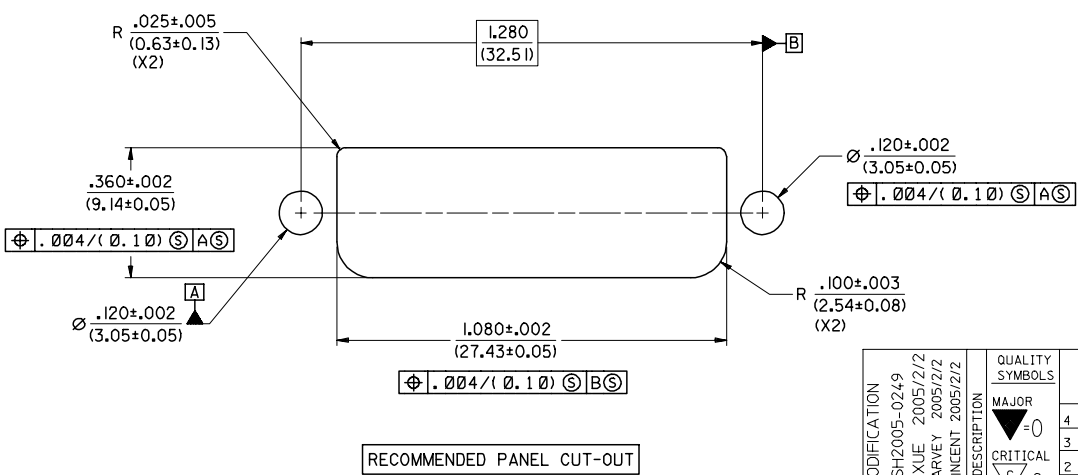
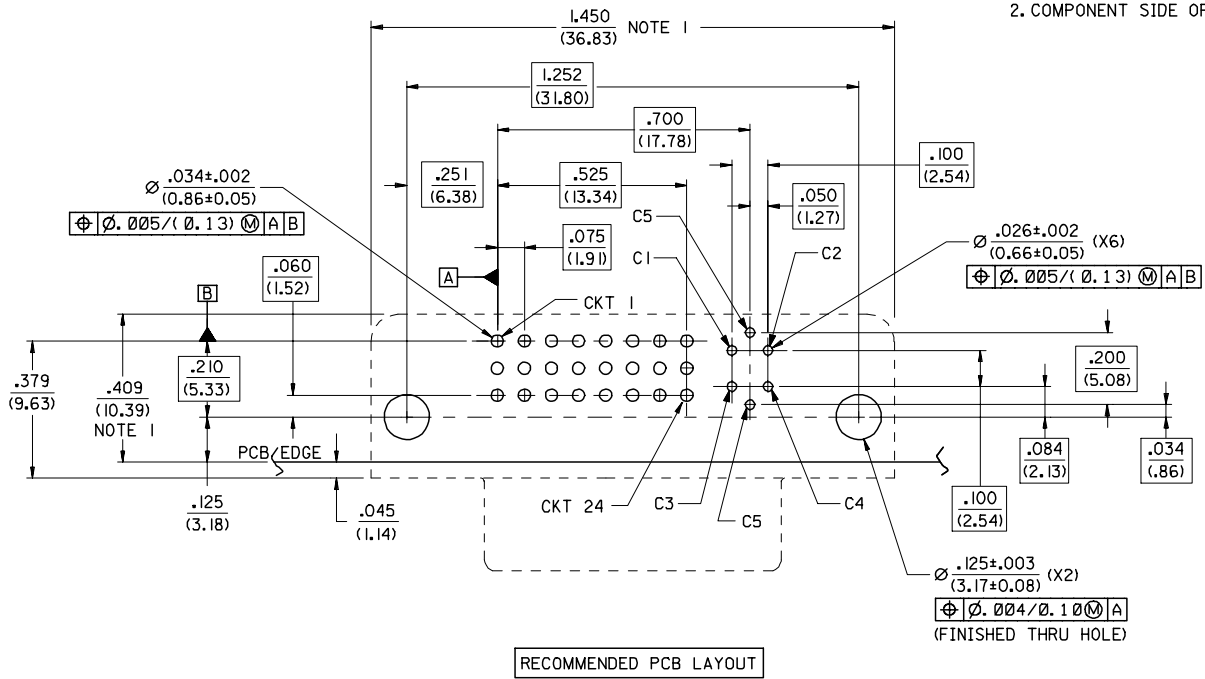
NOTE:  
 1. PANEL THICKNESS: .030" - .040".

RECOMMENDED PANEL CUT-OUT

**PLATING OPTIONS:**  
**PLATING OPTION #1:**  
 OUTER SHIELD -- 150u"/(3.75um) MIN. BRIGHT TIN OVER 50u"/(1.27um) MIN. NICKEL OVER COPPER FLASH  
 .075"/(1.9mm) CONTACTS -- 30u"/(0.75um) MIN. SELECT GOLD AND 100u"/(2.50um) MIN. SELECT PURE TIN OVER 50u"/(1.27um) MIN. NICKEL OVERALL.  
**PLATING OPTION #2:**  
 OUTER SHIELD -- 150u"/(3.75um) MIN. BRIGHT TIN OVER 50u"/(1.27um) MIN. NICKEL OVER COPPER FLASH  
 .075"/(1.9mm) CONTACTS -- SELECT GOLD FLASH AND 100u"/(2.50um) MIN. SELECT PURE TIN OVER 50u"/(1.27um) MIN. NICKEL OVERALL.

SEE SHEET 1 EC NO: SH2012-0047 DRAWN: XJSONG 2011/08/19 CHKD: XJSONG 2011/08/19 APPR: RZHANG 2011/08/22	QUALITY SYMBOLS ▽=0 ▽=0 ▽=0	GENERAL TOLERANCES (UNLESS SPECIFIED)		DIMENSION STYLE IN/MM	SCALE 1:1	DESIGN UNITS INCH	THIRD ANGLE PROJECTION	
		4 PLACES ±---	±---					
		3 PLACES ±---	±.010					
		2 PLACES ±0.25	±.010					
		1 PLACE ±0.25	±.010					
		ANGULAR ±1/2°						
		DRAFT WHERE APPLICABLE MUST REMAIN WITHIN DIMENSIONS						
		DRAWN BY: TONY		DATE: 03/03/04	TITLE: DVI-I RIGHT ANGLE RECEPTACLE CONNECTOR W/FORKLOCK			
		CHECKED BY: WU YA JUN		DATE: 03/03/18	MOLEX INCORPORATED			
		APPROVED BY: RZHANG		DATE: 2011/08/22	MATERIAL NO. SD-74320-025			
		SEE SHEET 1		DOCUMENT NO.	SHEET NO. 2 OF 2			
		THIS DRAWING CONTAINS INFORMATION THAT IS PROPRIETARY TO MOLEX INCORPORATED AND SHOULD NOT BE USED WITHOUT WRITTEN PERMISSION						

NOTES:  
 1. THESE DIMENSIONS REPRESENT CONNECTOR OVERLAY ON PCB.  
 2. COMPONENT SIDE OF PCB SHOWN.



NOTE:  
 1. PANEL THICKNESS: .030" - .040".

**PLATING OPTIONS:**  
**PLATING OPTION #1:**  
 OUTER SHIELD -- 150u"/(3.75um) MIN. BRIGHT TIN OVER 50u"/(1.27um) MIN. NICKEL OVER COPPER FLASH  
 .075"/(1.91mm) CONTACTS -- 30u"/(0.75um) MIN. SELECT GOLD AND 100u"/(2.50um) MIN. SELECT PURE TIN OVER 50u"/(1.27um) MIN. NICKEL OVERALL.  
**PLATING OPTION #2:**  
 OUTER SHIELD -- 150u"/(3.75um) MIN. BRIGHT TIN OVER 50u"/(1.27um) MIN. NICKEL OVER COPPER FLASH  
 .075"/(1.91mm) CONTACTS -- SELECT GOLD FLASH AND 100u"/(2.50um) MIN. SELECT PURE TIN OVER 50u"/(1.27um) MIN. NICKEL OVERALL.

MODIFICATION EC No. SH2005-0249 DRWN DXUE 2005/2/2 CHK: HARVEY 2005/2/2 APPR: VINCENT 2005/2/2	QUALITY SYMBOLS MAJOR CRITICAL	GENERAL TOLERANCES: (UNLESS SPECIFIED)		SCALE 4 : 1	DESIGN UNITS <input type="checkbox"/> mm <input checked="" type="checkbox"/> INCH	DIMENSIONS: <input type="checkbox"/> INCH ONLY <input type="checkbox"/> SHT <input type="checkbox"/> REV <input checked="" type="checkbox"/> mm <input checked="" type="checkbox"/> INCH <input type="checkbox"/> mm ONLY <input type="checkbox"/> REVISE ON CAD ONLY	
		DRAWN BY & DATE TONY ZHANG 03/03/04		TITLE: DVI - I			
		CHECKED BY & DATE WU YAJUN 03/03/18		RIGHT ANGLE W/FORKLOCK RECEPTACLE CONNECTOR			
		APPROVED BY & DATE SAM HUANG 03/03/24		MOLEX INCORPORATED			
REV	DESCRIPTION	ANGULAR: ± °		CAD FILENAME SD74320025.S02	MATERIAL NO. SEE SHEET 1	DRAWING NO. SD-74320-025	SHEET NO. 2
DRAFT WHERE APPLICABLE MUST REMAIN WITHIN DIMENSIONS				THIS DRAWING CONTAINS INFORMATION THAT IS PROPRIETARY TO MOLEX INCORPORATED AND SHOULD NOT BE USED WITHOUT WRITTEN PERMISSION.			SIZE C