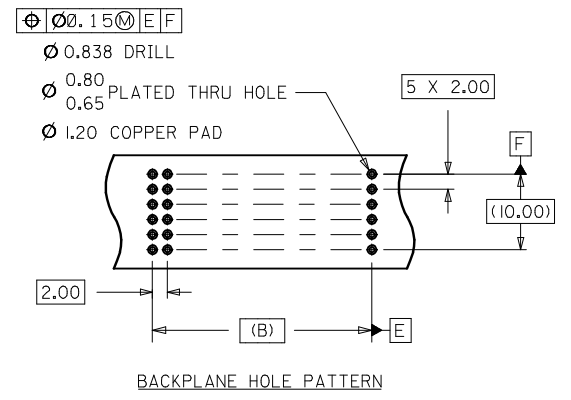
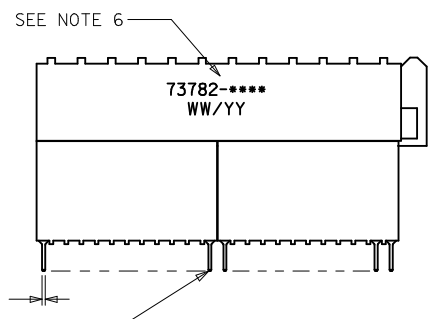
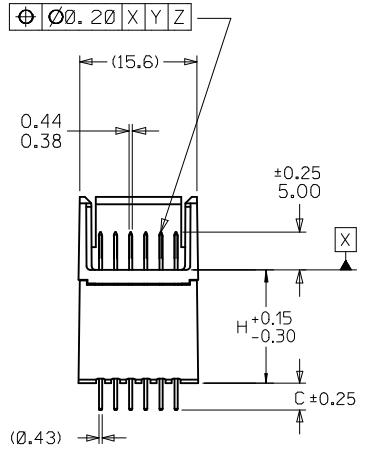
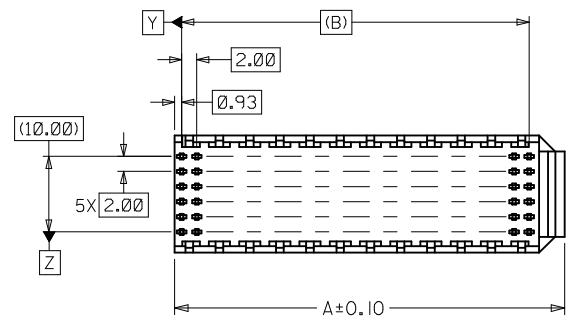


- NOTES:**
1. MATERIALS: HOUSING-LIQUID CRYSTAL POLYMER (LCP), GLASS-FILLED, UL94V-0, COLOR: BLACK.
TERMINAL-PHOSPHOR BRONZE
 2. FINISH:
0.75 MICROMETERS MINIMUM SELECTIVE GOLD IN MATING AREA
2.50 MICROMETERS MINIMUM SELECTIVE TIN IN TAIL AREA
NICKEL UNDERPLATE OVERALL.
 3. THIS PART CONFORMS TO MOLEX PRODUCT SPECIFICATION PS-73780-999.
 4. THIS PART CONFORMS TO MOLEX COSMETIC SPECIFICATION PS-45499-002 CLASS C.
 5. SEE TABLE ON SHEET 2 FOR PACKAGING SPECIFICATION.
 6. PARTS MARKED WITH PART NUMBER AND DATE CODE APPROXIMATELY WHERE SHOWN.



⊕ Ø0.150 X Y Z

| | | | | | | | | |
|-------------------------------------------------------------------------------------------------------------------------|-----------------|------------------------------------------------------|--------|----------------------------|------------|-------------------------------------------------------------------------------------------------------------------------------|-------------------------------------------------------------------------------------------------------------------------------------|------------------------|
| CHG PKG FOR 45mm EC NO: UCP2013-0087 DRW:DMORGAN 2012/08/28 CHKD:BBARKER 2012/08/28 APPR:SMILLER 2012/09/18 | QUALITY SYMBOLS | GENERAL TOLERANCES (UNLESS SPECIFIED) | | DIMENSION STYLE MM ONLY | | SCALE 2:1 | DESIGN UNITS METRIC | THIRD ANGLE PROJECTION |
| | ▽=0 | 4 PLACES | ± --- | ± --- | DRAWN BY | DATE | SALES ASSEMBLY, HDM BACKPLANE STACKING MOD CLOSED END SOLDER molex DOCUMENT NO. SD-73782-001 SHEET NO. 1 OF 2 | |
| | ▽=0 | 3 PLACES | ± --- | ± --- | CHECKED BY | DATE | | |
| | ▽=0 | 2 PLACES | ± 0.05 | ± --- | SREED | 1997/04/25 | | |
| | 1 PLACE | ± 0.10 | ± --- | APPROVED BY | DATE | | | |
| | 0 PLACE | ± --- | ± --- | CBIXLER | 1997/04/25 | | | |
| | | ANGULAR ±1/2° | | MATERIAL NO. | | | | |
| | | DRAFT WHERE APPLICABLE MUST REMAIN WITHIN DIMENSIONS | | SEE SHEET 2 | | | | |
| | | | | SIZE C | | THIS DRAWING CONTAINS INFORMATION THAT IS PROPRIETARY TO MOLEX INCORPORATED AND SHOULD NOT BE USED WITHOUT WRITTEN PERMISSION | | |

MATERIAL NUMBER ASSIGNMENT

73782-* * 0 0

| NUMBER | CIRCUIT SIZE | DIM "A" | DIM "B" | DIM "C" |
|--------|--------------|---------|---------|---------|
| 0 | 72 | 27.6 | 22.00 | 2.0 |
| 1 | 144 | 51.6 | 46.00 | 2.0 |
| 2 | 72 | 27.6 | 22.00 | 2.5 |
| 3 | 144 | 51.6 | 46.00 | 2.5 |
| 4 | 72 | 27.6 | 22.00 | 3.0 |
| 5 | 144 | 51.6 | 46.00 | 3.0 |
| 6 | 72 | 27.6 | 22.00 | 3.5 |
| 7 | 144 | 51.6 | 46.00 | 3.5 |

| NUMBER | DIM "H" | PACKAGING SPECIFICATION |
|--------|---------|-------------------------|
| 1 | 15.05 | PK-70873-1873 |
| 2 | 6.05 | PK-70873-0875 |
| 3 | 10.05 | PK-70873-0871 |

| SEE SHEET 1 EC NO: UCP2013-0087 DRWN:DMORGAN 2012/08/28 CHKD:BBARKER 2012/08/28 APPR:SMILLER 2012/09/18 | QUALITY SYMBOLS ▽=0 ▽=0 ▽=0 | GENERAL TOLERANCES (UNLESS SPECIFIED) | | DIMENSION STYLE MM ONLY | SCALE 1:1 | DESIGN UNITS METRIC | THIRD ANGLE PROJECTION | | | | | | | | | | | | | | | | | | | |
|---------------------------------------------------------------------------------------------------------------------|--------------------------------------|------------------------------------------------------|----------------------------------------|-----------------------------------------------------------------------------------------------------------------------------------------------------------------------------------------------------------------------------------------------------------------------------------------------------------------------------------------------------------------------------------------------------------------------------------|---------------------|-------------------------------------|------------------------|----------|-------|-------|----------|-------|-------|----------|--------|-------|---------|--------|-------|---------|-------|-------|---------------------------------------|------------------------------------------------------------------------------------------------------------------------|--|--|
| | | | | <table border="1" style="width: 100%; border-collapse: collapse;"> <tr> <th></th> <th>mm</th> <th>INCH</th> </tr> <tr> <td>4 PLACES</td> <td>± ---</td> <td>± ---</td> </tr> <tr> <td>3 PLACES</td> <td>± ---</td> <td>± ---</td> </tr> <tr> <td>2 PLACES</td> <td>± 0.05</td> <td>± ---</td> </tr> <tr> <td>1 PLACE</td> <td>± 0.10</td> <td>± ---</td> </tr> <tr> <td>0 PLACE</td> <td>± ---</td> <td>± ---</td> </tr> </table> | | mm | INCH | 4 PLACES | ± --- | ± --- | 3 PLACES | ± --- | ± --- | 2 PLACES | ± 0.05 | ± --- | 1 PLACE | ± 0.10 | ± --- | 0 PLACE | ± --- | ± --- | DRAWN BY DATE JB INGHAM 1997/04/25 | TITLE SALES ASSEMBLY, HDM BACKPLANE STACKING MOD CLOSED END SOLDER | | |
| | | | mm | INCH | | | | | | | | | | | | | | | | | | | | | | |
| | | 4 PLACES | ± --- | ± --- | | | | | | | | | | | | | | | | | | | | | | |
| 3 PLACES | ± --- | ± --- | | | | | | | | | | | | | | | | | | | | | | | | |
| 2 PLACES | ± 0.05 | ± --- | | | | | | | | | | | | | | | | | | | | | | | | |
| 1 PLACE | ± 0.10 | ± --- | | | | | | | | | | | | | | | | | | | | | | | | |
| 0 PLACE | ± --- | ± --- | | | | | | | | | | | | | | | | | | | | | | | | |
| | | CHECKED BY DATE SREED 1997/04/25 | APPROVED BY DATE CBIXLER 1997/04/25 | | | | | | | | | | | | | | | | | | | | | | | |
| | | ANGULAR ±1/2° | | MATERIAL NO. SEE TABLE | | DOCUMENT NO. SD-73782-001 | | | | | | | | | | | | | | | | | | | | |
| | | DRAFT WHERE APPLICABLE MUST REMAIN WITHIN DIMENSIONS | | SIZE C | | SHEET NO. 2 OF 2 | | | | | | | | | | | | | | | | | | | | |

MATERIAL NUMBER ASSIGNMENT

73782-* * 0 0

| NUMBER | CIRCUIT SIZE | DIM "A" | DIM "B" | DIM "C" |
|--------|--------------|---------|---------|---------|
| 0 | 72 | 27.6 | 22.00 | 2.0 |
| 1 | 144 | 51.6 | 46.00 | 2.0 |
| 2 | 72 | 27.6 | 22.00 | 2.5 |
| 3 | 144 | 51.6 | 46.00 | 2.5 |
| 4 | 72 | 27.6 | 22.00 | 3.0 |
| 5 | 144 | 51.6 | 46.00 | 3.0 |
| 6 | 72 | 27.6 | 22.00 | 3.5 |
| 7 | 144 | 51.6 | 46.00 | 3.5 |

| NUMBER | DIM "H" |
|--------|---------|
| 1 | 15.05 |
| 2 | 6.05 |
| 3 | 10.05 |

| | | | | | | | | |
|-------------------------------------------------------------------------------------------------------------|--------------------------------------------------------------|-------------------------------------------------------------------------------------------------------------------|-----------------------------------------------------------------------------------------------------------------------|--------------------------------------------------------------------------------------------|-----------------------------------------------------------------------------------------------------------------------------------|--------------------|-----------------------------------------|---------------------------|
| SEE SHEET 1 EC NO: UDT2000-1073 DRWN: BINGHAM 00/05/08 CHK: REED 00/05/08 APPR: BIXLER 00/05/08 | DESCRIPTION MAJOR $\nabla = 0$ CRITICAL $\nabla_C = 0$ | GENERAL TOLERANCES: (UNLESS SPECIFIED) | SCALE NO: NE | DESIGN UNITS <input checked="" type="checkbox"/> mm <input type="checkbox"/> INCH | DIMENSIONS: <input type="checkbox"/> mm INCH <input type="checkbox"/> INCH mm <input checked="" type="checkbox"/> mm ONLY | SHT REV | REVISIONS REVISION NO. DESCRIPTION | |
| | | 4 PLACES $\pm 0.$ $\pm.$ 3 PLACES $\pm 0.$ $\pm.$ 2 PLACES $\pm 0.N/A$ $\pm.$ 1 PLACE $\pm 0.NA/$ $\pm.$ | DRAWN BY & DATE JBINGHAM 97/04/25 CHECKED BY & DATE SREED 97/04/25 APPROVED BY & DATE CBIXLER 97/04/25 | TITLE: SALES ASSEMBLY HDM BACKPLANE STACKING MODULE CLOSED END OPTION SOLDER TAIL | | MOLEX INCORPORATED | | MATERIAL NO. SEE CHART |
| ANGLULAR: \pm $^{\circ}$ | DRAFT WHERE APPLICABLE MUST REMAIN WITHIN DIMENSIONS | | CAD FILENAME S73782X2.DGN | | THIS DRAWING CONTAINS INFORMATION THAT IS PROPRIETARY TO MOLEX INCORPORATED AND SHOULD NOT BE USED WITHOUT WRITTEN PERMISSION. | | | SIZE B |