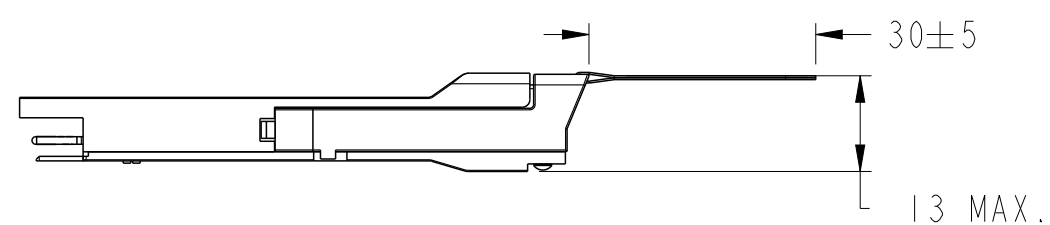
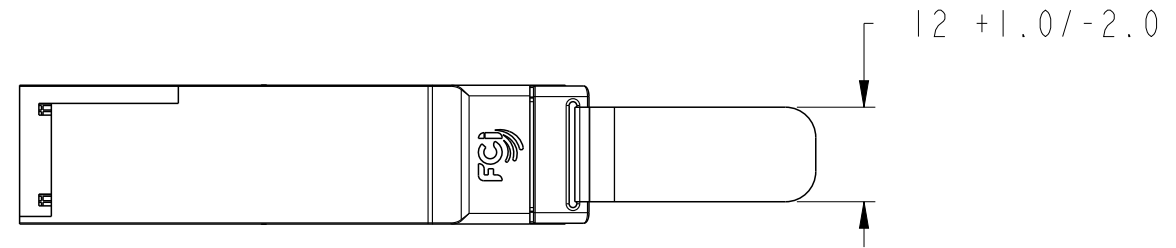
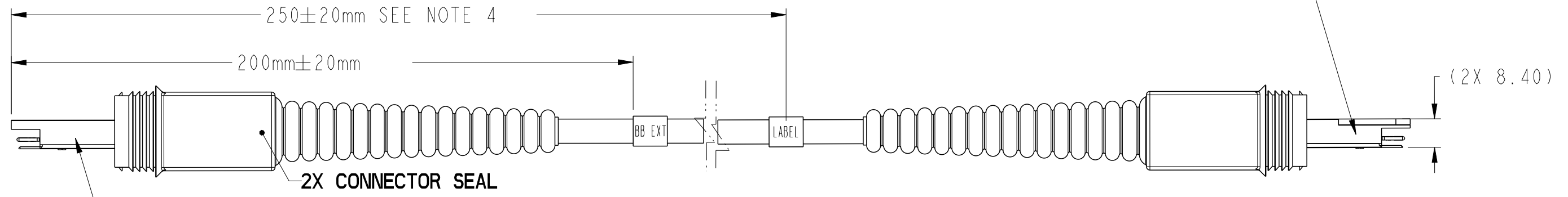


FCI P/N	CUSTOMER P/N	AWG
10110113-101LF	995298a	30 AWG 12 PAIR +2

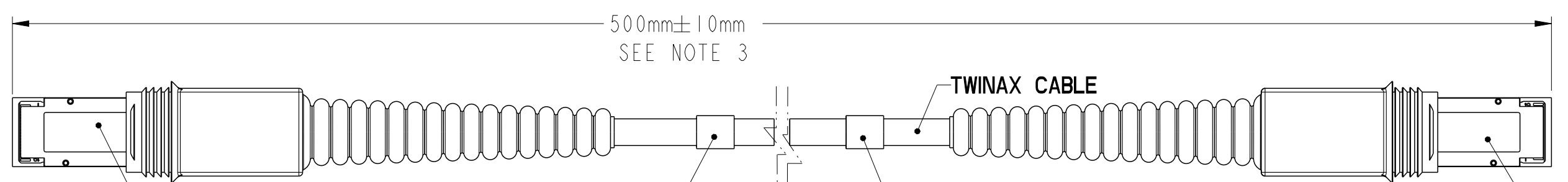


△ THE ORIENTATION OF THE CONNECTOR, SEE NOTE 16 REQUIREMENT



△ THE ORIENTATION OF THE CONNECTOR, SEE NOTE 16 REQUIREMENT

VIEW A



△ LABEL (W=12mm MAX.) CONTENTS TO BE "BB EXT"

VIEW A

END P1
CABLE CONNECTOR 1
QSFP PLUG with CONNECTOR SEAL



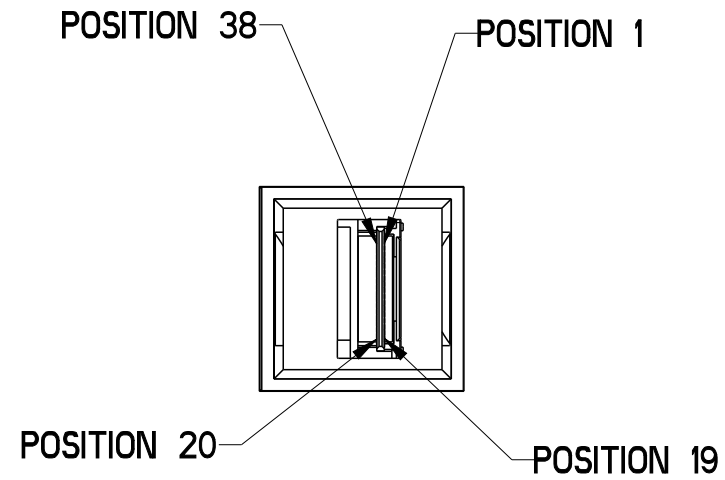
Copyright FCI.

dr	Deborah Ingram	2009/12/07	projection	mm	size	A3	scale	1:2
eng	Tommy Lin	2013/07/12			ecn no	ELX-N-15225-1		
chr	-	-	product family	QSFP PLUG	rel level	Released		
appr	Roger Cheng	2013/07/15						

www.fci.com	cat. no.	-	Product - Customer Drw	sheet 1 of 3	title	FINAL ASSEMBLY CUSTOM QSFP (PASSIVE) ASSEMBLY	dwg no	10110113	rev	E

PART NUMBER
10110113-101LF
SEE TABLE

WIRING LIST (SEE NOTE 5)			
END P1		END P2	
POSITION	SYMBOL	POSITION	SYMBOL
1	I2C_SCL	1	I2C_SCL
2	GND	37	GND
3	TX0-_DATA	36	RX0-_DATA
4	TX0+_DATA	35	RX0+_DATA
5	GND	34	GND
6	TX1-_DATA	33	RX1-_DATA
7	TX1+_DATA	32	RX1+_DATA
8	GND	31	GND
9	TX2-_DATA	30	RX2-_DATA
10	TX2+_DATA	29	RX2+_DATA
11	GND	28	GND
12	TX3-_DATA	27	RX3-_DATA
13	TX3+_DATA	26	RX3+_DATA
14	GND	25	GND
15	TX4-_DATA	24	RX4-_DATA
16	TX4+_DATA	23	RX4+_DATA
17	GND	17	GND
18	CLK0-	18	CLK0-
19	CLK0+	19	CLK0+
20	CLKI+	20	CLKI+
21	CLKI-	21	CLKI-
22	GND	22	GND
23	RX4+_DATA	16	TX4+_DATA
24	RX4-_DATA	15	TX4-_DATA
25	GND	14	GND
26	RX3+_DATA	13	TX3+_DATA
27	RX3-_DATA	12	TX3-_DATA
28	GND	11	GND
29	RX2+_DATA	10	TX2+_DATA
30	RX2-_DATA	9	TX2-_DATA
31	GND	8	GND
32	RX1+_DATA	7	TX1+_DATA
33	RX1-_DATA	6	TX1-_DATA
34	GND	5	GND
35	RX0+_DATA	4	TX0+_DATA
36	RX0-_DATA	3	TX0-_DATA
37	GND	2	GND
38	I2C_SDA	38	I2C_SDA



VIEW A
SCALE 2:1

DATA SIGNALS TYPE IS DIFFERENTIAL, DATA RATE 6.25Gbits
 CLK SIGNALS TYPE IS DIFFERENTIAL, FREQUENCY 3.84MHz (opt. 200MHz).
 I2C SIGNALS TYPE IS SINGLE ENDED, DATA RATE 100kbit (100kHz)
 MATING LEVEL 1 HAS TO MATE FIRST
 MATING LEVEL 1: ALL GROUNDS
 MATING LEVEL 3: ALL SIGNALS/DATA/CLK

360° GROUNDING TO BACKSHELL SHIELD
 360° GROUNDING TO BACKSHELL SHIELD

dr	Deborah Ingram	2009/12/07	projection	mm	size	A3	scale	1:2
eng	Tommy Lin	2013/07/12			ecn no		ELX-N-15225-1	
chr	-	-			rel level		Released	
appr	Roger Cheng	2013/07/15	product family		QSFP PLUG		Released	
			FINAL ASSEMBLY CUSTOM QSFP (PASSIVE) ASSEMBLY			dwg no 10110113		rev E
www.fci.com			cat. no.		-		Product - Customer Drw	

PART NUMBER

10110113-101LF

SEE TABLE

NOTES:

1. MATERIAL:
 CASTINGS: ZINC ALLOY WITH PLATING
 PULL TAB: THERMO PLASTIC POLYMER
 LATCH RELEASE: ZINC DIECAST WITH PLATING
 DRIVE SCREWS: STAINLESS STEEL
 STRAIN RELIEF COLLAR: BRASS
 SPRING: STAINLESS STEEL
 LOCTITE
 PADDLE CARD: PRINTED CIRCUIT SUBSTRATE
 CABLE TO BE UL RECGONIZED
 CONNECTOR SEAL: TBD

△ 2. THIS PRODUCT MEETS THE RESTRICTION OF HAZARDOUS SUBSTANCES IN ELECTRICAL AND ELECTRONIC EQUIPMENT (RoHS) DIRECTIVE (2011/65/EU)

③ 3. THIS DIMENSION IS A FINISHED PRODUCT LENGTH.

④ 4. UNLESS OTHERWISE SPECIFIED LABEL POSITION IS TO BE 250mm FROM NOSE OF CONNECTOR. LABEL DETAILS:

NSN P/N
 FFYYWW

FF =FG (FACTORY SYMBOL)
 YY =YEAR
 WW =WEEK

EXAMPLE:

995298a
 FG1046

FONT SHALL BE CLEARLY VISIBLE AND BLACK IN COLOR.

⑤ 5. ALL CABLE ASSEMBLIES SHALL BE 100% TESTED FOR CONTINUITY AS DEFINED IN WIRING LIST.

6. OTHER TESTING PERFORMED AS REQUIRED BY PRODUCT SPECIFICATION: GS-12-622 (SECTIONS 6.4 AND 6.5 DO NOT APPLY)

7. PACKAGING OF LEAD FREE PRODUCTS MEETS LABELING AND PACKAGING PER SPECIFICATION GS-14-920. PACKAGE CABLE ASSEMBLIES PER GS-14-1272. DUST COVERS ARE TO BE ASSEMBLED PRIOR TO PACKAGING

8. A "△" SYMBOL WILL BE NEXT TO ANY DIMENSION, VIEW, OR NOTE WHICH HAS BEEN MODIFIED WITH THE CURRENT DRAWING REVISION. THE CURRENT REVISION WILL BE SHOWN IN THE SYMBOL.

9. CABLE ASSEMBLY SHALL MEET THESE NSN STANDARDS:
 UL94V-1 CONNECTORS
 VW-1 SIGNAL CABLE WIRES
 COMPLY WITH NSN SUBSTANCE LIST
 INGRESS IP65
 UV RESISTANT
 OPERATING TEMP RANGE -35°C...+80°C
 INSTALLATION TEMP RANGE -20°C...+60°
 DIFFERENTIAL-IMPEDANCE 100±10Ω

10. MIN. BEND RADIUS: 5 X Ø

11. ALL CABLE ASSEMBLIES ARE TO BE 100% HI-POT TESTED.

12. ALL DIMENSIONS ARE IN MILLIMETERS.

13. CABLE ASSEMBLY SHALL MEET INGRESS PROTECTION REQUIREMENT IP65, IF THE CABLE ASSEMBLY IS CORRECTLY INSTALLED.

△ 14. CABLE JACKET TO BE 6.9±0.2mm

△ 15. THIS ASSEMBLY DOESN'T HAVE EEPROM ON PCB SIDE.

△ 16. THE ORIENTATION OF THE CONNECTOR MUST BE 0±45 DEGREE. PULL TAB MUST BE AT THE SAME SIDE ACCORDING OF THE DRAWING.



Copyright FCI.

dr	Deborah Ingram	2009/12/07	projection 	mm 	size	A3	scale	1:2
eng	Tommy Lin	2013/07/12			ecn no	ELX-N-15225-1		
chr	-	-			rel level	Released		
appr	Roger Cheng	2013/07/15	product family	QSFP PLUG				
			FINAL ASSEMBLY CUSTOM QSFP (PASSIVE) ASSEMBLY		dwg no 10110113	rev E		
www.fci.com			cat. no.	-	Product - Customer Drw		sheet 3 of 3	