

Basic terminal block - UM122-FLK16/EX-MB/8 - 2968467

Please be informed that the data shown in this PDF Document is generated from our Online Catalog. Please find the complete data in the user's documentation. Our General Terms of Use for Downloads are valid (<http://phoenixcontact.com/download>)



Ex-module carrier, intrinsically safe, for accommodating 8 Process Interface modules (PI-Ex...).



Key commercial data

Packing unit	1 pc
Weight per Piece (excluding packing)	506.8 GRM
Custom tariff number	85369010
Country of origin	Germany

Technical data

Note

Utilization restriction	EMC: class A product, see manufacturer's declaration in the download area
-------------------------	---

Dimensions

Width	125 mm
Height	127.5 mm
Depth	92 mm

Ambient conditions

Ambient temperature (operation)	-20 °C ... 60 °C
Ambient temperature (storage/transport)	-40 °C ... 75 °C

General

Nom. voltage	20 V DC ... 35 V DC
Housing insulation material	Polyamide PA non-reinforced, polycarbonate PC, PVC
Inflammability class according to UL 94	V2

Basic terminal block - UM122-FLK16/EX-MB/8 - 2968467

Technical data

General

Color	green
Conformance	CE-compliant
ATEX	# II (1) GD [EEx ia] IIC

Connection data

Connection 1	PCB connection
Connection method	Screw connection
Conductor cross section stranded min.	0.2 mm ²
Conductor cross section stranded max.	2.5 mm ²
Conductor cross section solid min.	0.2 mm ²
Conductor cross section solid max.	4 mm ²
Conductor cross section AWG/kcmil min.	24
Conductor cross section AWG/kcmil max	12
Screw thread	M3
Stripping length	8 mm
Number of connections	24
Number of positions	1
Connection 2	Control system level
Connection method	FLK pin strip
Conductor cross section stranded min.	0.2 mm ²
Conductor cross section stranded max.	2.5 mm ²
Conductor cross section solid min.	0.2 mm ²
Conductor cross section solid max.	4 mm ²
Conductor cross section AWG/kcmil min.	24
Conductor cross section AWG/kcmil max	12
Number of connections	1
Number of positions	16
Tightening torque, min	0.5 Nm
Tightening torque max	0.6 Nm

Classifications

eCl@ss

eCl@ss 4.0	27141127
eCl@ss 4.1	27141127
eCl@ss 5.0	27371603
eCl@ss 5.1	27371603
eCl@ss 6.0	27371603

Basic terminal block - UM122-FLK16/EX-MB/8 - 2968467

Classifications

eCl@ss

eCl@ss 7.0	27371603
eCl@ss 8.0	27371603

ETIM

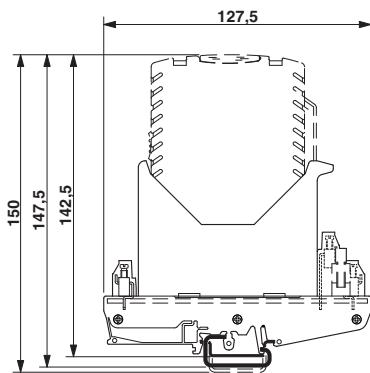
ETIM 2.0	EC000764
ETIM 3.0	EC001456
ETIM 4.0	EC001456
ETIM 5.0	EC001456

UNSPSC

UNSPSC 6.01	30211811
UNSPSC 7.0901	39121410
UNSPSC 11	39121410
UNSPSC 12.01	39121410
UNSPSC 13.2	39121410

Drawings

Dimensioned drawing



Dimensioned drawing

