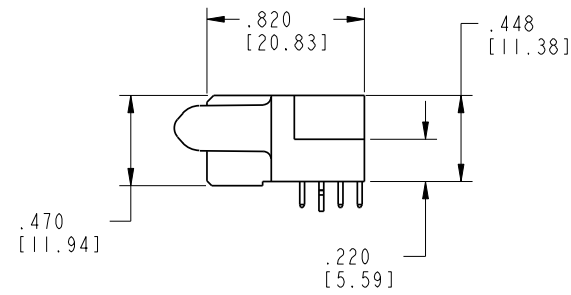
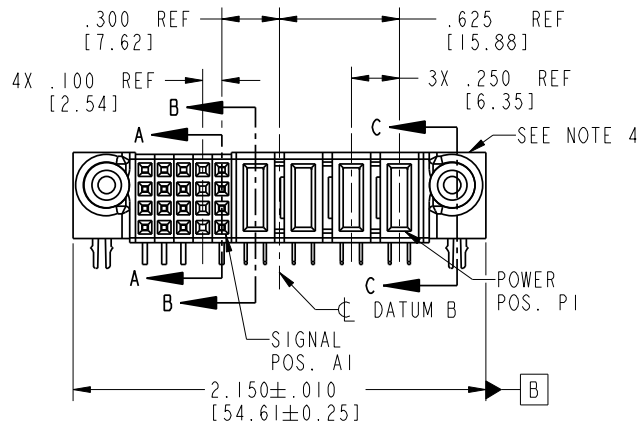
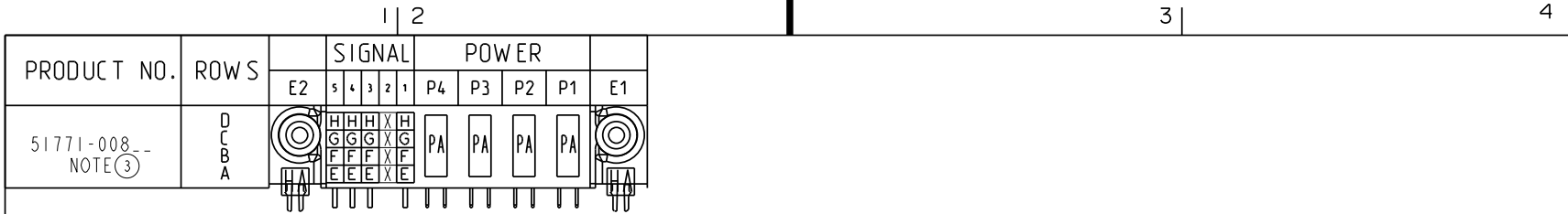


Tous droits strictement réservés. Reproduction ou communication à des tiers interdite sous quelque forme que ce soit sans autorisation écrite du propriétaire. Propriété de c.FCI. Droits de reproduction FCI.

All rights strictly reserved. Reproduction or issue to third parties in any form whatever is not permitted without written authority from the proprietor. Property of FCI. Copyright FCI.



CODE	DIM "M" MATING LENGTH	CONTACT TYPE
PA	.042 [1.07]	POWER
H	N/A [N/A]	SIGNAL
G	N/A [N/A]	SIGNAL
F	N/A [N/A]	SIGNAL
E	N/A [N/A]	SIGNAL
HA	N/A [N/A]	HOLD-DOWN
X	OMITTED	OMITTED

SEE NOTE 2				tolerances unless otherwise specified		CUSTOMER	
lir	ecr no.	dr	date	linear	angles	COPY	
A	DG06-0145	JMG	04/07/06	.XX±.01/0.X±0.3	0°±2°	projection	
				.XX±.005/0.XX±0.13		INCH/MM	
				.XXX±.0020/0.XXX±0.051		scale 1:1	
				dr JM GUO 04/07/06		product family PwrBlade code 213	
				enr STEVEN WANG 04/07/06		size dwg no 51771-008 sheet 1 of 4	
				chr BEER FU 04/07/06			
				appd JOSEPH HSIA 04/07/06			
sheet index	revision sheet	A 1	A 2	A 3	A 4		



title		4P + 20S R/A STB RECEPTACLE	
product family	PwrBlade	code	213
size	A	dwg no	51771-008
sheet		1 of 4	

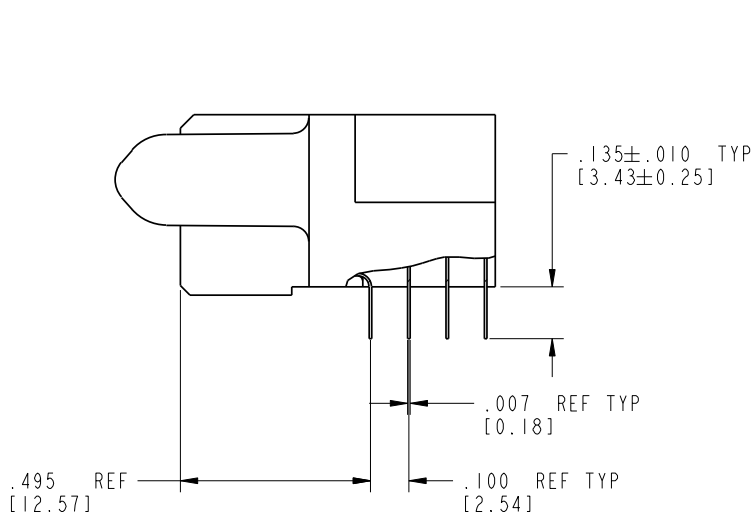
Tous droits strictement reserves. Reproduction ou communication a des tiers interdite sous quelque forme que ce soit sans autorisation ecrite du proprietaire. Propriete de c FCI. Droits de reproduction FCI.

All rights strictly reserved. Reproduction or issue to third parties in any form whatever is not permitted without written authority from the proprietor. Property of FCI. Copyright FCI.

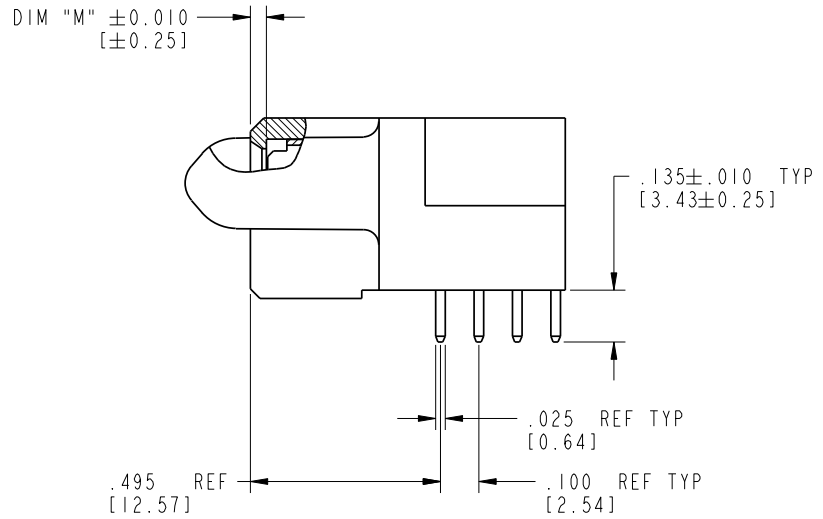


PRODUCT NUMBER

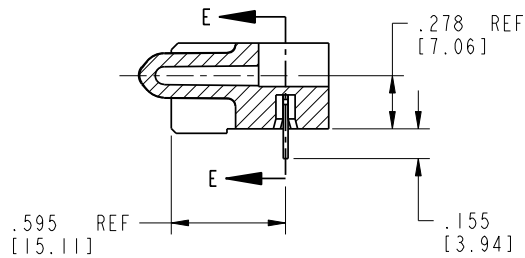
51771-008--
NOTE ③



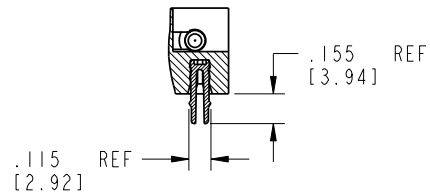
BROKEN-OUT SECTION A-A
SCALE 2:1



BROKEN-OUT SECTION B-B
SCALE 2:1



SECTION C-C



SECTION E-E

mol'l code		SEE NOTE 2		tolerances unless otherwise specified		CUSTOMER		FCI	
lir	ecn no.	dr	date	linear	.XX±.01/0.X±0.3	COPY		www.fciconnect.com	
A				linear	.XX±.005/0.XX±0.13	projection		title	
				linear	.XXX±.0020/0.XXX±0.051	INCH/MM		4P + 20S R/A STB RECEPTACLE	
				angles	0°±2°	scale		product family	
				dr	JM GUO 04/07/06	1:1		PwrBlade	
				enr	STEVEN WANG 04/07/06			code	
				chr	BEER FU 04/07/06			213	
				appd	JOSEPH HSIA 04/07/06			sheet	
sheet index	revision sheet							2 of 4	
								51771-008	

A

B

A

B

1 | 2

3 |

4

1 | 2

Pro/E

PDM: Rev: A

STAT US: Released

Printed: Dec 20, 2010

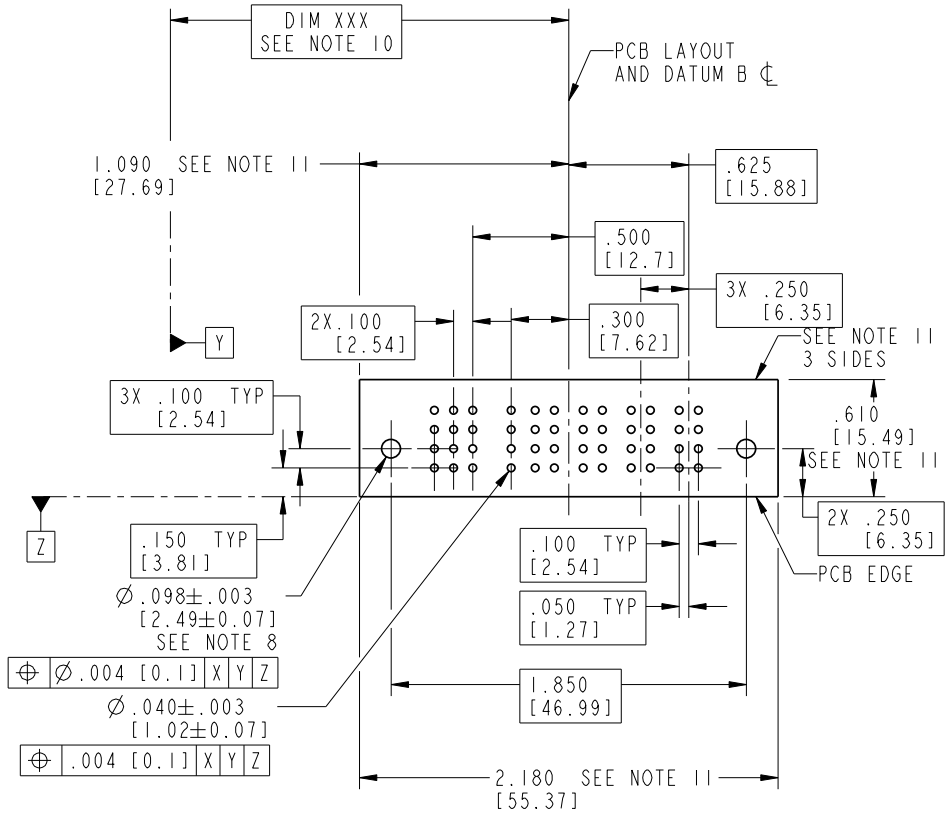
Tous droits strictement reserves. Reproduction ou communication a des tiers interdite sous quelque forme que ce soit sans autorisation ecrite du proprietaire. Propriete de c FCI. Droits de reproduction FCI.

All rights strictly reserved. Reproduction or issue to third parties in any form whatever is not permitted without written authority from the proprietor. Property of FCI. Copyright FCI.



PRODUCT NUMBER

51771-008__
NOTE ③



mol'l code		SEE NOTE 2		tolerances unless otherwise specified		CUSTOMER		FCI	
lir	ecn no.	dr	date	linear	.XX±.01/0.X±0.3	COPY		www.fciconnect.com	
A				linear	.XXX±.005/0.XX±0.13	projection		title	
				angles	.XXXX±.002/0.XXX±0.051	INCH/MM		4P + 20S	
				dr	JM GUO 04/07/06	scale		R/A STB RECEPTACLE	
				enr	STEVEN WANG 04/07/06	1:1		product family	
				chr	BEER FU 04/07/06			PwrBlade	
				appd	JOSEPH HSIA 04/07/06			code	
sheet index	revision sheet							213	
								sheet	
								3 of 4	

STAT US: Released

Printed: Dec 20, 2010

PDM: Rev: A

Pro/E

Tous droits strictement réservés. Reproduction ou communication a des tiers interdite sous quelque forme que ce soit sans autorisation écrite du propriétaire. Propriété de c FCI. Droits de reproduction FCI.



All rights strictly reserved. Reproduction or issue to third parties in any form whatever is not permitted without written authority from the proprietor. Property of FCI. Copyright FCI.

1 | 2

3 |

4

PRODUCT NUMBER

51771-008__
NOTE ③

NOTES:

1. DIMENSIONS AND TOLERANCES ARE IN ACCORDANCE WITH ASME Y14.5M, 1994 UNLESS OTHERWISE SPECIFIED.

CONNECTOR NOTES:

- ② HOUSING MATERIAL: UL 94 V-0 GLASS FILLED
HIGH-TEMP THERMOPLASTIC
POWER CONTACT MATERIAL: COPPER ALLOY
SIGNAL PIN MATERIAL: COPPER ALLOY
- 3. PLATING:
51771-008, 51771-008LF PLATING SPEC. WAS SHOWN IN THE PRINT OF 10064183.
- ④ MANUFACTURER'S NAME, P/N, AND DATE CODE TO APPEAR ON THIS SURFACE.
- 5. PRODUCT SPECIFICATION GS-12-149.
APPLICATION SPECIFICATION BUS-20-067.
- 6. PACKAGED IN TRAYS.

PCB NOTES:

- 7. ALL HOLE DIAMETERS ARE FINISHED HOLE SIZE.
- ⑧ MOUNTING HOLES, WHERE APPLICABLE, ARE UNPLATED.
- ⑨ $\varnothing .0453 \pm .0010$ [1.151 ± 0.025] DRILLED HOLES PLATED WITH $.0003$ [0.008] MIN SnPb OVER $.001$ [0.03] TO $.003$ [0.08] Cu PLATING TO ACHIEVE $\varnothing .040 \pm .003$ [$1.02 \pm .07$] HOLE.
- ⑩ "DIM XXX" TO BE DETERMINED BY THE CUSTOMER.
- ⑪ CONNECTOR KEEP-OUT ZONE.

A

A

B

B

mol'l code		SEE NOTE 2		tolerances unless otherwise specified		CUSTOMER		FCI	
lir	ecn no.	dr	date	linear	.XX±.01/0.X±0.3	COPY		www.fciconnect.com	
A				linear	.XXX±.005/0.XX±0.13	projection		title	
				angles	.XXX±.0020/0.XXX±0.051	INCH/MM		4P + 20S R/A STB RECEPTACLE	
				dr	JM GUO 04/07/06	scale		product family	
				enr	STEVEN WANG 04/07/06	1:1		PwrBlade	
				chr	BEER FU 04/07/06			code	
				appd	JOSEPH HSIA 04/07/06			213	
sheet index	revision sheet							size	
								A	
								51771-008	
								sheet	
								4 of 4	

1 | 2

Pro/E

PDM: Rev: A

STAT US: Released

Printed: Dec 20, 2010

cage code 22516

4