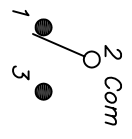


RECOMMENDED P.C.B. LAYOUT

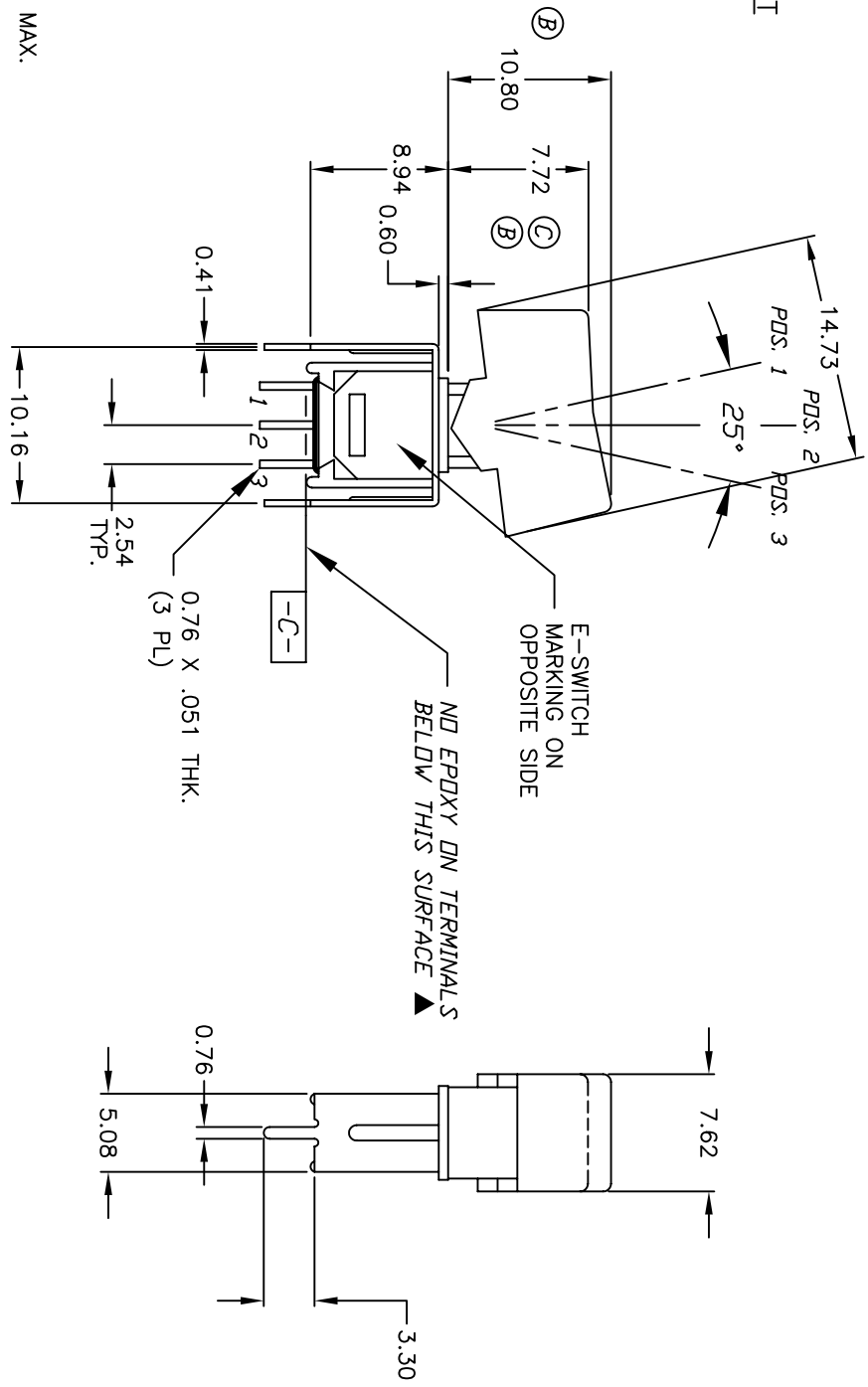


CIRCUIT: SPDT
CONTACT CONFIGURATION

SWITCH FUNCTION		
PDS. 1	PDS. 2	PDS. 3
DN	NONE	DN
2-3	OPEN	2-1

NOTES:

1. ALL DIMENSIONS IN MM
2. GENERAL TOLERANCE: X.X=±0.4
X.XX=±0.25
3. TERM. NOS. FOR REF. ONLY
4. RATING: 0.4 (VA) MAX. @20 VAC or DC MAX.
5. FIXED TERMINAL/MOVING CONTACT:
COPPER ALLOY W/GOLD PLATE
6. ELECTRICAL LIFE: 30,000 MAKE-AND-BREAK CYCLES
AT FULL LOAD.
7. INSULATION RESISTANCE: 1000M OHM TYPICAL
8. DIELECTRIC STRENGTH: 1,000 V RMS @SEA LEVEL
9. OPERATING TEMP.: -30°C to 85°C
10. 2002/95/EC (ROHS) COMPLIANT



REV.	ECN No.	DESCRIPTION	DATE	CHKD
C	15427	CHANGED DIM FROM 8.60	10/21/05	PH
B	11998	REVISED AND REDRAWN	3/13/02	CB

SCALE	DATE	DR	DWG	REV
2:1	3/13/02	CB	T411004	C



400 MSP-1 R1 (BLK) VS2 RE

THE INFORMATION CONTAINED IN THIS DOCUMENT IS PROPRIETARY TO E-SWITCH AND IS NOT TO BE COPIED OR TRANSFERRED