

## DETAILS

<b>Product Number</b>	FCP13895_SEANNA-A
<b>Family</b>	Seanna
<b>Type</b>	Assembly
<b>Color</b>	black
<b>Diameter</b>	152,6 mm
<b>Height</b>	79 mm
<b>Style</b>	round
<b>Optic Material</b>	PMMA,PMMA
<b>Holder Material</b>	
<b>Fastening</b>	pin, screw
<b>Status</b>	production ready
<b>ROHS Compliant</b>	Yes
<b>Date Updated</b>	16/03/2017



## OPTICAL PROPERTIES

LED	Viewing Angle	Light Beam	Efficiency	cd/lm	Connector
MK-R	sim: 4	Real spot	-	sim: 82.000-	
XB-D	sim: 1.3	Real spot	-	sim: 698.000	
XM-L	sim: 2.4	Real spot	-	sim: 272.000	
XM-L2	sim: 2	Real spot	-	sim: 275.000	
XP-E	sim: 1.2	Real spot	-	sim: 955.000	
XP-E2	1.0 deg	Real spot	-	750.000	-
XP-G	sim: 1.4	Real spot	-	sim: 578.000	
XP-G2	sim: 1.4	Real spot	-	sim: 628.000	
XT-E	sim: 1.4	Real spot	-	sim: 519.000	
XQ-E	sim: 1.1	Real spot	-	sim: 1460.000	
XHP50	sim: 3.32	Real spot	sim: 87 %	sim: 122.000	
XHP70	sim: 4.3	Real spot	sim: 81 %	sim: 69.900-	
XHP35 HD	sim: 2.4	Real spot	sim: 89 %	sim: 257.000	
XQ-E HI	sim: 1.2	Real spot	sim: 90 %	sim: 1300.000	
XHP35 HI	sim: 1,6	Real spot	sim: 83 %	sim: 496.000	
XP-L HI	1,6 deg	Real spot	94 %	492.000	-
LZ4 (00xW00)	sim: 3.3	Real spot	-	sim: 136.000	
LUXEON Rebel	sim: 1.3	Real spot	-	sim: 704.000	
LUXEON Rebel ES	sim: 1.6	Real spot	-	sim: 530.000	
LUXEON M/MX	sim: 3.6	Real spot	-	sim: 99.000-	
LUXEON S1000	sim: 3.8	Real spot	-	sim: 100.000	
SBT-90	sim: 2.3	Real spot	-	sim: 253.000	
NVSW3x9A	1,9 deg	Real spot	92 %	310.000	-
Oslon Square PC	sim: 1.5	Real spot	-	sim: 550.000	
Oslon Black Flat	1,2 deg	Real spot	94 %	1196.000	-



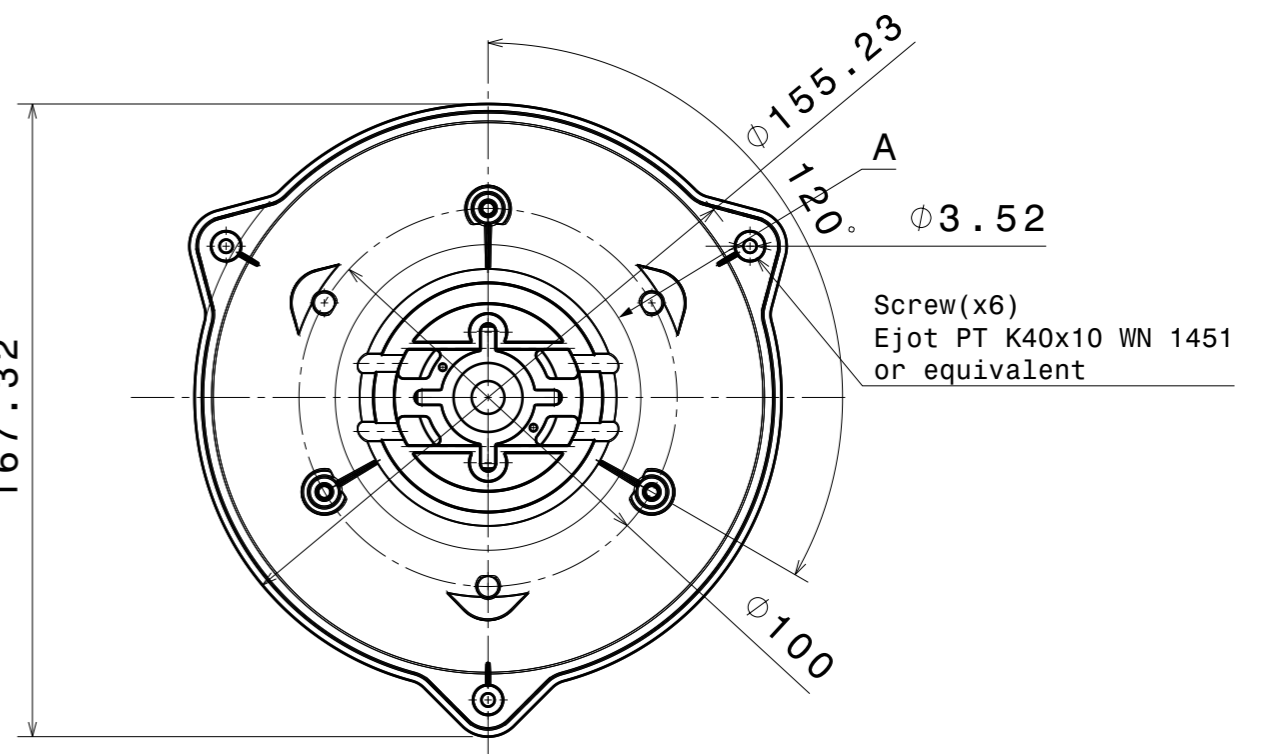
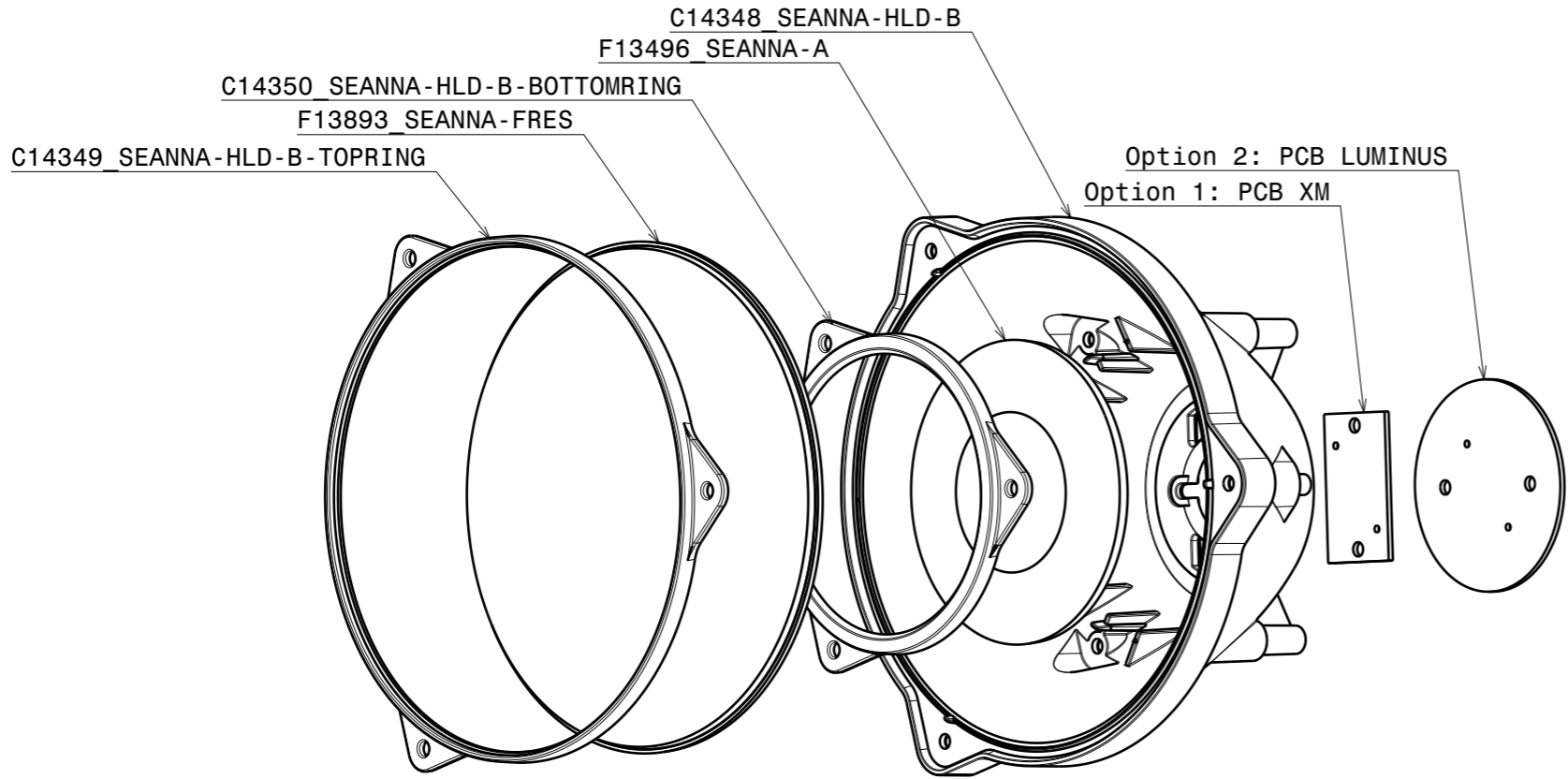
# PRODUCT DATASHEET

## Seanna series

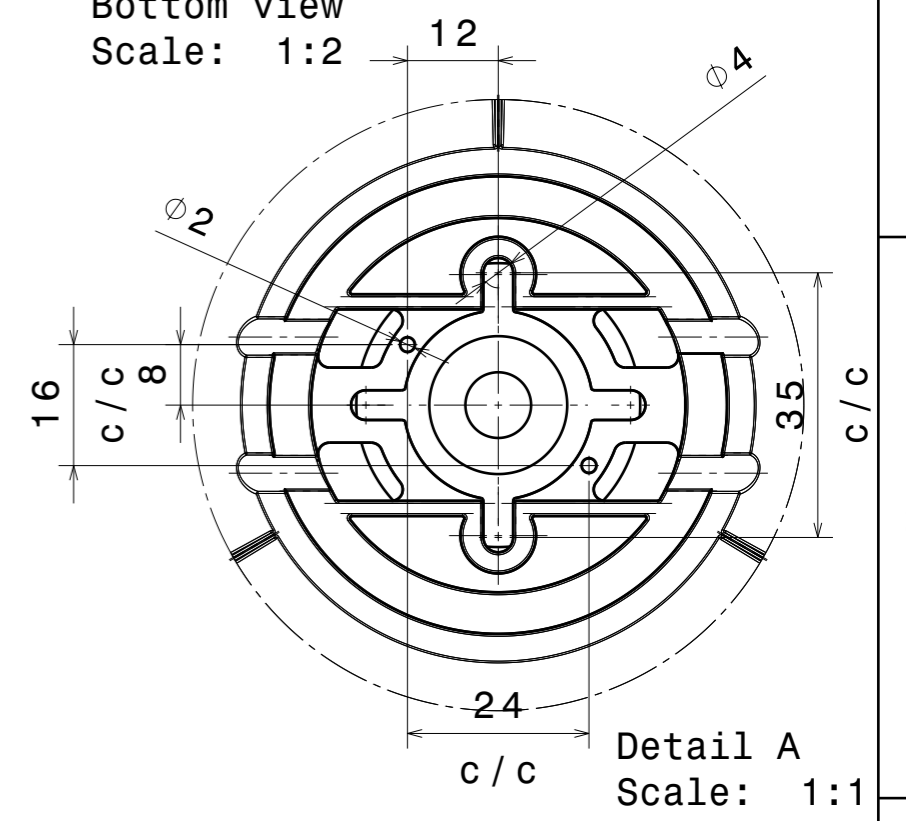
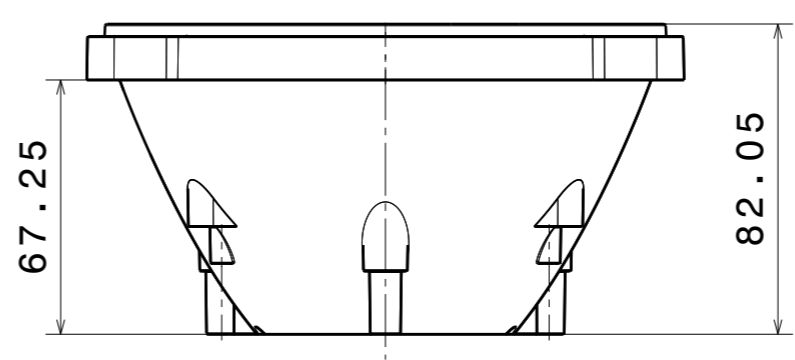
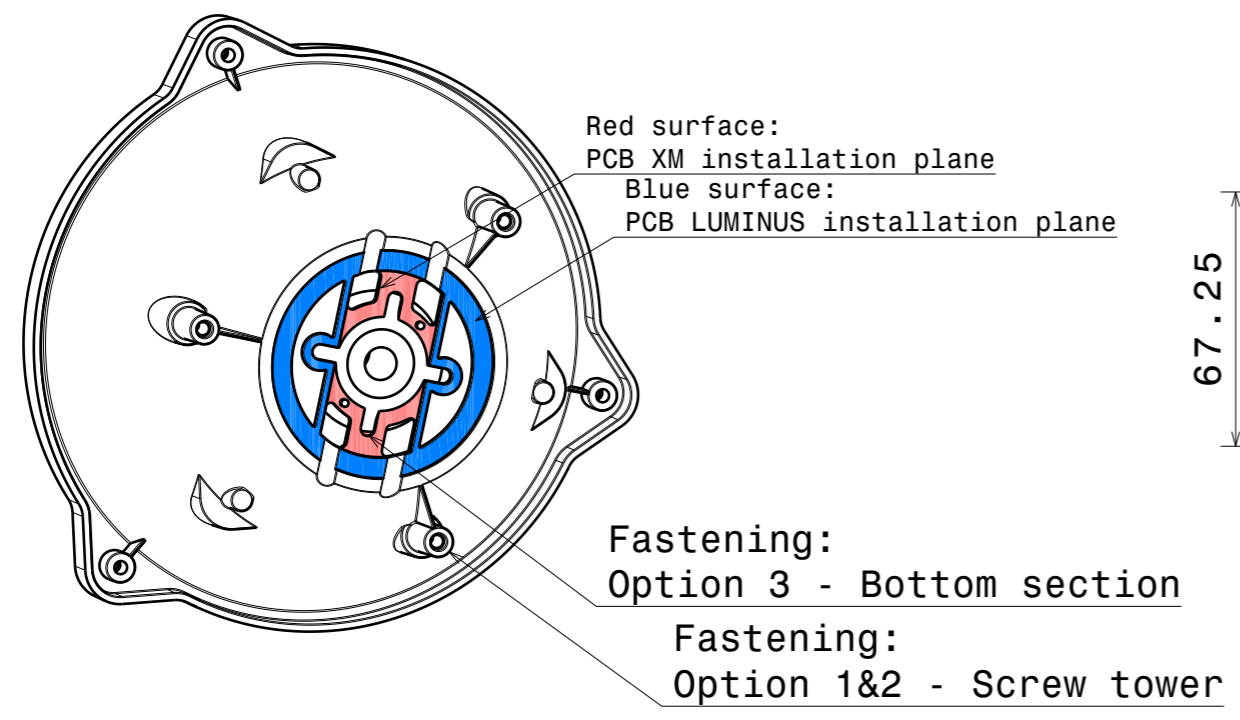
last update 16/3/2017

### OPTICAL PROPERTIES

LED	Viewing Angle	Light Beam	Effi- ciency	cd/lm	Connector
Oslon Square Gen3	1,5 deg	Real spot	94 %	587.000	-



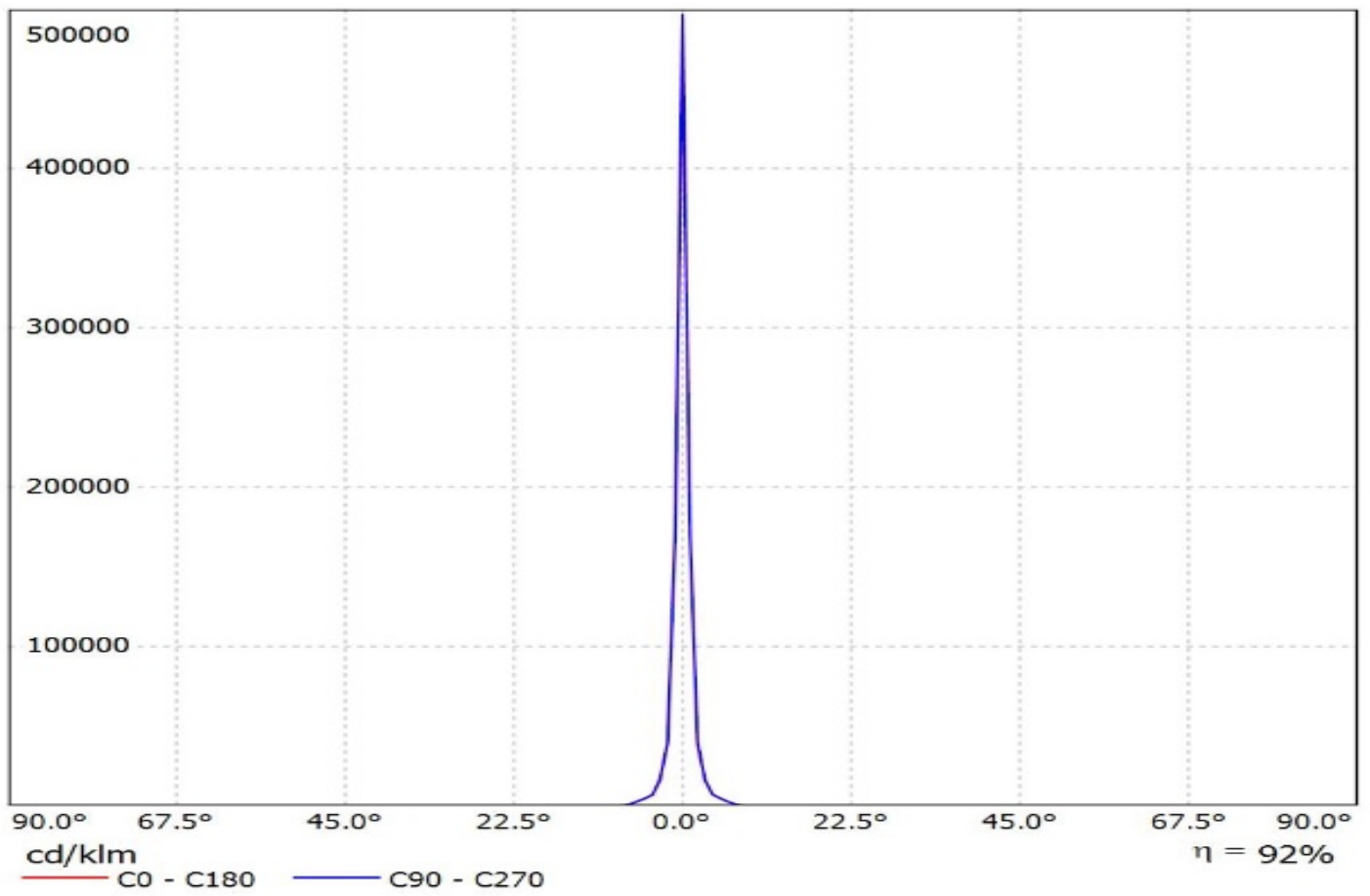
Bottom view  
Scale: 1:2



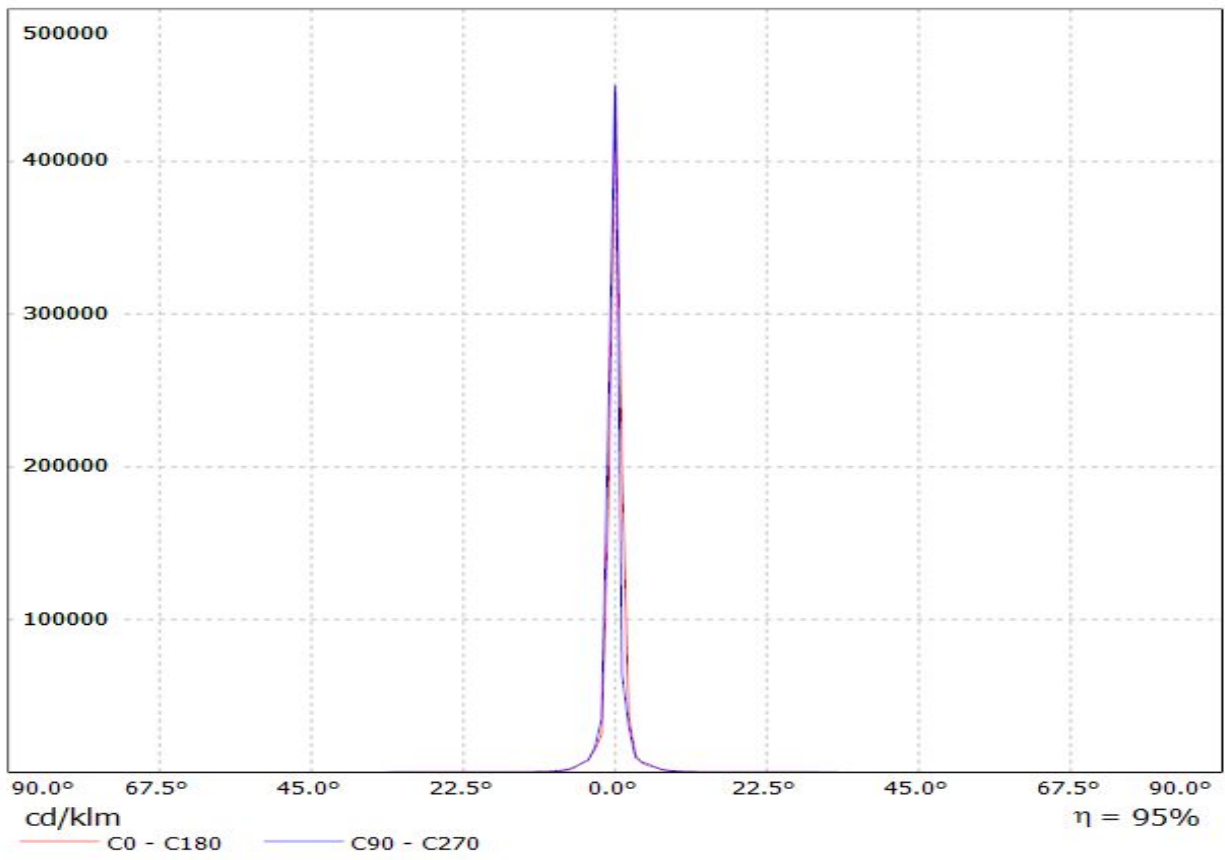
- Fastening:**
- Option 1 - Fastening from top side through screw towers
  - Option 2 - Fastening from bottom side through heatsink and pcb to screw towers
  - Option 3 - Fastening from top side using bottom section screw holes

<small>Tolerances if not otherwise shown According to DIN ISO 2768-1 Linear measures: Up to 30mm class M, otherwise class C. According to DIN ISO 2768-2 Form and position: class L</small>		LediL Oy Salorankatu 10 FIN 24240 SALO Finland	
<small>THIRD ANGLE PROJECTION:</small>		<b>DRAWING TITLE</b> FCN13895_SEANNA-A	
<b>SIZE</b> A3	<b>PART NUMBER</b> Datasheet		
<b>SCALE</b> 1:2	<b>WEIGHT</b> (g)	<b>SHEET</b> 1/1	

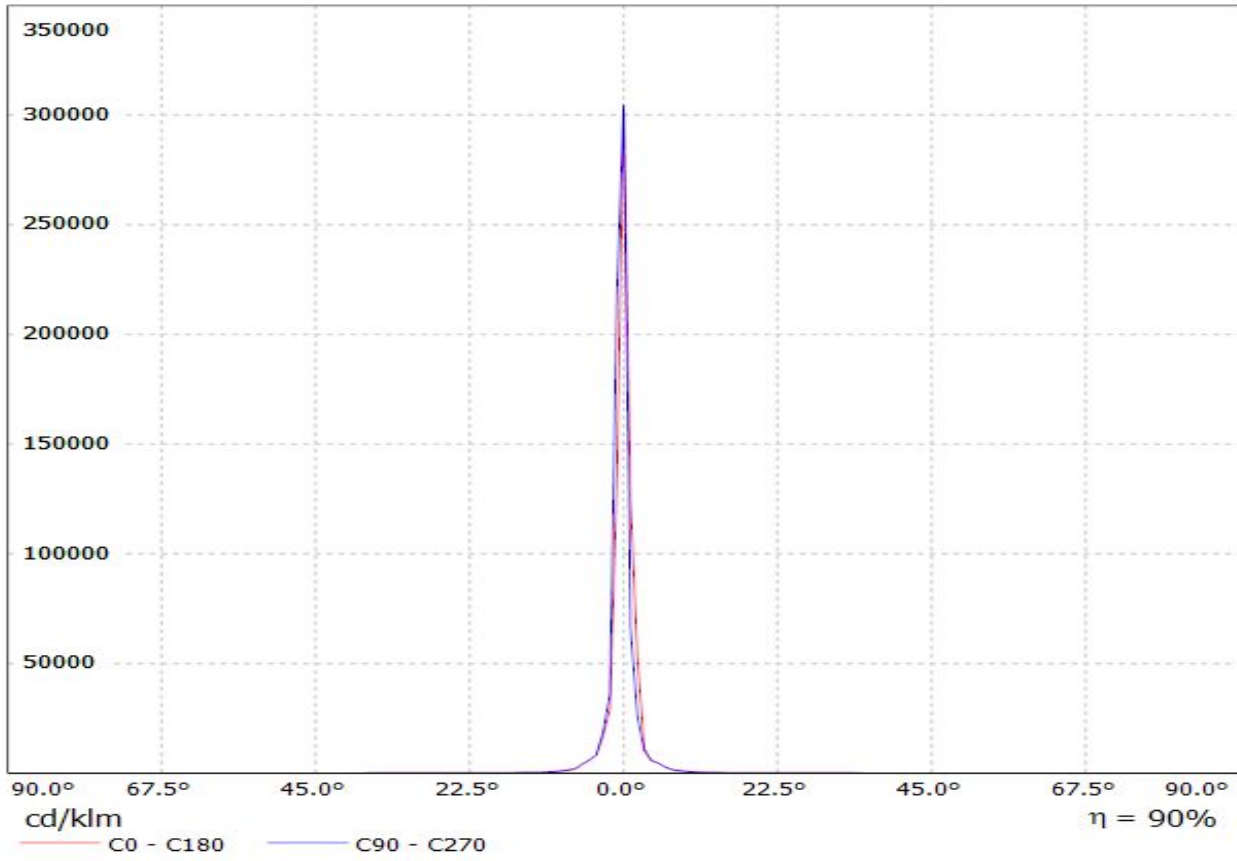
Luminaire: Ledil Oy FCP13895\_SEANNA-A\_(XHP35\_HI)\_SIMULATED  
Lamps: 1 x Cree XHP35 HI



Luminaire: LEDiL Oy FCP13895\_SEANNA-A\_(XP-L\_HI)  
Lamps: 1 x Cree\_XP-L\_HI\_(XPLAWT-H-IA0-V20-0B-0001)\_110.74lm@250mA\_P=0.71309W\_I=0.25A

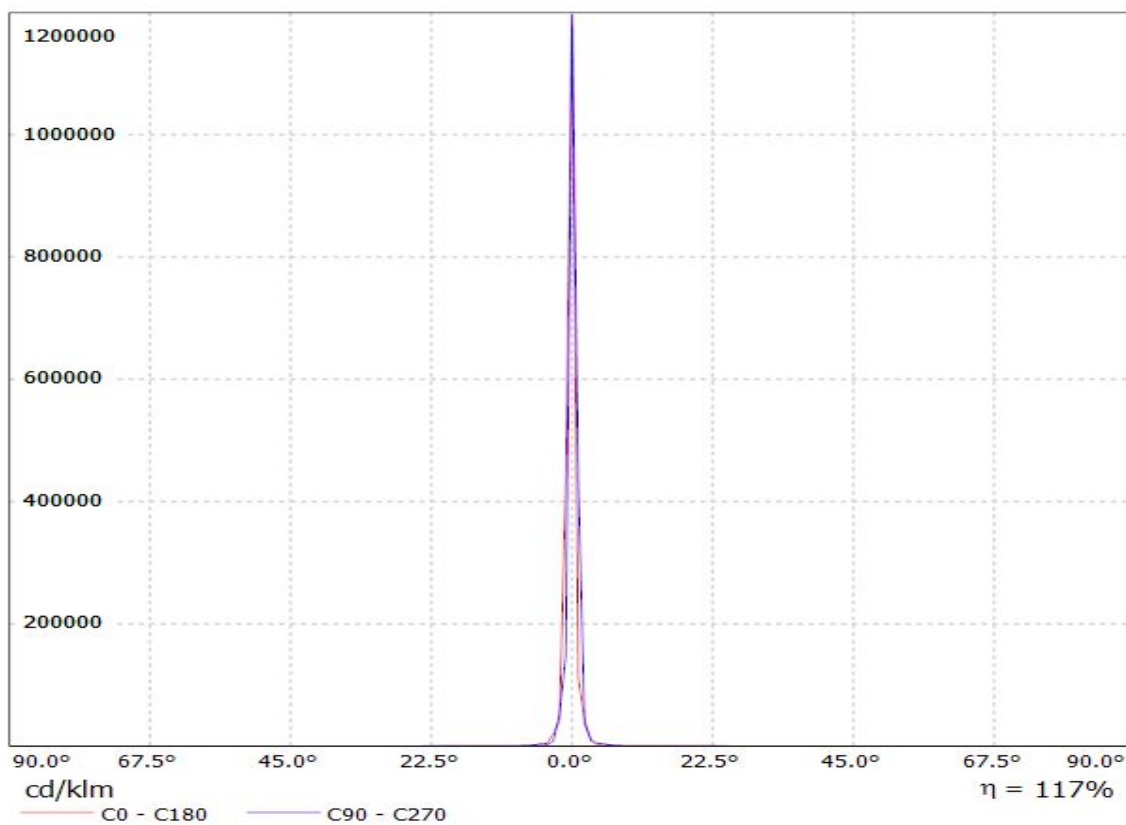


Luminaire: LEDiL Oy FCP13895\_SEANNA-A\_(NVSW319A)  
Lamps: 1 x Nichia\_NVSW319A\_121.606lm@250mA\_P=0.715864W\_I=0.25A



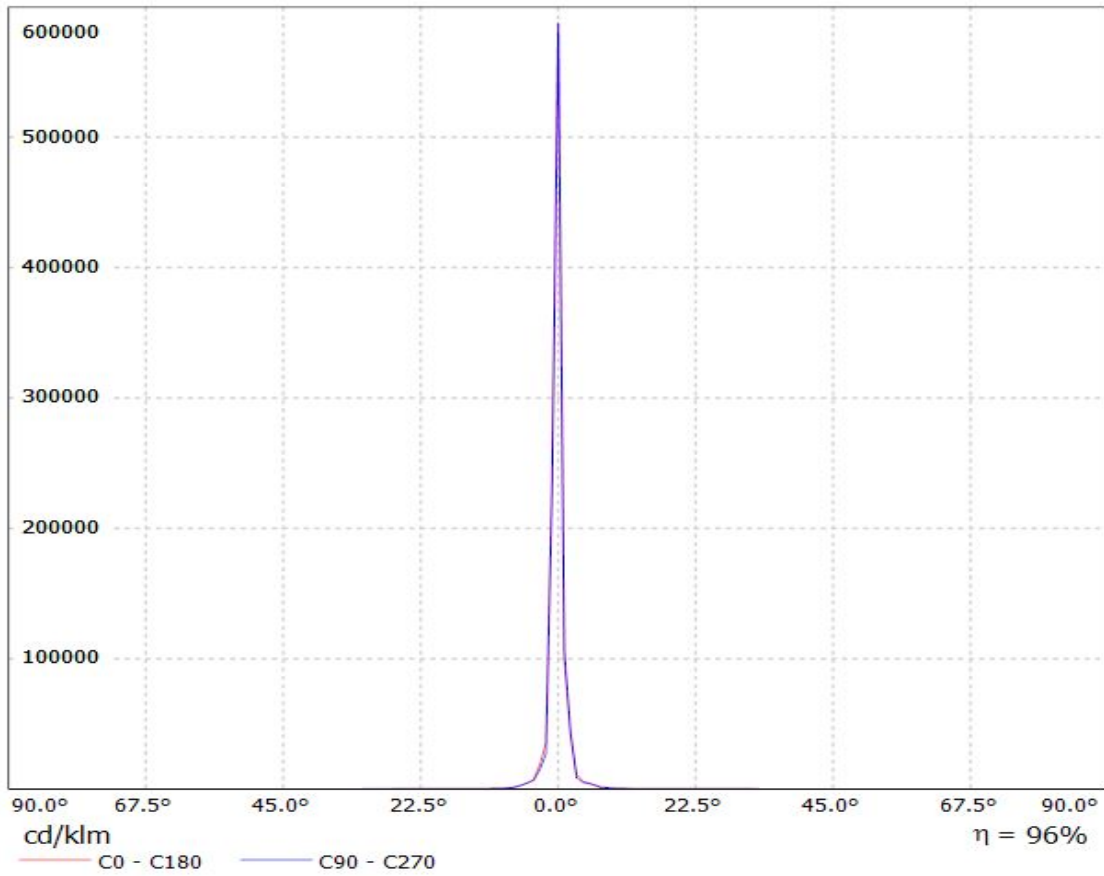
Luminaire: LEDiL Oy FCP13895\_SEANNA-A (Oslon\_Black\_Flat)

Lamps: 1 x Osram\_Oslon\_Black\_Flat\_(LUWHWQP-8M7N-EBVF46FCBB46-8)\_90.0909lm@250mA\_P=0.771216W\_I=0.25A



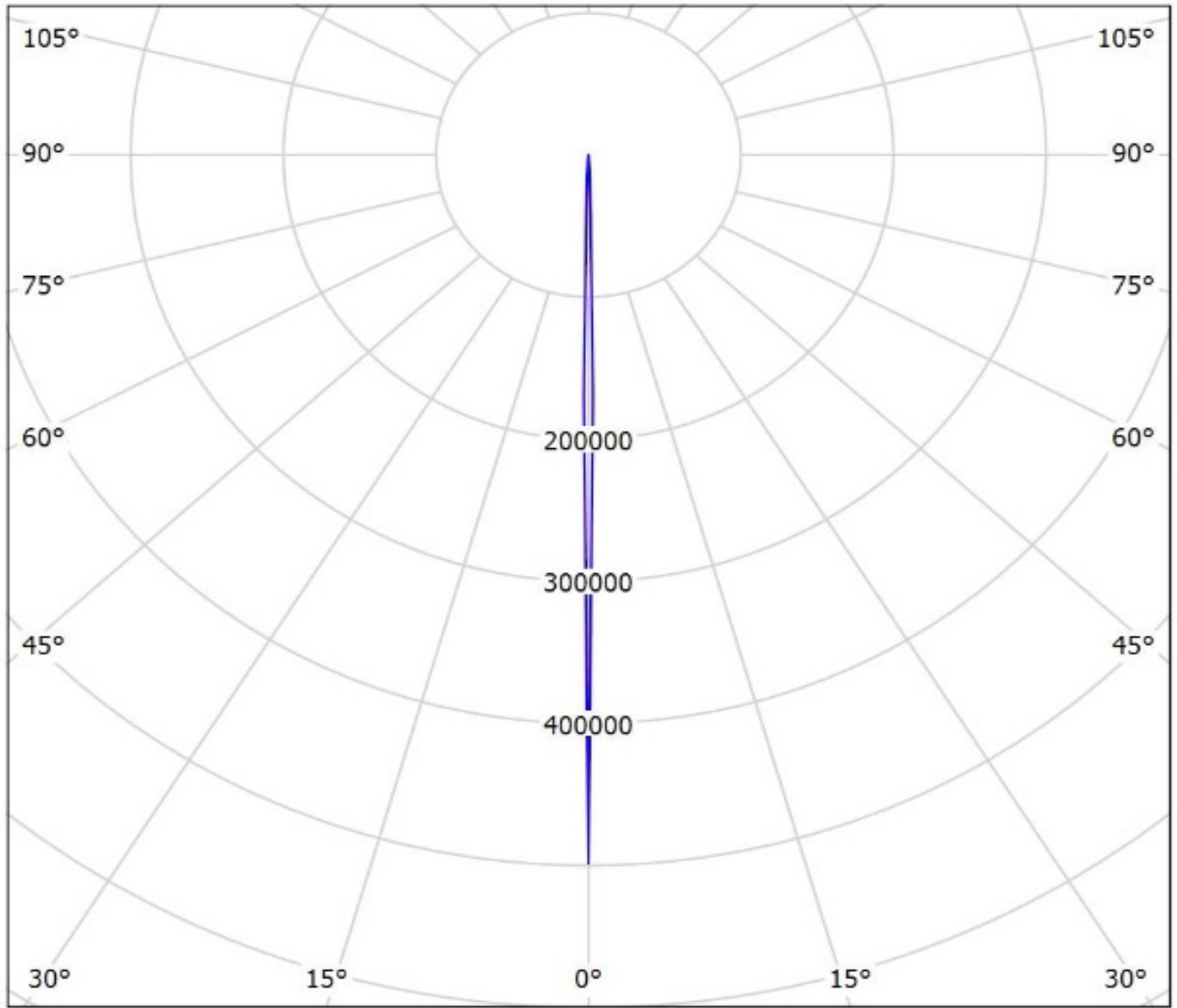
Luminaire: LEDiL Oy FCP13895\_SEANNA-A\_(Square\_Gen3)

Lamps: 1 x Osram\_Oslon\_Square\_Gen3\_(GWCSSRM2.PM-MUNQ-A737-1)\_109.428lm@250mA\_P=0.704143W\_η=0.25A





Luminaire: Ledil Oy FCP13895\_SEANNA-A\_(XHP35\_HI)\_SIMULATED  
Lamps: 1 x Cree XHP35 HI



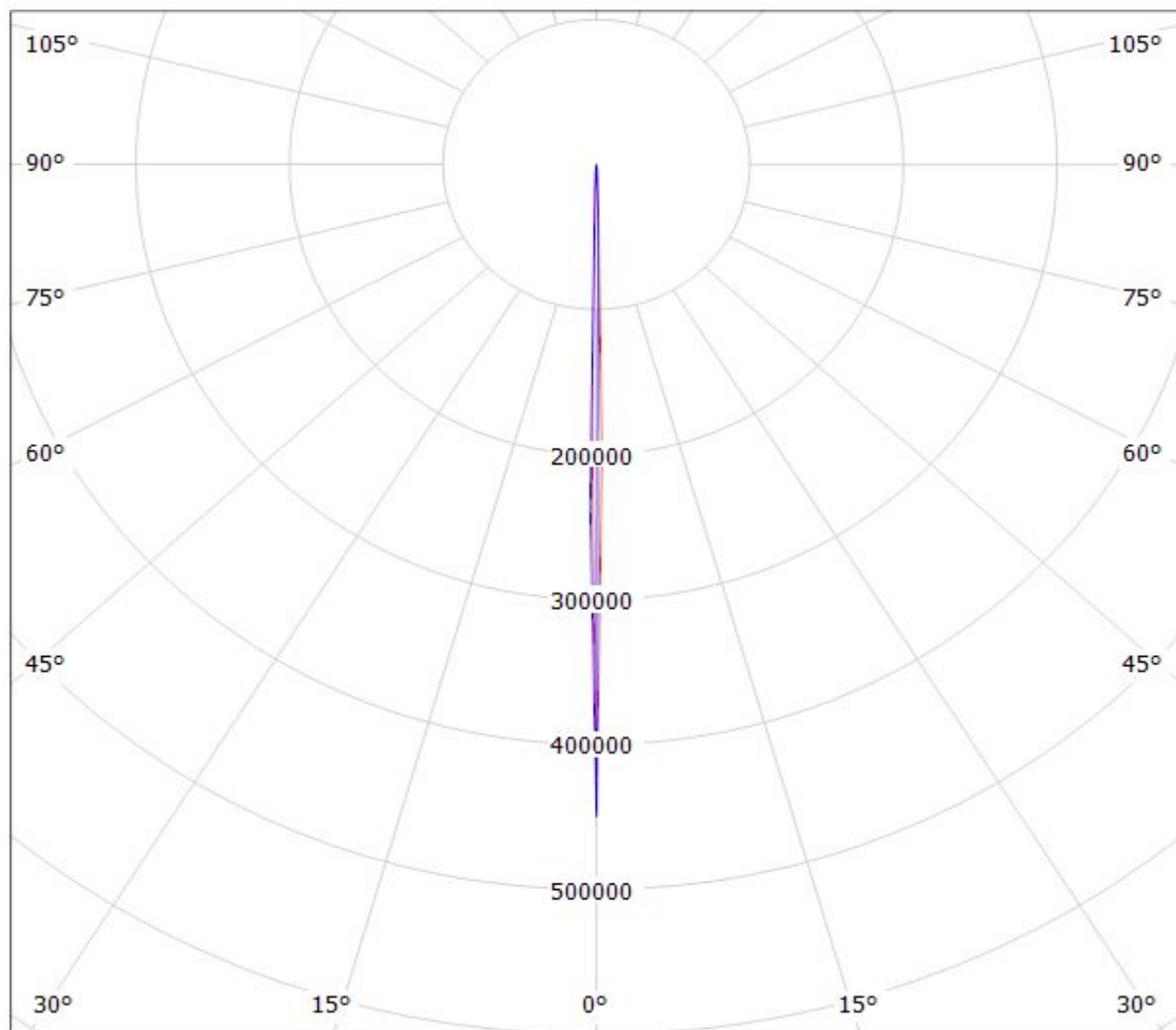
cd/klm

— C0 - C180 — C90 - C270

$\eta = 92\%$

Luminaire: LEDiL Oy FCP13895\_SEANNA-A\_(XP-L\_HI)

Lamps: 1 x Cree\_XP-L\_HI\_(XPLAWT-H-IA0-V20-0B-0001)\_110.74lm@250mA\_P=0.71309W\_I=0.25A

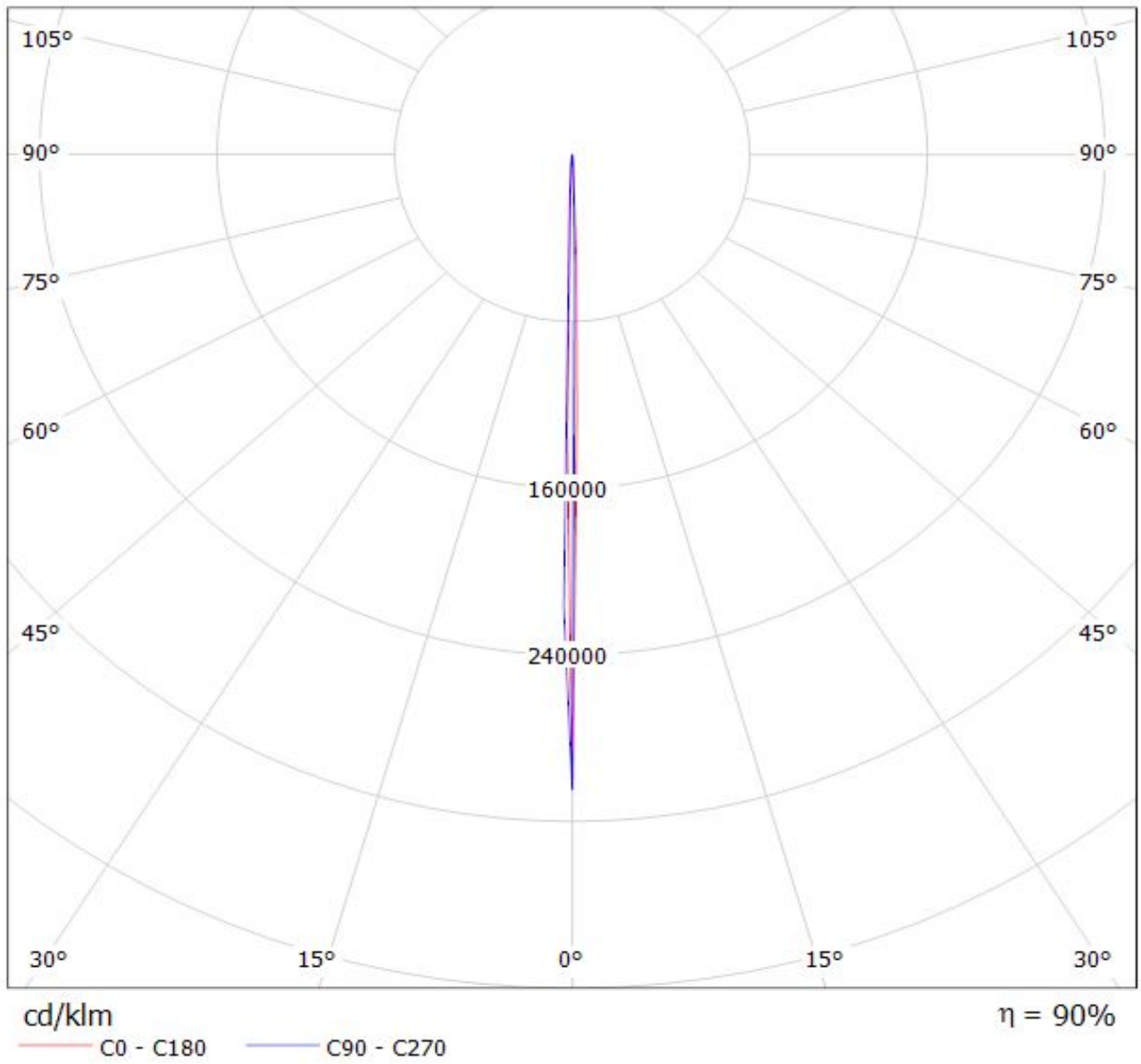


$\eta = 95\%$

— C0 - C180 — C90 - C270

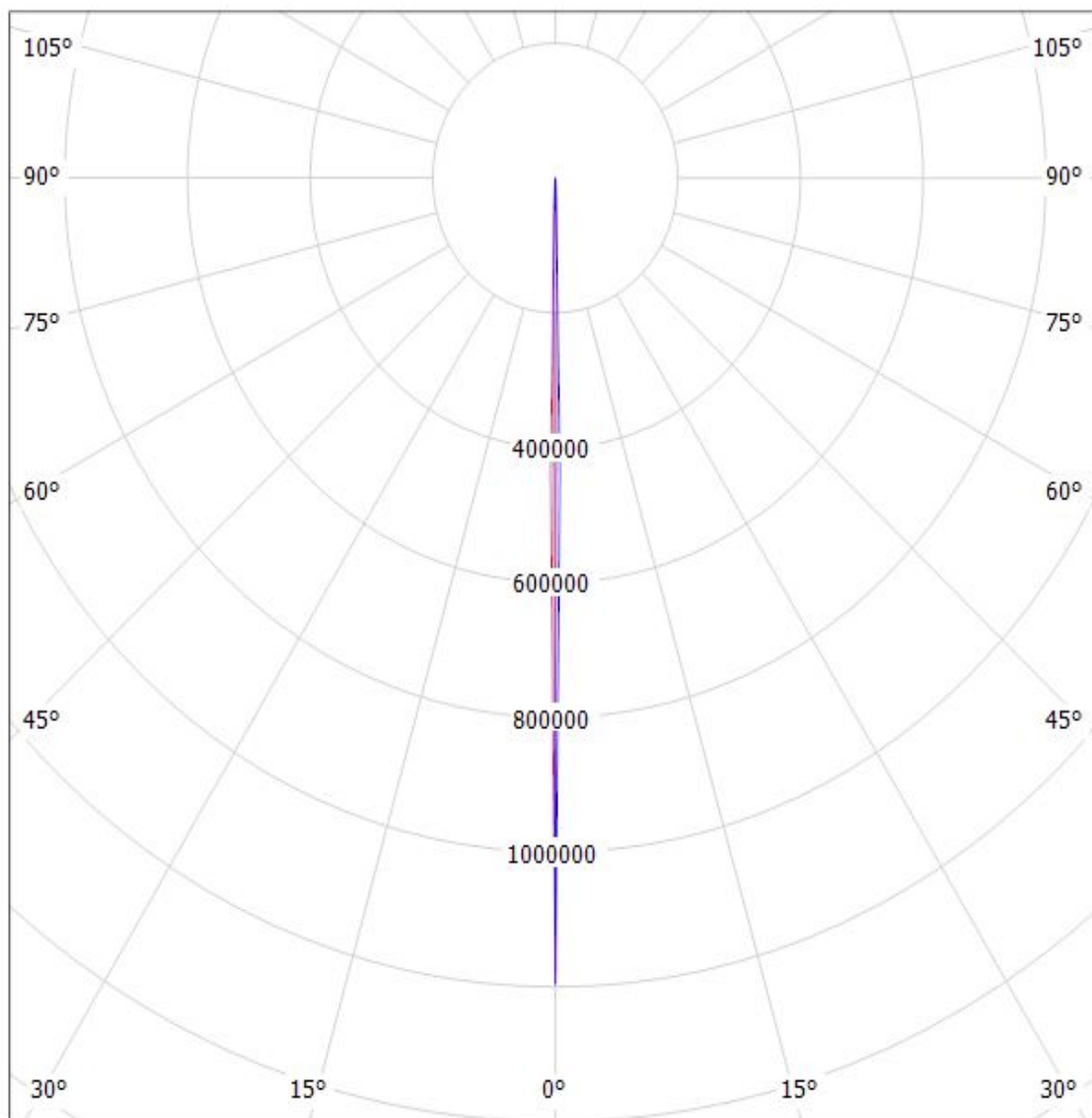
Luminaire: LEDiL Oy FCP13895\_SEANNA-A\_(NVSW319A)

Lamps: 1 x Nichia\_NVSW319A\_121.606lm@250mA\_P=0.715864W\_I=0.25A



Luminaire: LEDiL Oy FCP13895\_SEANNA-A\_(Oslon\_Black\_Flat)

Lamps: 1 x Osram\_Oslon\_Black\_Flat\_(LUWHWQP-8M7N-EBVF46FCBB46-8)\_90.0909lm@250mA\_P=0.771216W\_I=0.25A



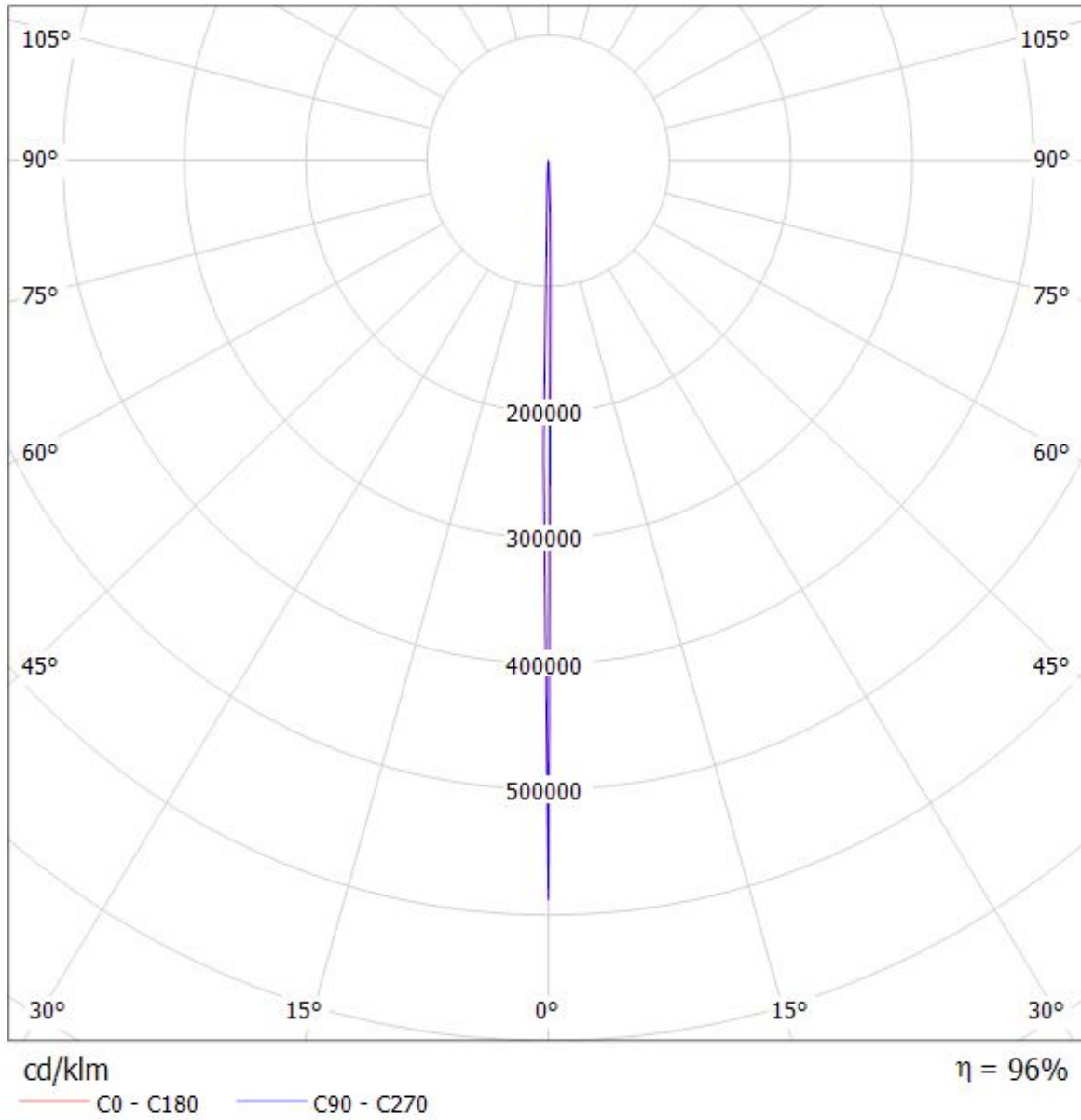
cd/klm

— C0 - C180 — C90 - C270

$\eta = 117\%$

Luminaire: LEDiL Oy FCP13895\_SEANNA-A\_(Square\_Gen3)

Lamps: 1 x Osram\_Oslon\_Square\_Gen3\_(GWCSSRM2.PM-MUNQ-A737-1)\_109.428lm@250mA\_P=0.704143W\_I=0.25A



**NOTE: The typical divergence will be changed by different color, chip size and chip position tolerance. The typical total divergence is the full angle measured where the luminous intensity is half of the peak value.**