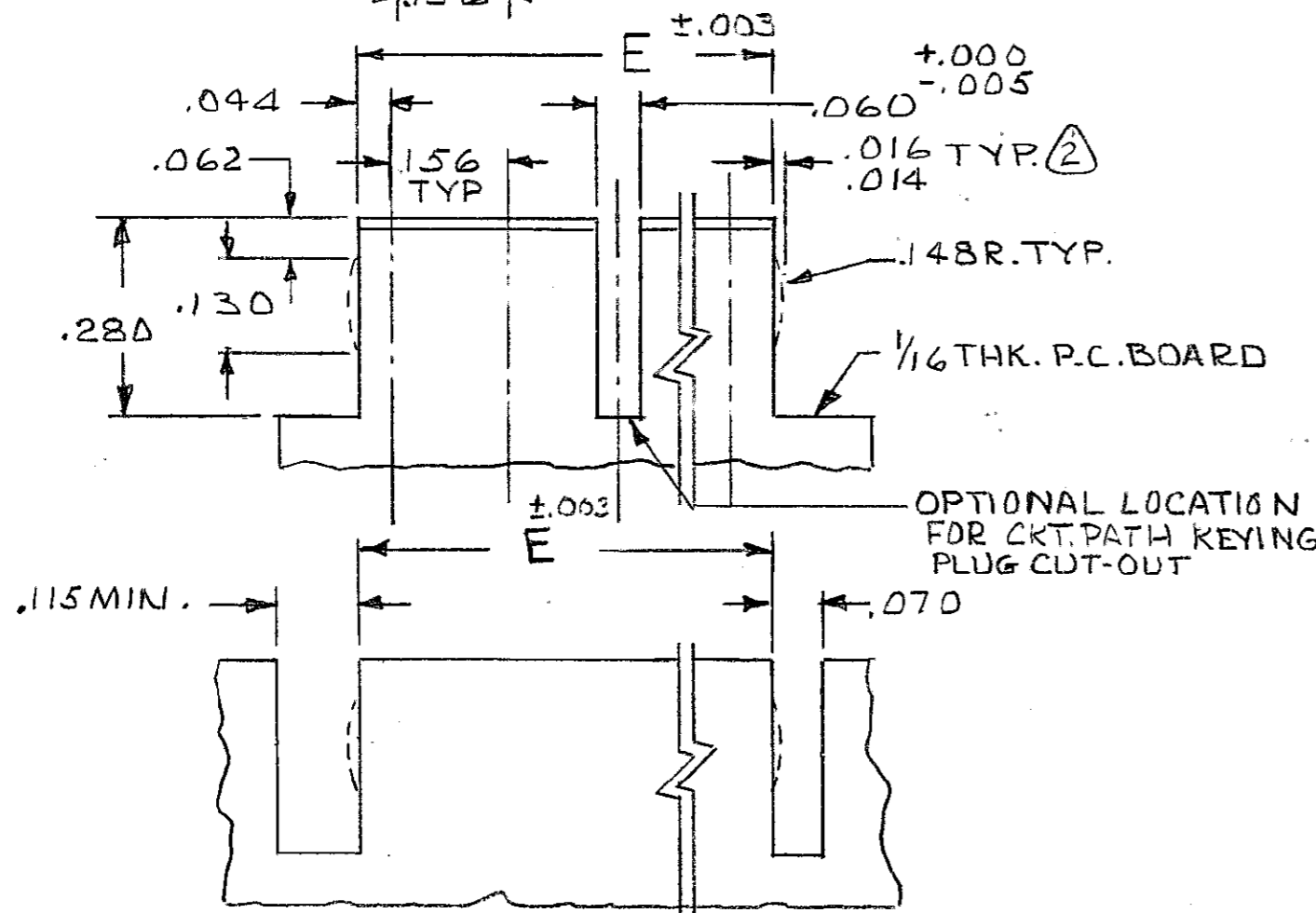
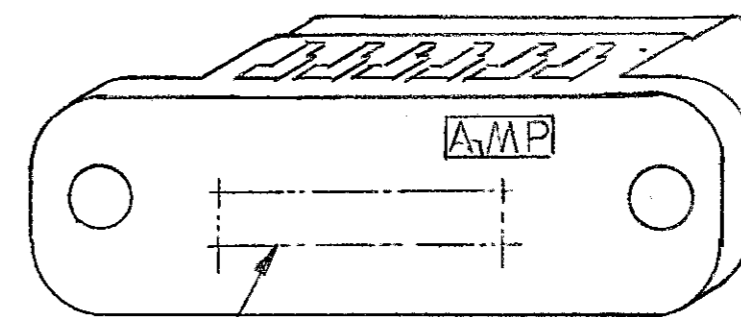
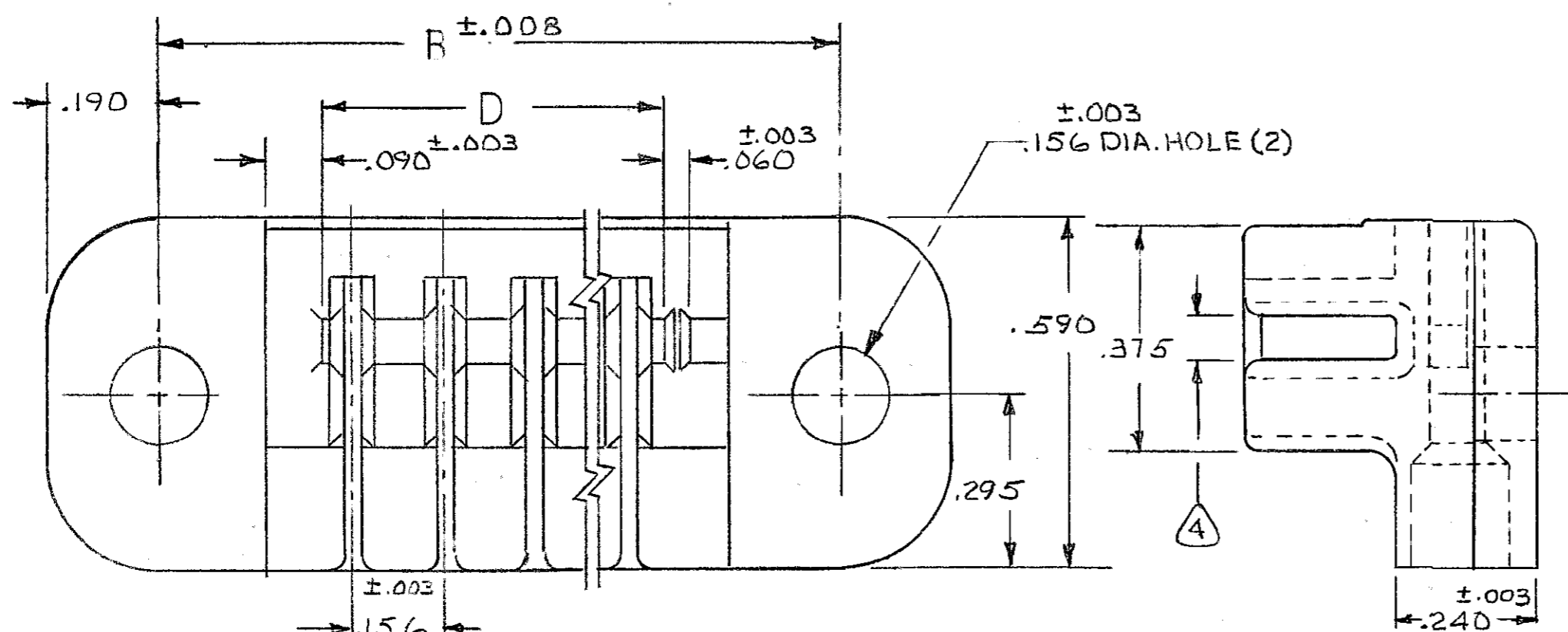
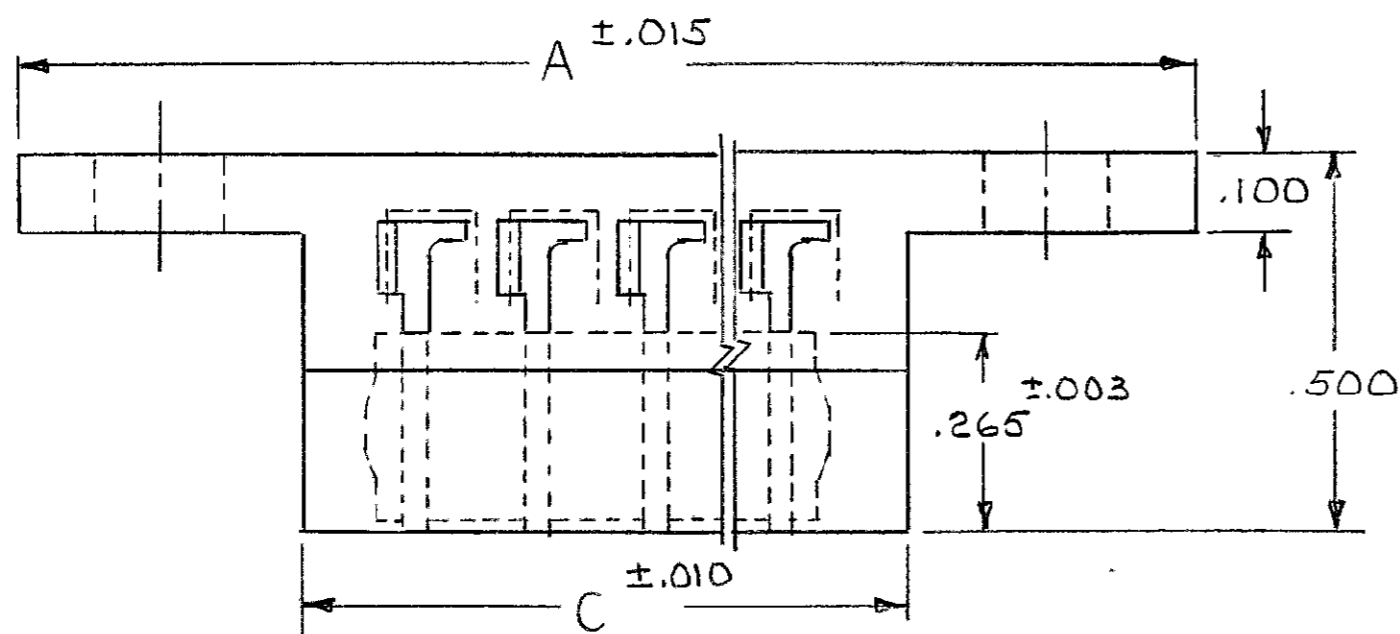


© COPYRIGHT 1975 BY AMP INCORPORATED, HARRISBURG, PA.
 ALL INTERNATIONAL RIGHTS RESERVED. AMP INCORPORATED PRODUCTS
 COVERED BY U. S. AND FOREIGN PATENTS AND/OR PATENTS PENDING.

REVISIONS						
P	F	ZONE	LTR	DESCRIPTION	DATE	APPROVED
			A1	ADDED 1- - 6 m.s. 7434	6-81	
			A2	OBS -4 PER AD1253	7-1-86	CP /CS
			B	OBS -5 /AD 1746	6-87	
			C	REV PER AD2190	1/89	CP
			D	REV PER 0010-1143-95	11-95	P.B.
			E	REV PER EC 0G3C-233-01	02OCT01	MM
			E1	REVISED PER ECO-09-026346	NOV09	AEG



OPTIONAL CUT-OUTS

1. REFER TO 530501 TO 530508 FOR TERMINALS
2. RETAINING DIMPLES ARE OPTIONAL IN BOTH CUT-OUTS
3. CARD SLOTS AND MOUNTING HOLE DIMENSIONS TO BE CHECKED WITH HOUSING RESTRAINED AS MOUNTED.
4. FIT FOR .055-.070 P.C. BOARD.
5. IDENTIFICATION MARKING OMITTED.
6. OBSOLETE PARTS: OBSOLETE CIS STREAMLINING PER D.RENAUD/D.SINISI

	5	1.805	1.818	2.028	2.408	2.788	12	1-530509-6
6	OBSOLETE	3.365	3.378	3.588	3.968	4.348	20	530509-4
		2.741	2.754	2.964	3.344	3.724	18	530509-8
		2.117	2.130	2.340	2.720	3.100	14	530509-7
6	OBSOLETE	1.805	1.818	2.028	2.408	2.788	12	530509-6
		.712	.730	.936	1.316	1.696	5	530509-5
	OBSOLETE	.400	.414	.624	1.004	1.384	3	530509-4
6	OBSOLETE	2.272	2.286	2.496	2.876	3.256	15	530509-3
		1.337	1.350	1.560	1.940	2.320	9	530509-2
		.868	.882	1.092	1.472	1.852	6	530509-1

		E	D	C	B	A	NO. OF POS.	PART NO
UNLESS OTHERWISE SPECIFIED DIMENSIONS ARE IN INCHES. TOLERANCES ON: DECIMALS ±.005 ANGLES ±		CONTRACT NO		AMP INCORPORATED Harrisburg, Pa.				
MATERIAL NYLON		DR Rumble 2-26-75		NAME HOUSING, DUO-TYNE FLAG WITH MOUNTING EARS.				
FINISH		CHK Rumble 2-26-75		SIZE CODE IDENT NO DRAWING NO C 00779 530509				
		APPD M. Sushoy 2-27-75		REV E1				
		APPD R. Shuman 2-27-75		SCALE 4-1 SHEET 1 OF 1				
		DSGN APPD						
		OTHER APPD						