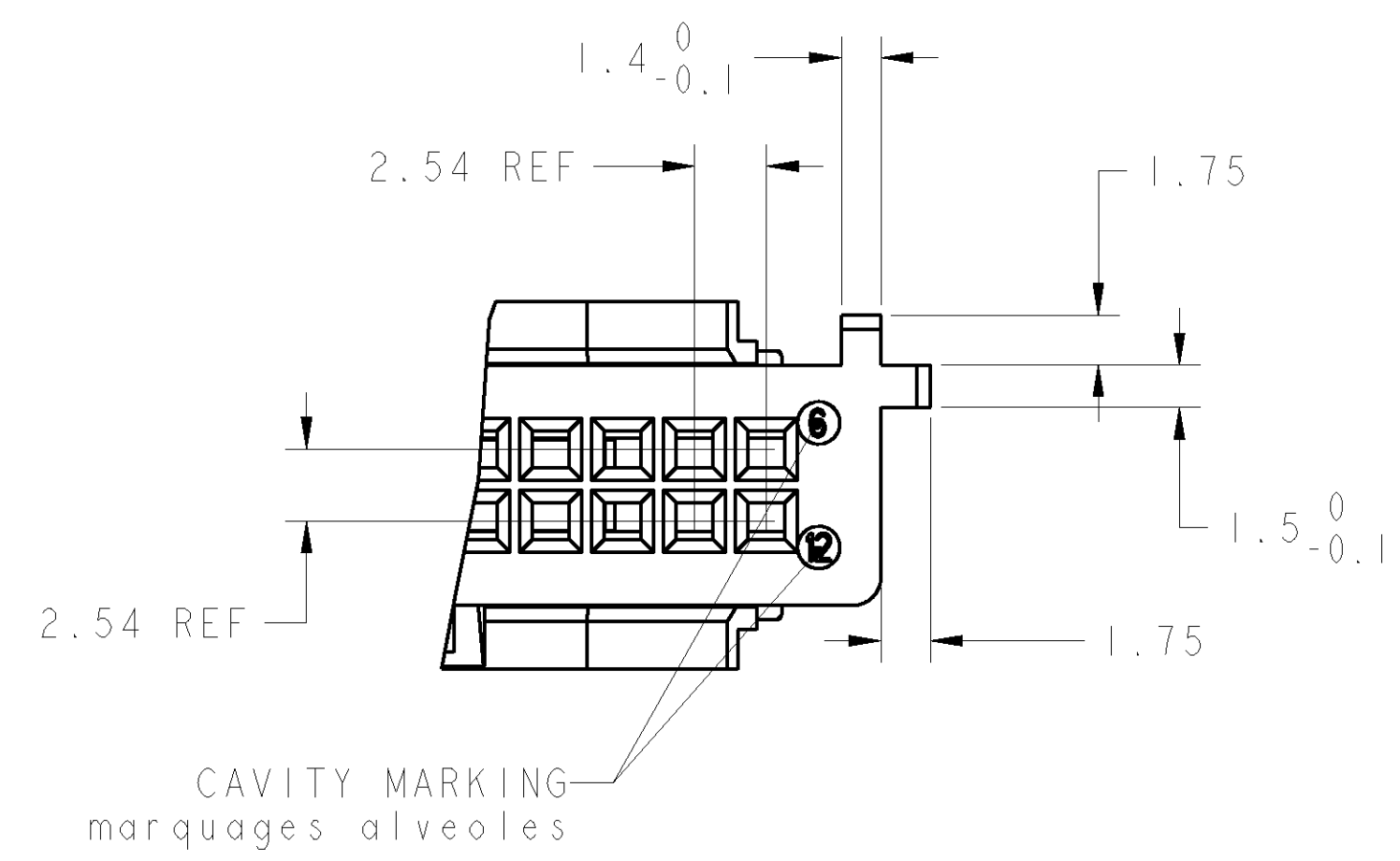
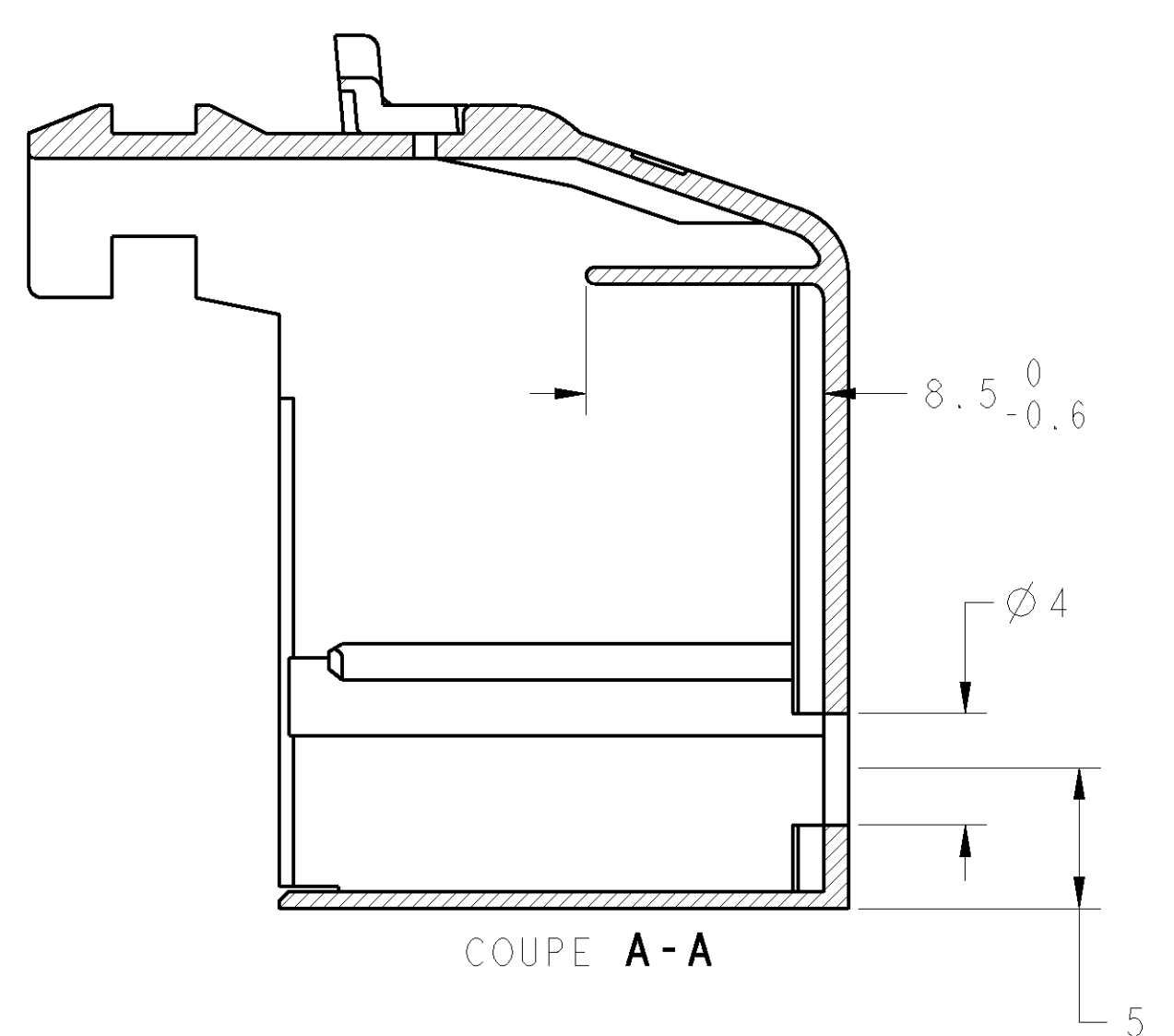
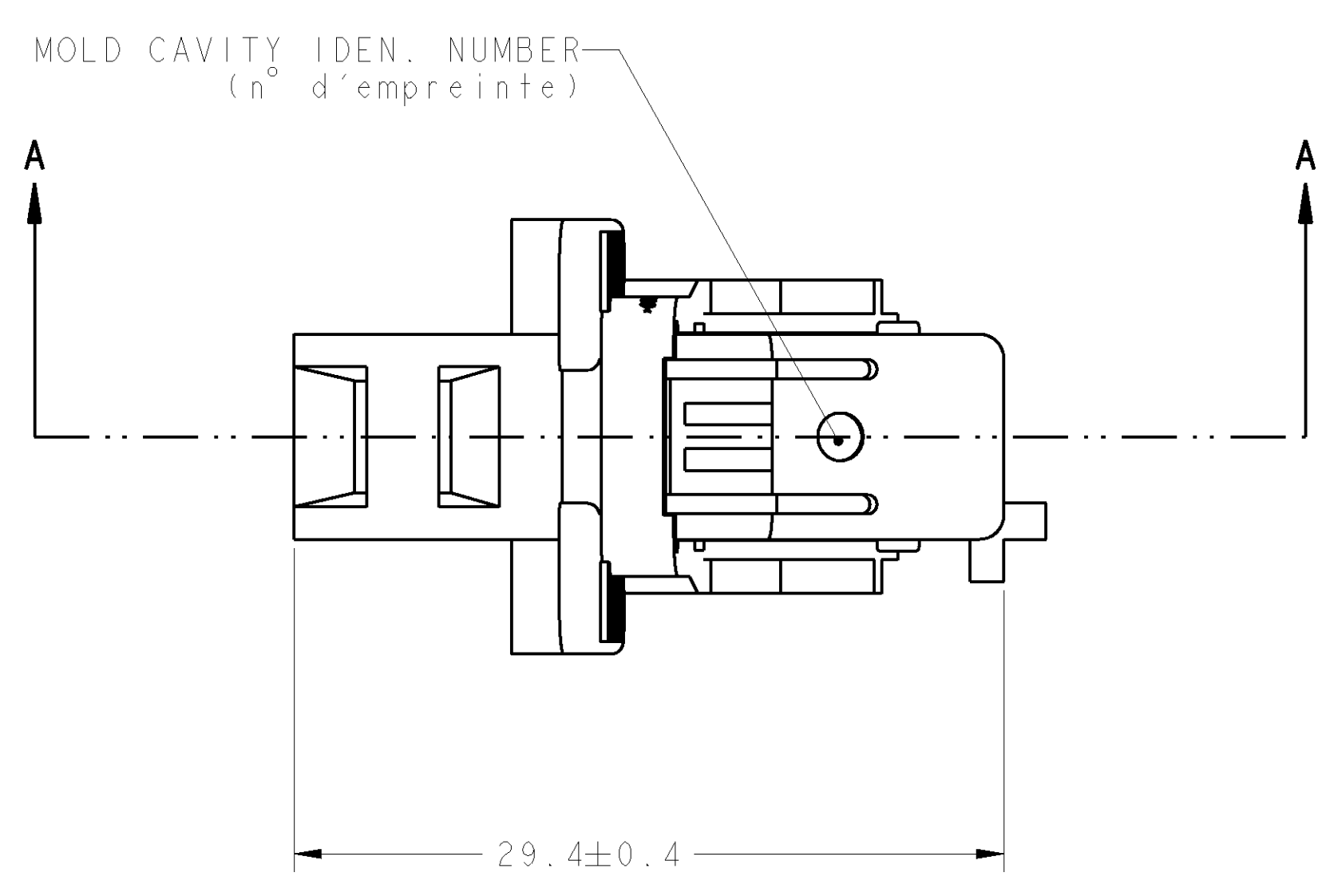
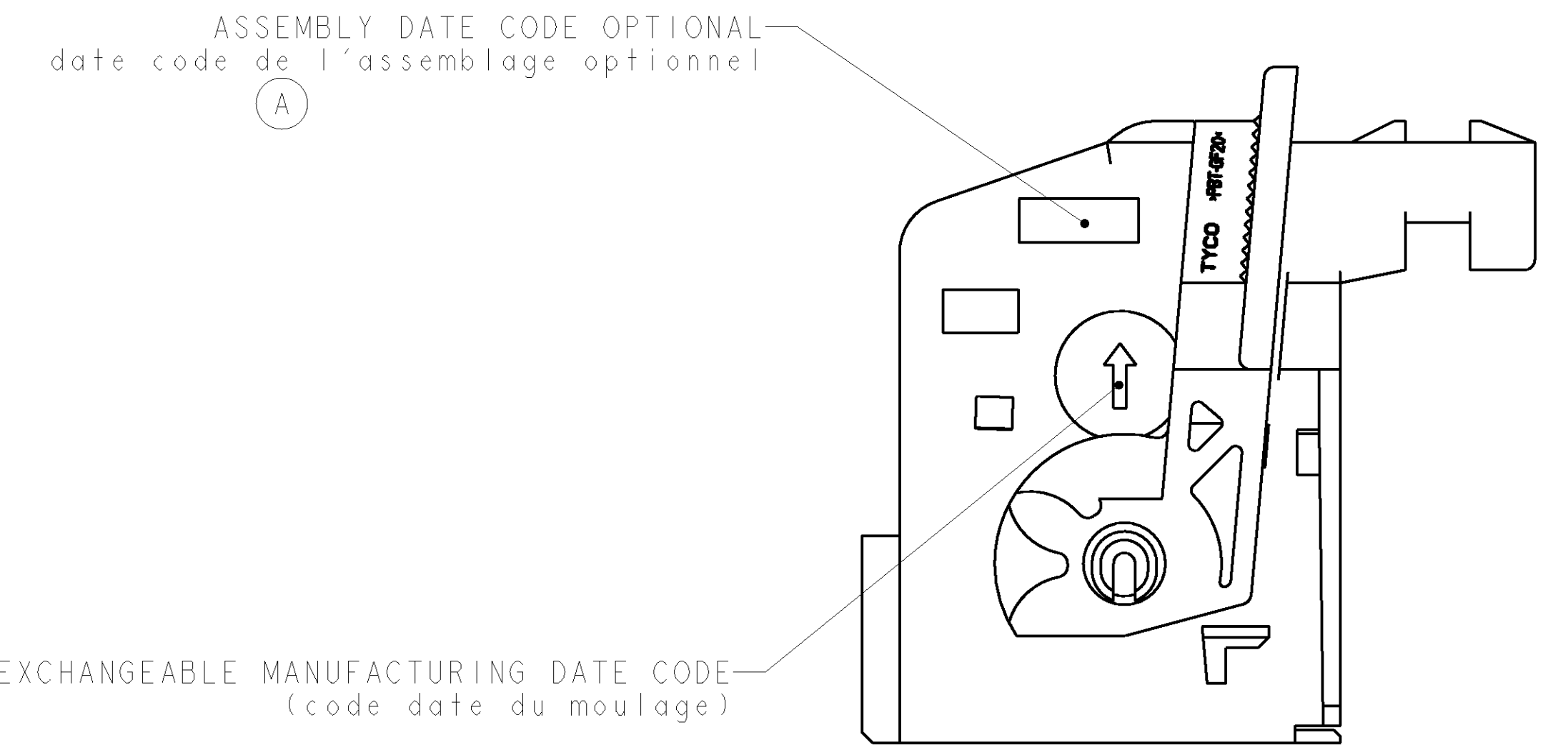
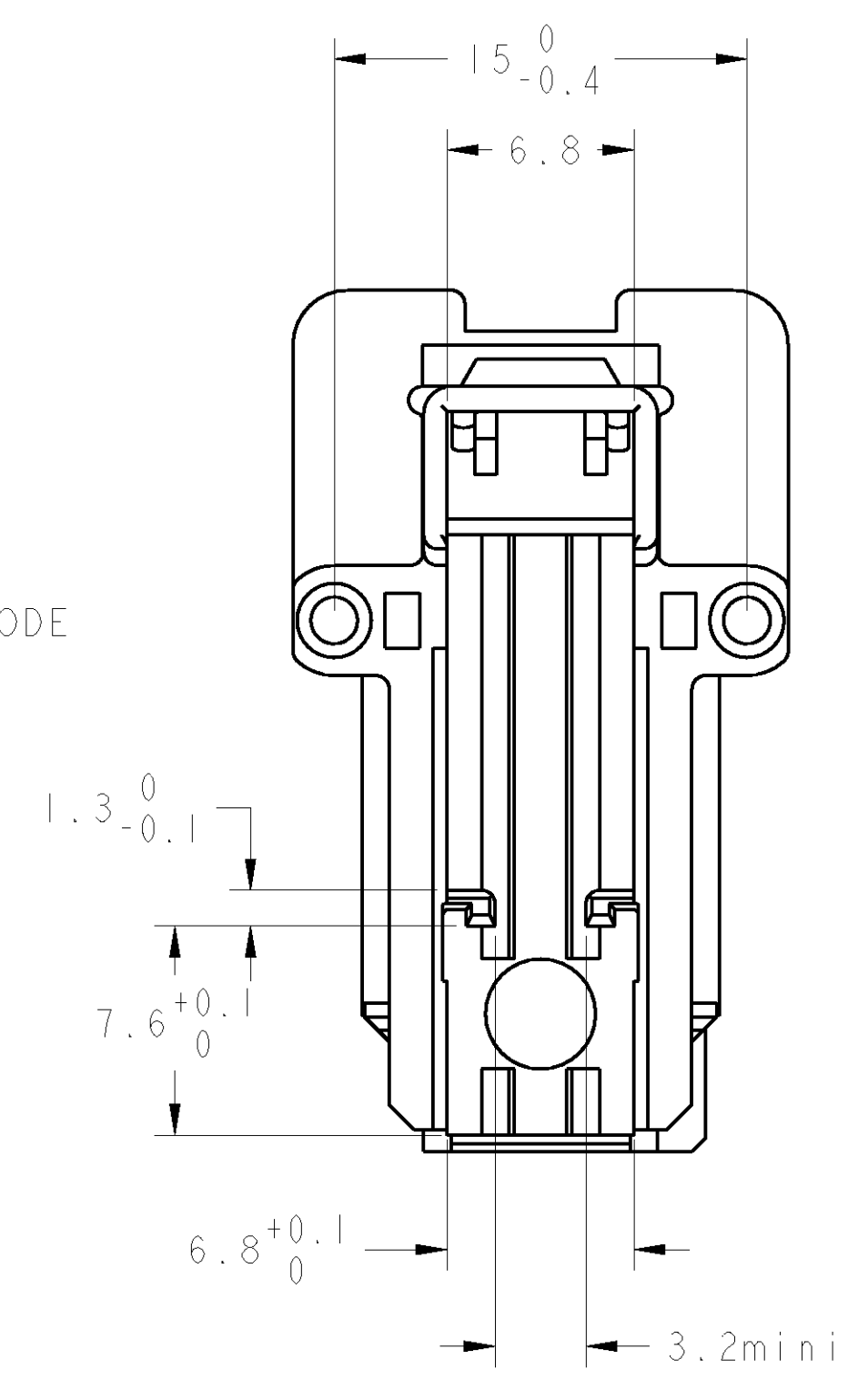
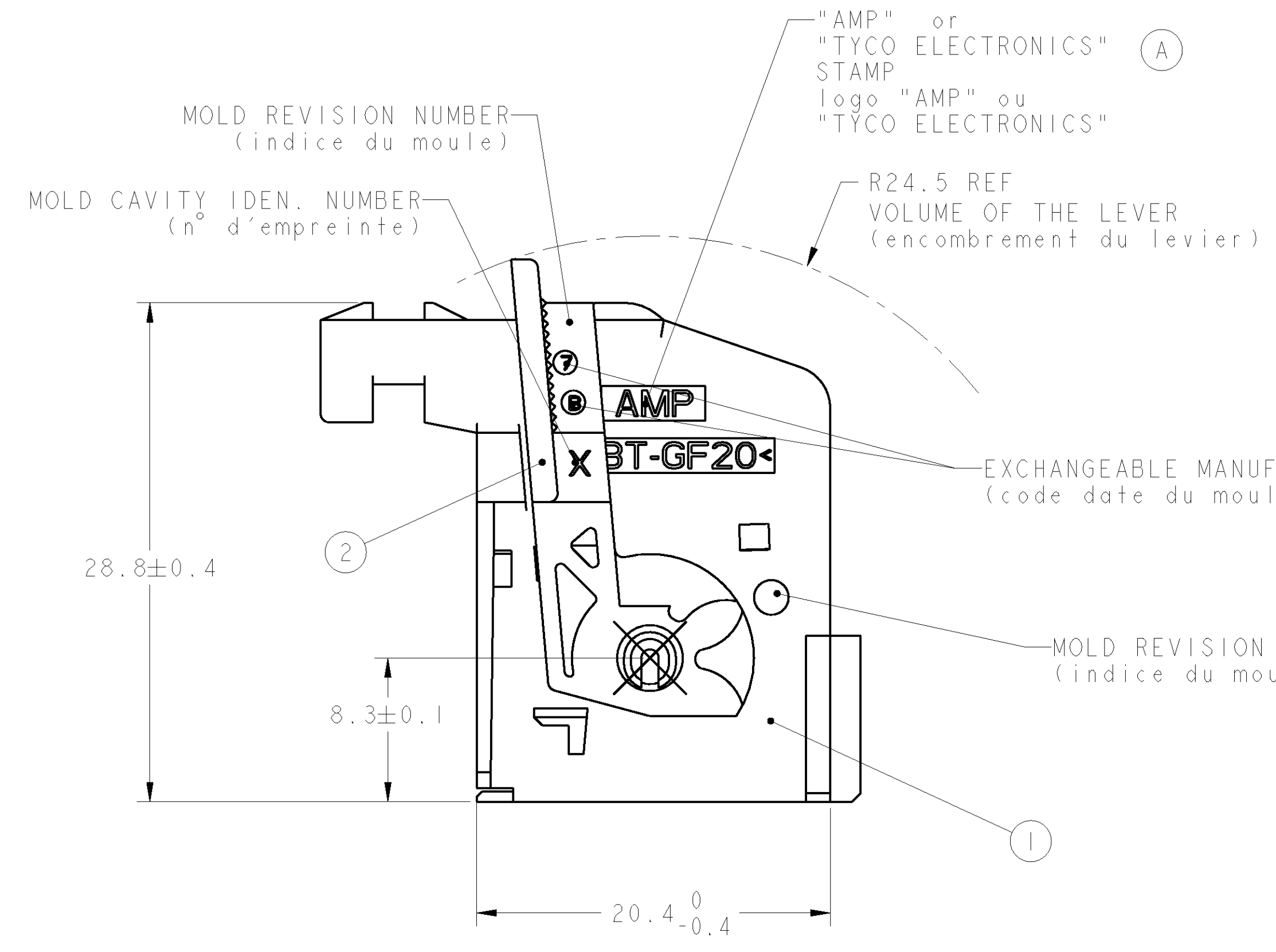


LOC	DIST	REV	DESCRIPTION	DATE	OWN	APPV
F	7	A	ADDED ASSEMBLY DATE CODE	13JUL2007	MP	XR



DESIGNATION	REP.	Q.	MATERIAL	TE PN	COLOR	KEYING
designation	REP.	Q.	matiere	ref TE	couleur	detrompage
COVER FOR MQS	1	1	PBT GF 20%	185343-2	BLUE bleu	
LEVER	2	1	PBT GF 20%		BLACK noir	
COVER FOR MQS	1	1	PBT GF 20%	185343-1	BROWN marron	
LEVER	2	1	PBT GF 20%		BLACK noir	



DIMENSIONS: mm TOLERANCES: UNLESS OTHERWISE SPECIFIED: 0 PLC / DEC: ±0.2 1 PLC / DEC: ±0.1 2 PLC / DEC: ±0.2 3 PLC / DEC: ±0.1 4 PLC / DEC: ±0.1 ANGLES: °		TOLERANCES: UNLESS OTHERWISE SPECIFIED: 0 PLC / DEC: ±0.2 1 PLC / DEC: ±0.1 2 PLC / DEC: ±0.2 3 PLC / DEC: ±0.1 4 PLC / DEC: ±0.1 ANGLES: °		DWN / DESSINE: M. POLIFONTE 17AUG99 CHK / VERIFIE: JP. PICAUD 17AUG99 APVD / APPROUVE: J. REVIL 17AUG99		AMP DE FRANCE 95301 PONTOISE Tyco Electronics	
MATERIAL MATIERE TABLE voir tableau FINISH FINITURE TABLE voir tableau		WEIGHT MASSE APPROX. 3.2gr CUSTOMER DRAWING /PLAN CLIENT		NAME TITRE: COVER + LEVER FOR MQS 12 POS (90°) SIZE CASE CODE DRAWING NO: A100779 FORMAT: 185343		RESTRICTED TO RESERVE A SHEET FEUILLE OF DE 1 REV A	