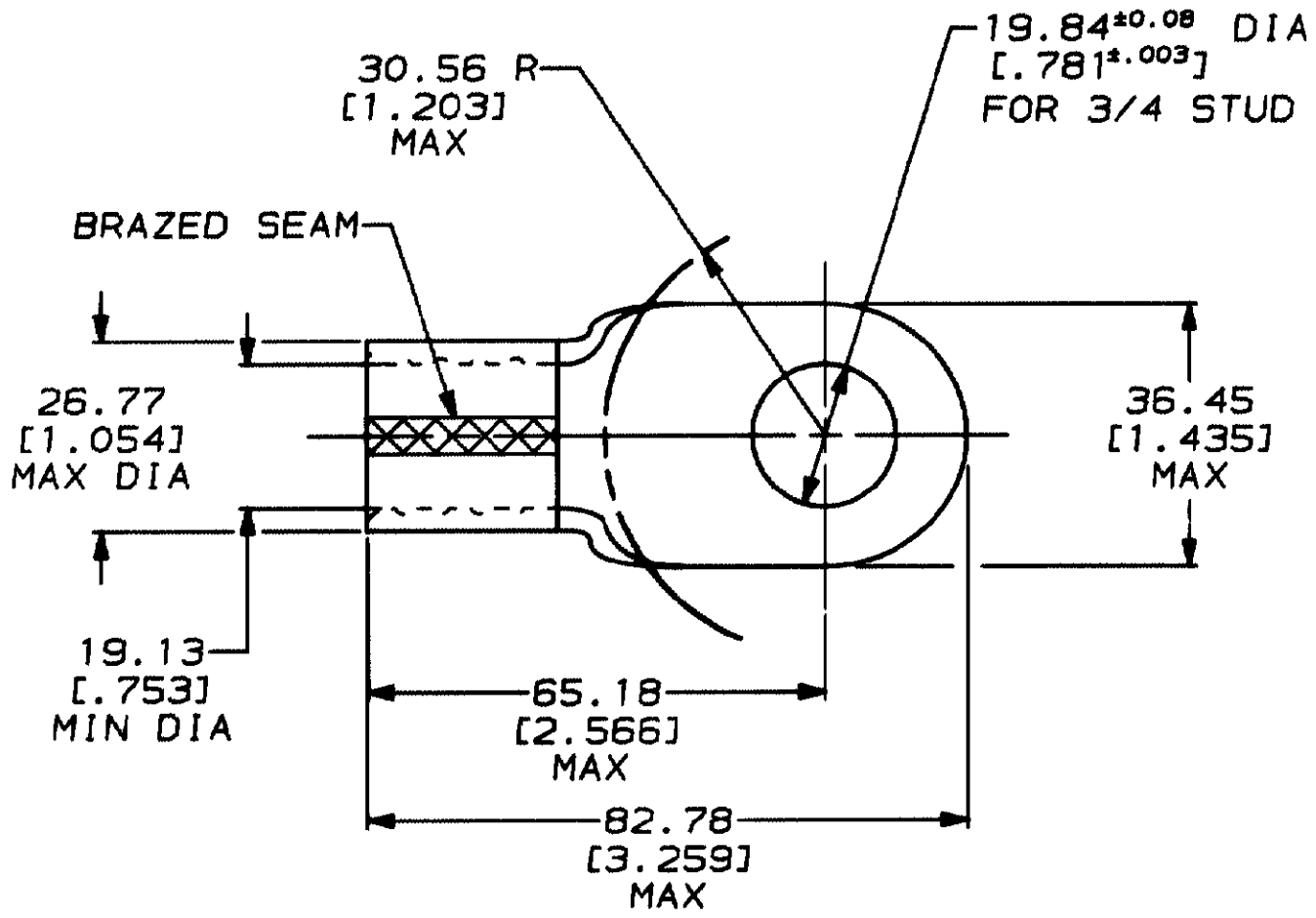


LOC	DIST	P	F	LTR	DESCRIPTION	DATE	APPROVED
G	14			B	REVISED & REDRAWN PER G-5803	6/12/92	DKS / AJK

THIS DRAWING IS UNPUBLISHED. BY AMP INCORPORATED. ALL INTERNATIONAL RIGHTS RESERVED.



323140
PART NO

DO NOT SCALE PRINT. UNLESS SPECIFIED DIMENSIONS IN mm [IN] TOLERANCES ON:
 1 PLC DEC * 0.20 [.008]
 2 PLC DEC * -
 3 PLC DEC * -
 ANGLES * -

MATERIAL
 COPPER ASTM B-152 ANNEALED

FINISH
 TIN PLATE
 0.00254 [.000100] MIN THK PER MIL-T-10727

DR 6/12/92
 DK SCHUM

CHK 6/26/92
 RD HEIM

APPD 6/26/92
 AJ KAUFMAN

APPD 6/26/92
 CR RHODAS

PRODUCT SPEC
 -

APPLICATION SPEC
 -

WEIGHT -

AMP AMP Incorporated
 Harrisburg, PA 17105-3608

NAME
 TERMINAL, RING TONGUE, SOLISTRAND™
 WIRE SIZE: 127.0-152.0mm² [250-300] MCM

SIZE A	CAGE CODE 00779	DRAWING NO C-323140
SCALE 1:1	SHEET 1 OF 1	