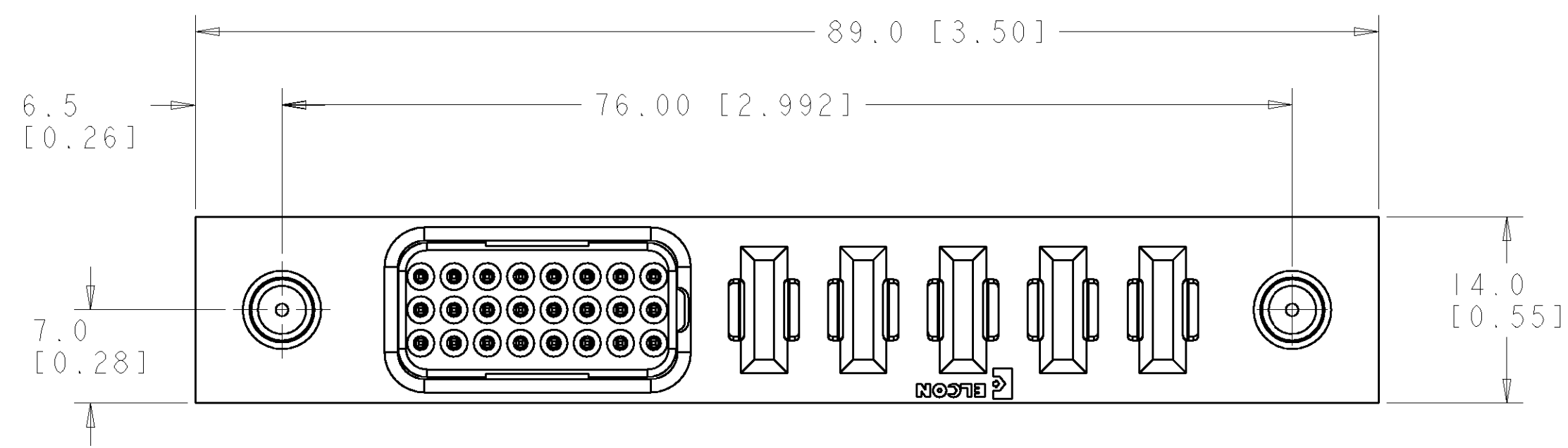


LOC	DIST	REVISIONS			
P	LTR	DESCRIPTION	DATE	DWN	APVD
GP	00	A	NEW RELEASE	16MAR2007	RG SF



1. PART NUMBER CHANGES AND OR DESIGN CHANGES AFFECTING ITEM INTERCHANGEABILITY REQUIRE PRIOR TYCO APPROVAL AND AUTHORIZATION BY REVISION TO THIS DRAWING.

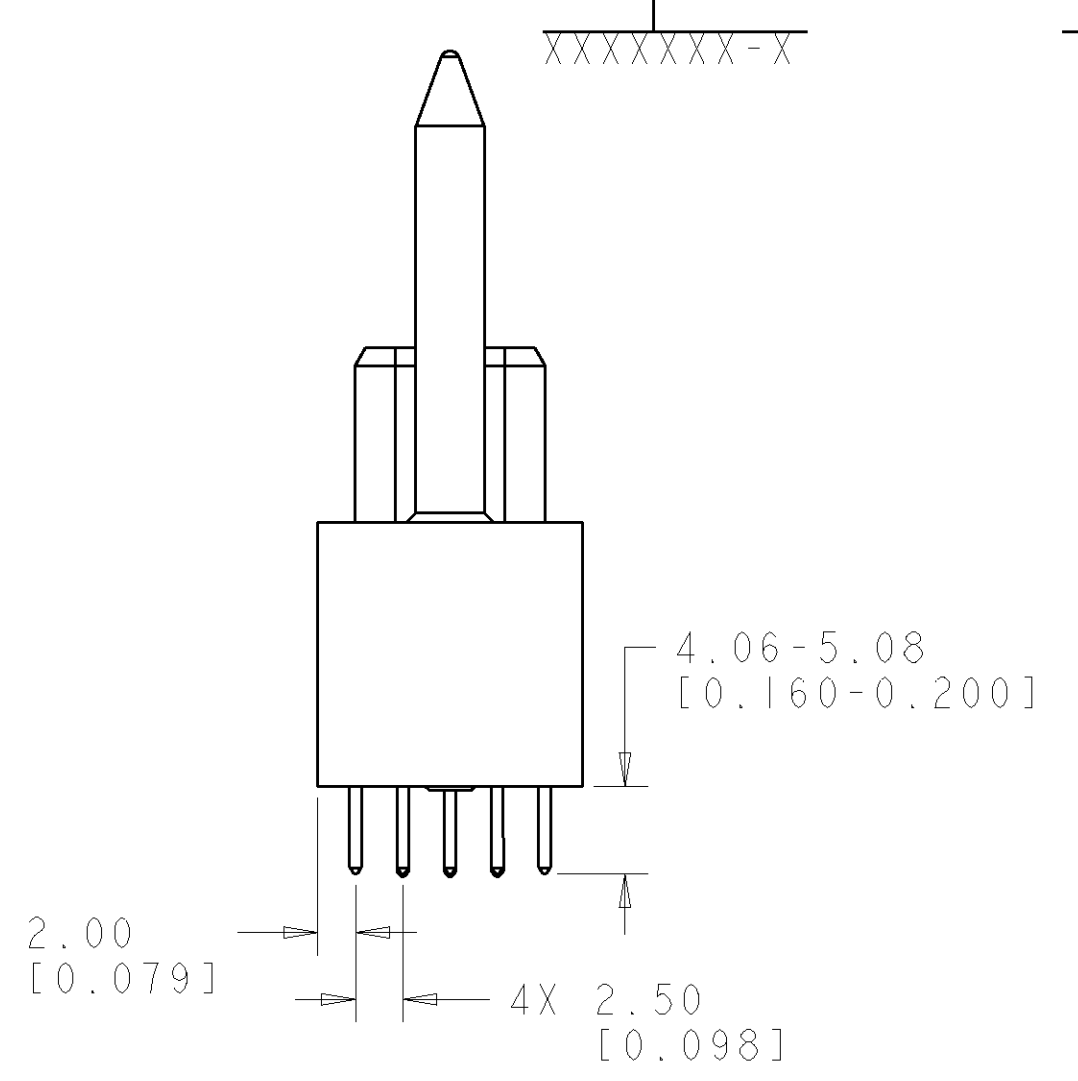
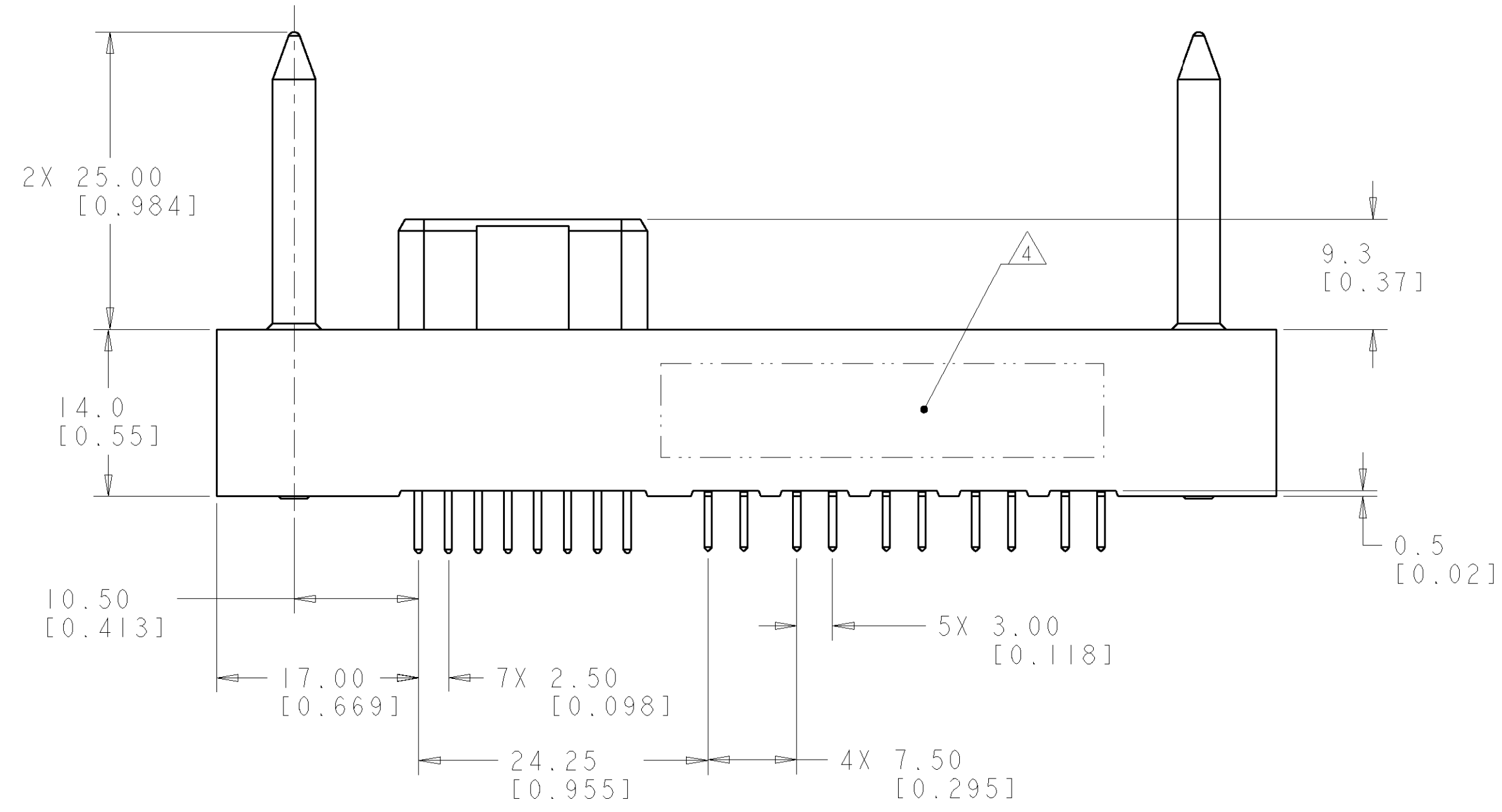
2 MATERIAL:
 INSULATORS - THERMOPLASTIC, GLASS REINFORCED, COLOR: BLACK, UL94V-0 FLAMMABILITY RATED.
 POWER CONTACTS - PHOSPHOR BRONZE ALLOY
 COPPER ALLOY
 SOLDER SIGNAL PINS-BRASS ALLOY
 GUIDE PIN - BRASS ALLOY

3 FINISH:
 CONTACTS - GOLD PLATE 0.76µm MIN. THK., OVER NICKEL
 1.27µm MIN. THK
 SOLDER TAILS, TIN 3.05µm MIN. THK.
 OVER NICKEL 1.27µm MIN THK.
 GUIDE PIN - PLATE NICKEL 1.27µm THK.

4 ITEMS PROVIDED TO THIS SPECIFICATION TO BE PERMANENTLY IDENTIFIED PER THE FOLLOWING IDENTIFIER LABEL

YEAR WEEK

TYCO PART NO. DATE CODE (e.g. 0T06)
 XXXXXXXX-X XXXX



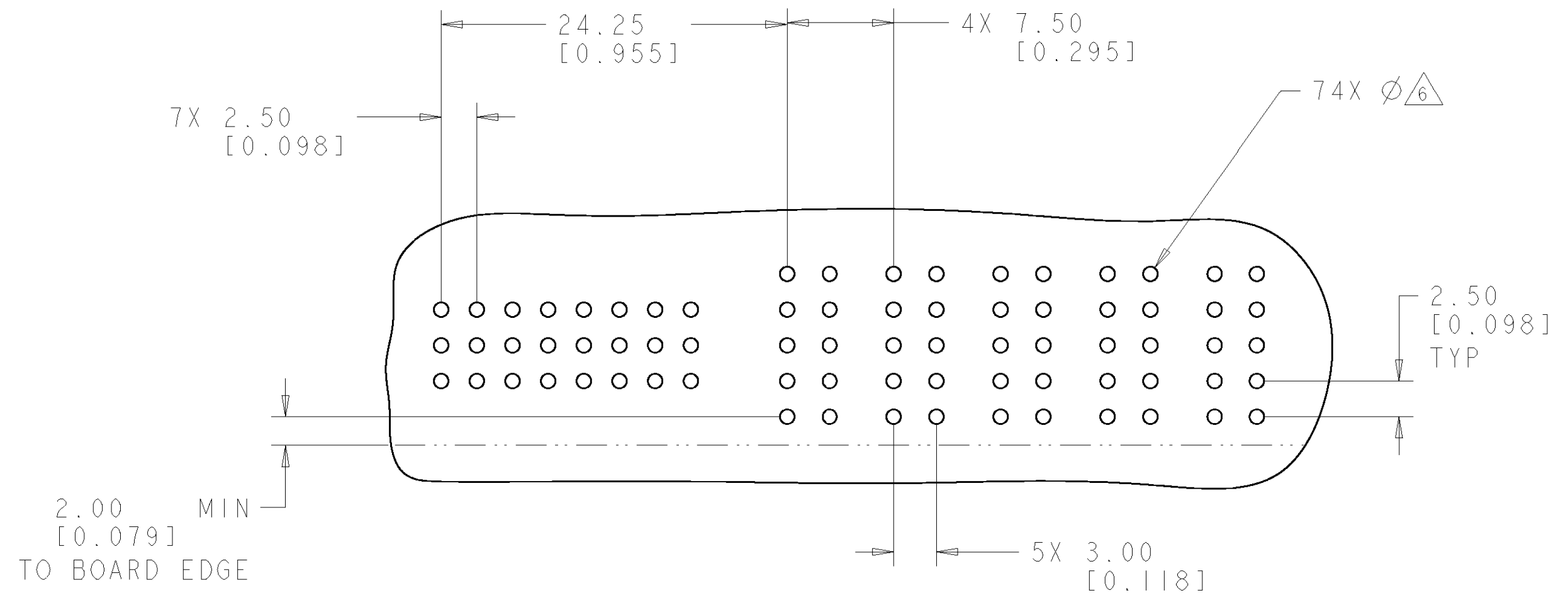
AS SHOWN	6646609-1
DESCRIPTION	PART NUMBER

ELCON FLATPAQ

THIS DRAWING IS A CONTROLLED DOCUMENT FOR TYCO ELECTRONICS CORPORATION. IT IS SUBJECT TO CHANGE AND THE CONTROLLING ENGINEERING ORGANIZATION SHOULD BE CONTACTED FOR THE LATEST REVISION.		DWN R. GRZYBOWSKI 16MAR2007	Tyco Electronics Harrisburg, PA 17105-3608	
DIMENSIONS: mm		CHK S. FLICKINGER 16MAR2007	NAME SOCKET CONNECTOR, STRAIGHT SOLDER TAILS FLATPAQ	
TOLERANCES UNLESS OTHERWISE SPECIFIED: 0 PLC ±.3 [0.012] 1 PLC ±.3 [0.012] 2 PLC ±.15 [0.006] 3 PLC ±.15 [0.006] 4 PLC ±. ANGLES ±.5		APVD S. FLICKINGER 16MAR2007	RESTRICTED TO	
MATERIAL		PRODUCT SPEC	SIZE A2	CAGE CODE 00779
		APPLICATION SPEC	DRAWING NO 6646609	REV A
		WEIGHT	CUSTOMER DRAWING	
		FINISH	SCALE 3:1	SHEET 1 OF 3

THIS DRAWING IS UNPUBLISHED. RELEASED FOR PUBLICATION 20
 © COPYRIGHT 20 BY TYCO ELECTRONICS CORPORATION. ALL RIGHTS RESERVED.

LOC	DIST	REVISIONS					
GP	00	P	LTR	DESCRIPTION	DATE	DWN	APVD
		-		SEE SHEET 1	-	-	-



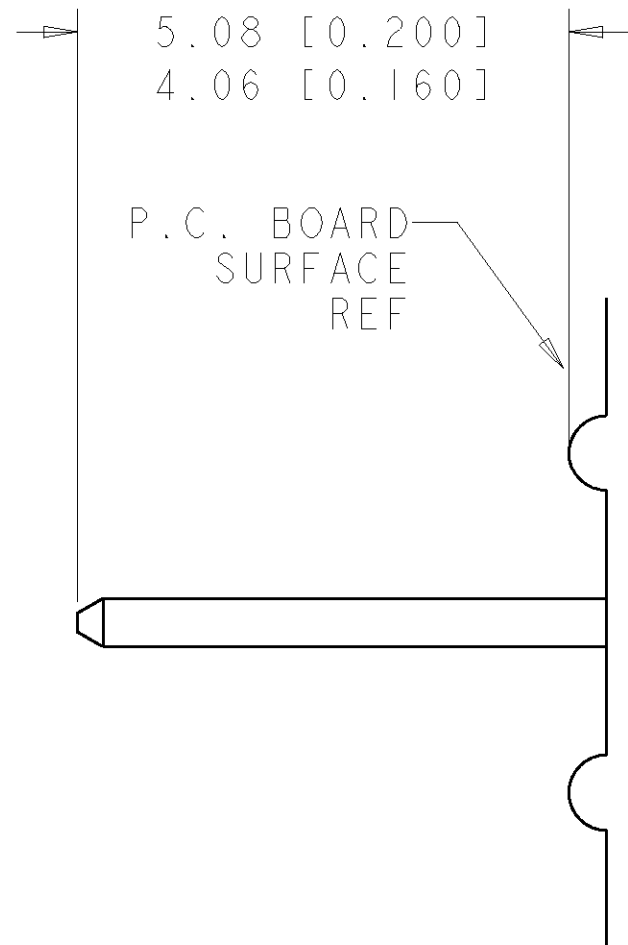
PRINTED CIRCUIT LAYOUT
COMPONENT SIDE

CONNECTOR	EQUIVALENT CATALOG MODULE #	CONTACT QTY	SIZE NO.	MATING PIN	MAX. CURRENT (PER CONTACT)	CONTACT SPACING	VOLTAGE RATING
SOCKET	FP710	24	22	.64 [.025] SQ.	3 amps	2.50 [.0984]	125 VOLTS
		5	8	1.25 X 7.00 [.049 X .276]	35 amps	7.50 [.2953]	250 VOLTS
GUIDE PIN, STRAIGHT							

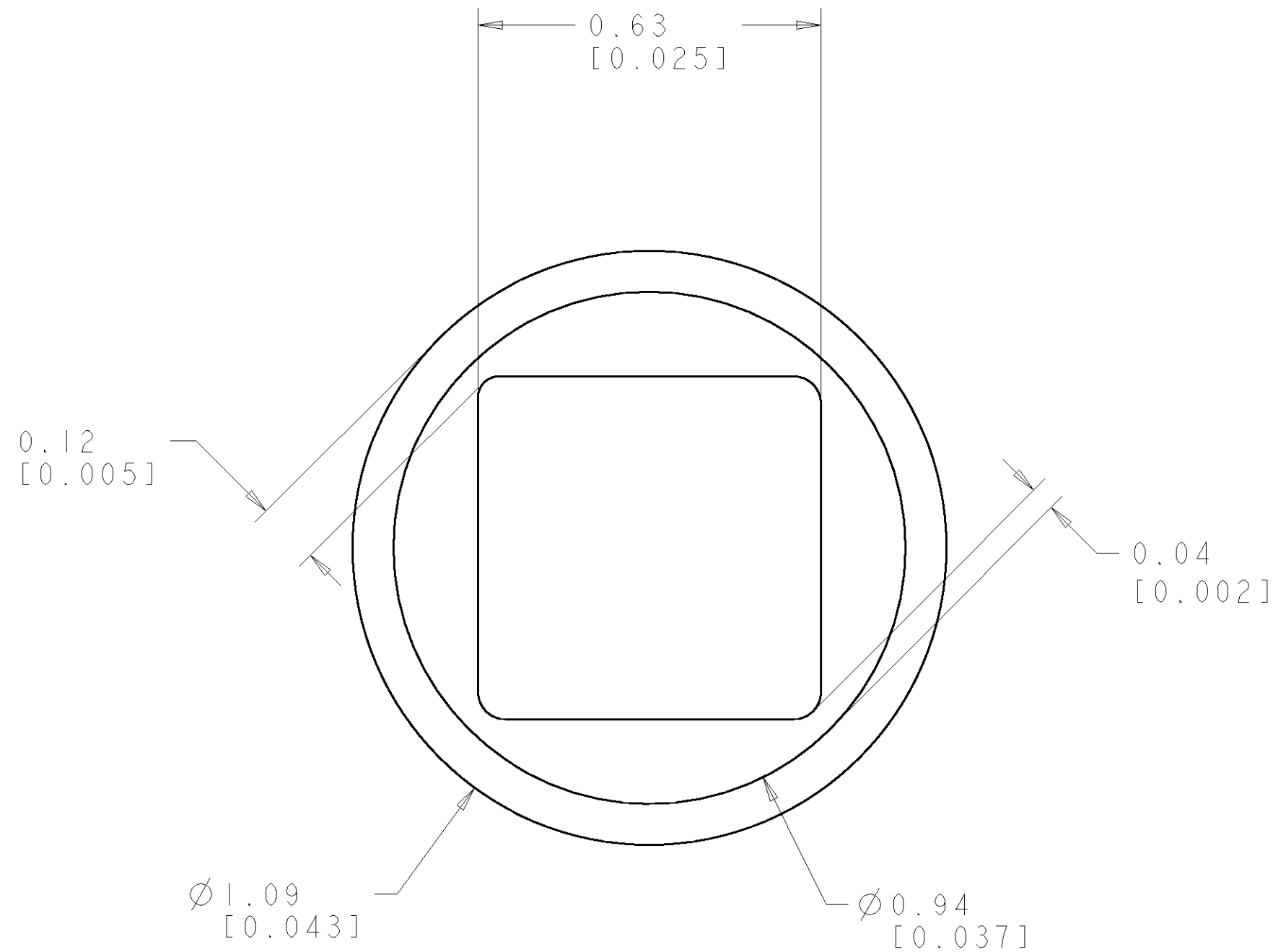
<small>THIS DRAWING IS A CONTROLLED DOCUMENT FOR TYCO ELECTRONICS CORPORATION. IT IS SUBJECT TO CHANGE AND THE CONTROLLING ENGINEERING ORGANIZATION SHOULD BE CONTACTED FOR THE LATEST REVISION.</small>		DWN R.GRZYBOWSKI 16MAR2007 CHK S.FLICKINGER 16MAR2007 APVD S.FLICKINGER 16MAR2007	tyco Tyco Electronics Harrisburg, PA 17105-3608
DIMENSIONS: mm 	TOLERANCES UNLESS OTHERWISE SPECIFIED: 0 PLC ±.3 [.012] 1 PLC ±.15 [.006] 2 PLC ±.15 [.006] 3 PLC ±. 4 PLC ±. ANGLES ±.5 FINISH	NAME SOCKET CONNECTOR, STRAIGHT SOLDER TAILS FLATPAQ PRODUCT SPEC - APPLICATION SPEC - WEIGHT -	SIZE A2 CAGE CODE 00779 DRAWING NO. C-6646609 RESTRICTED TO -
MATERIAL -		CUSTOMER DRAWING	
		SCALE 3:1	SHEET 2 OF 3 REV A

THIS DRAWING IS UNPUBLISHED. RELEASED FOR PUBLICATION 20
 © COPYRIGHT 20 BY TYCO ELECTRONICS CORPORATION. ALL RIGHTS RESERVED.

LOC	DIST	REVISIONS					
GP	00	P	LTR	DESCRIPTION	DATE	DWN	APVD
		-		SEE SHEET 1	-	-	-



5. SOLDER TAIL
SCALE 10:1



6. SOLDER TERMINATION AREA
SCALE 40:1

RECOMMENDED PRINTED CIRCUIT SOLDER HOLE
 FINISHED HOLE: Ø1.02 [.040] ±.08 [.003]
 DRILLED HOLE: Ø1.15 [.0453] ±.013 [.0005]
 COPPER PLATE: .025 [.0010] MIN
 TIN PLATE: .008 [.0003] MIN. (PER SURFACE)

<small>THIS DRAWING IS A CONTROLLED DOCUMENT FOR TYCO ELECTRONICS CORPORATION IT IS SUBJECT TO CHANGE AND THE CONTROLLING ENGINEERING ORGANIZATION SHOULD BE CONTACTED FOR THE LATEST REVISION.</small>		DWN R. GRZYBOWSKI 16MAR2007 CHK S. FLICKINGER 16MAR2007 APVD S. FLICKINGER 16MAR2007	tyco Tyco Electronics Harrisburg, PA 17105-3608
DIMENSIONS: mm 	TOLERANCES UNLESS OTHERWISE SPECIFIED: 0 PLC ±.3 [.012] 1 PLC ±.15 [.006] 2 PLC ±.15 [.006] 3 PLC ±.15 [.006] 4 PLC ±.15 [.006] ANGLES ±.5 FINISH	NAME: SOCKET CONNECTOR, STRAIGHT SOLDER TAILS FLATPAQ PRODUCT SPEC: - APPLICATION SPEC: - WEIGHT: -	SIZE: A2 CAGE CODE: 00779 DRAWING NO: C-6646609 RESTRICTED TO: -
MATERIAL: -		CUSTOMER DRAWING	SCALE 3:1 SHEET 3 OF 3 REV A