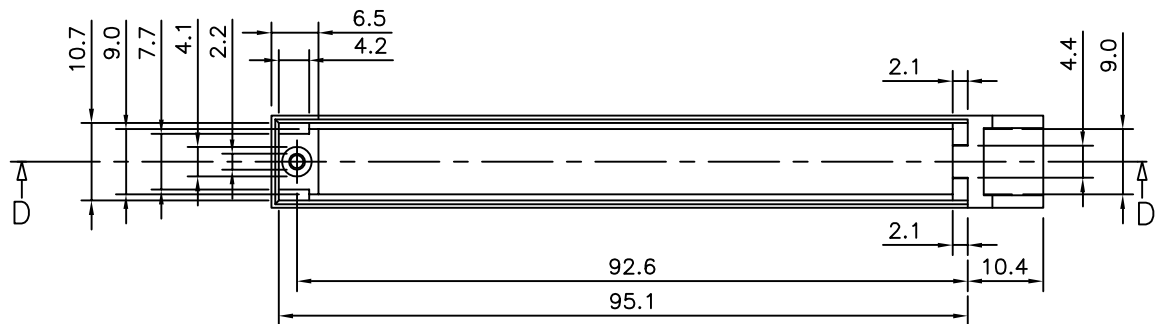
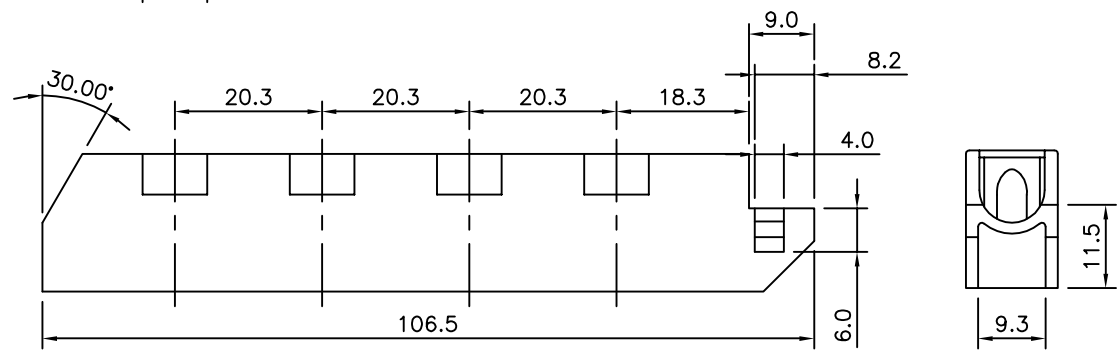
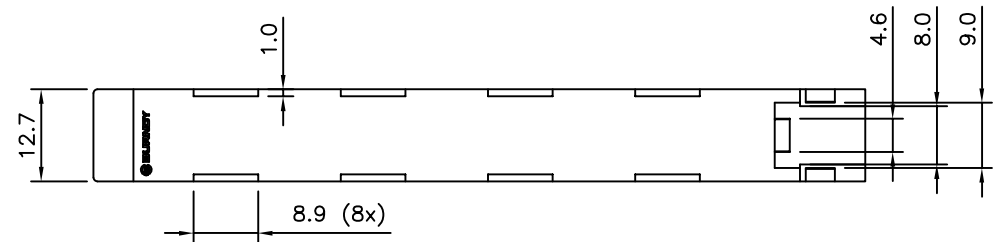
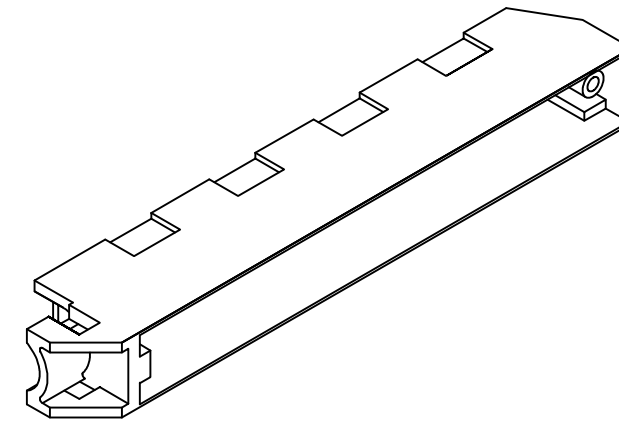
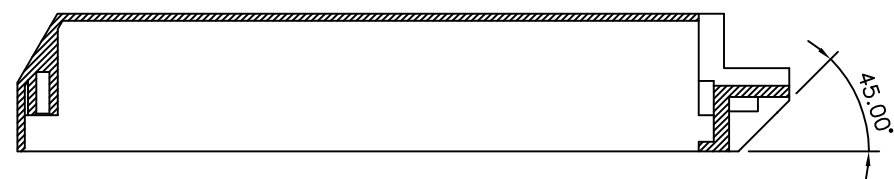


PRODUCT NUMBER BPBS8B96CAP2

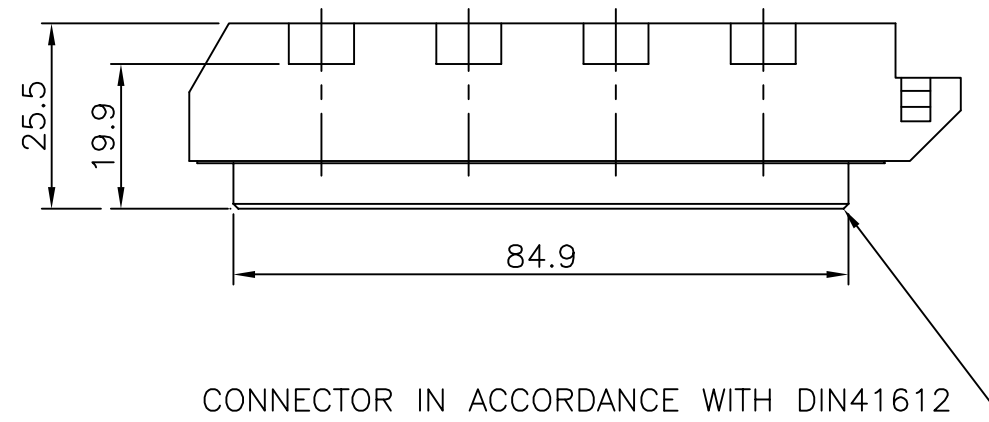
PRODUCT NUMBER BPBS8B96CAP2LF ← RoHS COMPATIBLE



SECTION DD



ASSEMBLED VIEW



CONNECTOR IN ACCORDANCE WITH DIN41612

NOTES:

- BPBS8B96CAP2 = LOW PROFILE COVER (BPBS8B96P5) + MOUNTING SCREW (HPTE1604)
- BPBS8B96CAP2LF = LOW PROFILE COVER (BPBS8B96P5) + MOUNTING SCREW (HPTE1604LF)
- LOW PROFILE COVER : GLASS-FILLED PPO MATERIAL
- CABLE DIAMETER 8 MM. MAX.
- " LF " SUFFIX TO PRODUCT NUMBER FOR RoHS COMPLIANT/LEADFREE PRODUCTS.
- OPTIONAL : TIE WRAP (TF4); MAX. WIDTH = 3,9 MM

NOTES:-

- THE "LF" PRODUCTS MEET EUROPEAN UNION DIRECTIVES AND OTHER COUNTRY REGULATIONS AS DESCRIBED IN GS-22-008.
- LEAD FREE OR RoHS DIRECTIVE LABELING TO BE PROVIDED AS PER GS-14-920 FOR RoHS COMPLIANT/ LEAD FREE VERSION.

mat'l. code		surface		tolerance		projection		product family		
SEE NOTE		ISO 1302		ISO 406 ISO 1101		mm		BPS8		
ltr	ecn no	dr	date	tolerances unless otherwise specified		mm		title		
A	F00819	DLE	2000-10-20	angles	0.1±0.01	mm		ASSY BPS8		
B	I05-0138	MINI	2005-08-08	linear	0.01±0.05	mm		96 POS. COVER SET		
C	I06-0067	MINI	2006-06-01	±0'30'		scale 1.5:1		dwg no		
				dr	D.LEGRAND	2000-10-20	sheet 1 of 1		size	
				enr	J.F.NOTTEAU	2000-10-20	55347		A3	
				chr	RAKHEE GEORGE	2006-06-01	type		Product Customer Drawing	
				appd	RAKHEE GEORGE	2006-06-01				
sheet index	revision sheet	C	1							