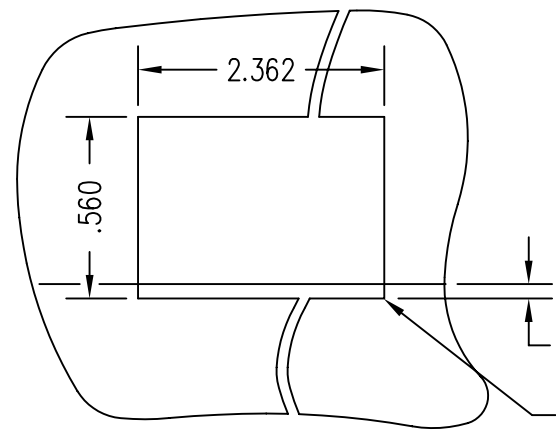
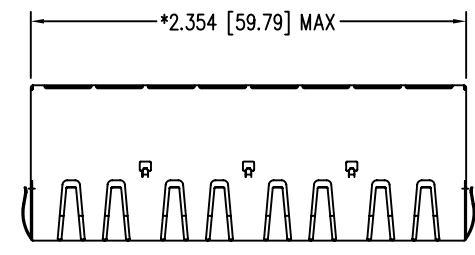
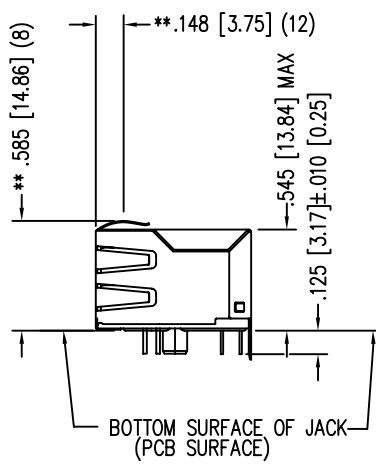


| DATE | REV | ECN | APP'D. BY |
|---------|-----|------|-----------|
| 2/3/06 | A0 | 7459 | JM |
| 4-25-07 | A1 | 8025 | TRM |
| | | | |
| | | | |



.000 (TOP OF PCB TO BOTTOM OF OPENING)
.010 MAX. RADIUS(4)

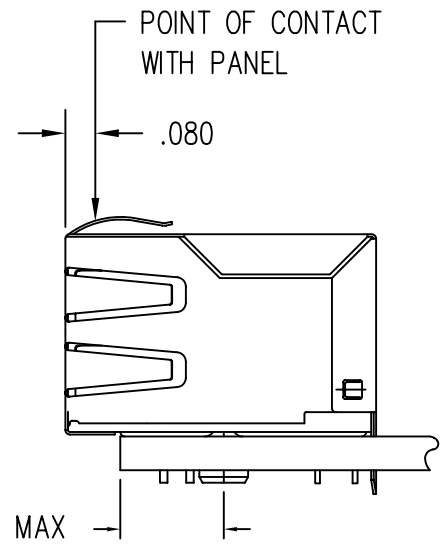
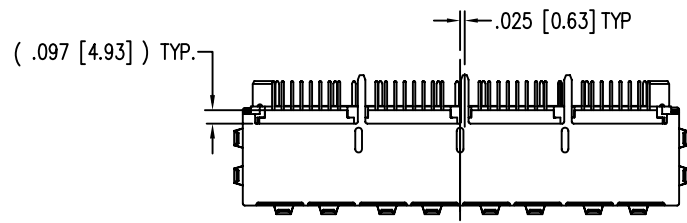
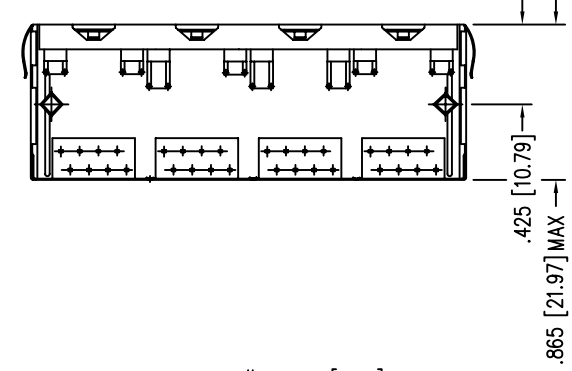
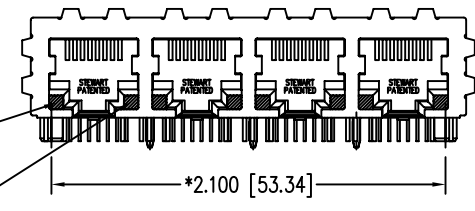
SUGGESTED PANEL OPENING



BOTTOM SURFACE OF JACK (PCB SURFACE)

YELLOW LED
TYP. 4 PLCS

GREEN LED
TYP. 4 PLCS



POINT OF CONTACT WITH PANEL

- NOTES:
- CONNECTOR MATERIALS:
HOUSING: THERMOPLASTIC UL94 V-0
CONTACTS/SHIELD: COPPER ALLOY
SHIELD PLATING: NICKEL OR "REFLOW" TIN
CONTACT PLATING: SELECTIVE GOLD IN CONTACT AREA
SEE CHART FOR PART NUMBER
 - FOR PRODUCT SPECIFICATIONS SEE PR022-01.
 - TOLERANCES COMPLY WITH F.C.C. DIMENSION REQUIREMENTS.
 - THE SUGGESTED PANEL OPENING IS INTENDED TO GIVE USER THE ABILITY TO HAVE REASONABLE JACK/PANEL CLEARANCES, YET MAINTAIN GROUNDING CAPABILITY. THESE VARIABLES CAN BE ADJUSTED IN EITHER DIRECTION BUT MAY CARRY SOME CONSEQUENCES IN THE FORM OF LOWER MATING FORCES OR TIGHTER ASSEMBLY TOLERANCES.

| | |
|--------------------------------|----------------------|
| 30 MICRO-INCHES [0.76um] | SS-748804S-YG-PG4-BZ |
| CONTACT PLATING IN MATING AREA | PART NUMBER |

THIRD ANGLE PROJECTION

DO NOT SCALE DRAWING
DRAWING IS SUBJECT TO CHANGE WITHOUT NOTICE

DIMENSIONS: INCHES [METRIC]

UNLESS OTHERWISE SPECIFIED
TOLERANCES ARE ±.005 [0.13]
ANGLES ARE ± 1°

SHEET NO. 1 OF 2



Bel Stewart Connector

11118 Susquehanna Trail South
Glen Rock, PA 17327-9199
(717) 235-7512 Fax: (717) 235-7954 <http://www.stewartconnector.com>

TITLE: EMI-RFI ONE PIECE SHIELDED, ESD GROUNDED
4 PORT PCB HARMONICA LED JACK PAC

THIS DRAWING AND THE SUBJECT MATTER SHOWN THEREON ARE CONFIDENTIAL AND THE PROPRIETARY PROPERTY OF BEL STEWART CONNECTOR AND SHALL NOT BE REPRODUCED, COPIED, OR USED IN ANY MANNER WITHOUT PRIOR WRITTEN CONSENT OF BEL STEWART CONNECTOR. THE SUBJECT MATTER MAY BE PATENTED OR A PATENT MAY BE PENDING.

| | |
|------------------|-------------|
| DRN BY: KRL | DATE 2/3/06 |
| APPD BY: JM | DATE 2-9-06 |
| DWG NO. CT740007 | REV. A1 |

B

B

A

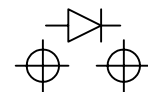
A

REV. 6/3/05

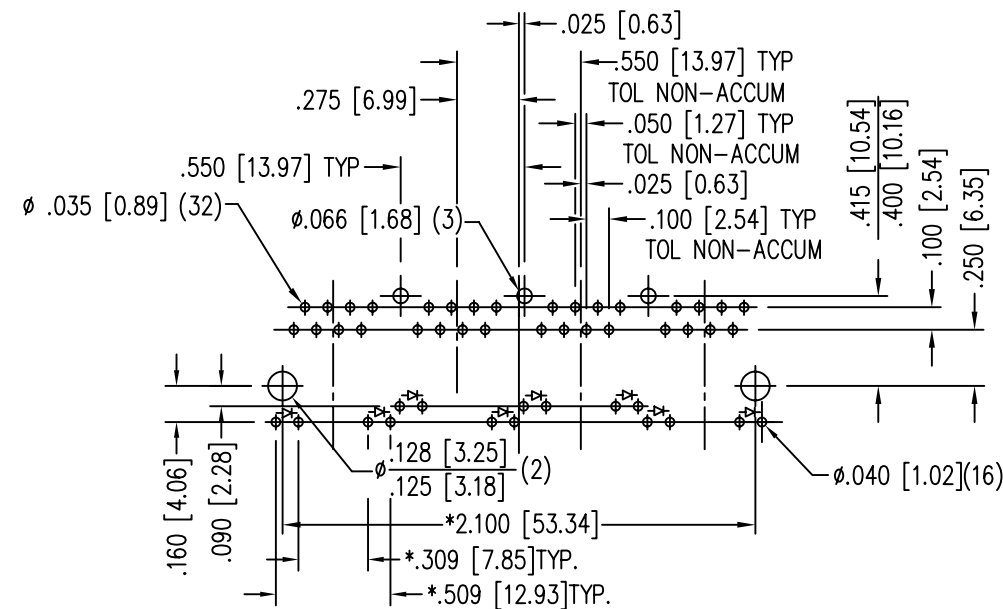
| LED SPECIFICATIONS | | | | | | |
|--------------------|-------------------------|-------------------------|-------------------|------------|---------------------------|-------|
| STANDARD LED | * FORWARD VOLTAGE (MAX) | * FORWARD VOLTAGE (TYP) | POWER DISSIPATION | WAVELENGTH | LUMINOUS INTENSITY @ 10mA | |
| | | | | | MIN | MAX |
| YELLOW DIFFUSED | 2.5 V | 2.1 V | 105 mW | 590 nm | 2 MCD | 8 MCD |
| GREEN DIFFUSED | 2.6 V | 2.25 V | 105 mW | 555 nm | 2 MCD | 8 MCD |

* WITH A FORWARD CURRENT OF 20 mA

LED POLARITY
(ENLARGED VIEW)



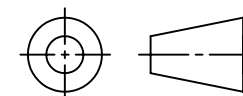
SINGLE COLOR LED



P.C.B. RECOMMENDED HOLE LAYOUT
SEEN FROM COMPONENT SIDE
TOLERANCE ±.003 [0.08] UNLESS OTHERWISE SPECIFIED

| | |
|-----------------------------------|----------------------|
| 30 MICRO-INCHES [0.76um] | SS-748804S-YG-PG4-BZ |
| CONTACT PLATING IN MATING AREA | PART NUMBER |

THIRD ANGLE PROJECTION



DO NOT SCALE DRAWING
DRAWING IS SUBJECT TO
CHANGE WITHOUT NOTICE

DIMENSIONS: INCHES [METRIC]

UNLESS OTHERWISE SPECIFIED
TOLERANCES ARE ±.005 [0.13]
ANGLES ARE ± 1°

SHEET NO. 2 OF 2

Bel Stewart Connector

11118 Susquehanna Trail South
Glen Rock, PA 17327-9199
(717) 235-7512 Fax: (717) 235-7954 <http://www.stewartconnector.com>

TITLE: EMI-RFI ONE PIECE SHIELDED, ESD GROUND
4 PORT PCB HARMONICA LED JACK PAC

THIS DRAWING AND THE SUBJECT MATTER SHOWN THEREON
ARE CONFIDENTIAL AND THE PROPRIETARY PROPERTY OF
BEL STEWART CONNECTOR AND SHALL NOT BE REPRODUCED,
COPIED, OR USED IN ANY MANNER WITHOUT PRIOR WRITTEN
CONSENT OF BEL STEWART CONNECTOR. THE SUBJECT
MATTER MAY BE PATENTED OR A PATENT MAY BE PENDING.

| | |
|------------------|-------------|
| DRN BY: KRL | DATE 2/3/06 |
| APPD BY: JM | DATE 2-9-06 |
| DWG NO. CT740007 | REV. A1 |

