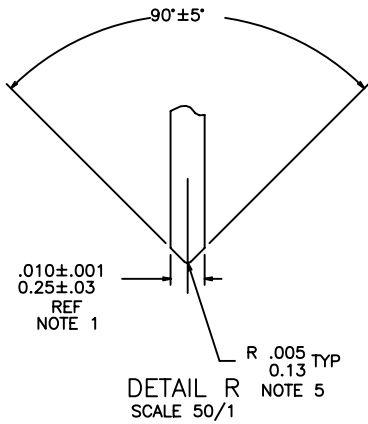
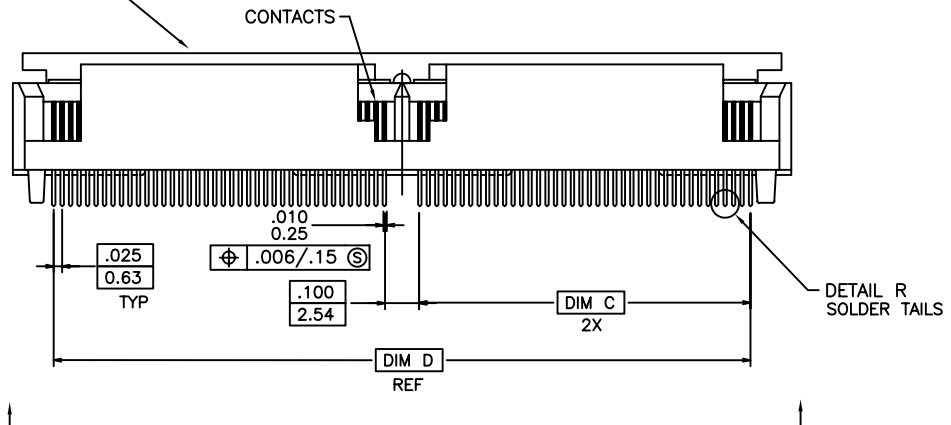
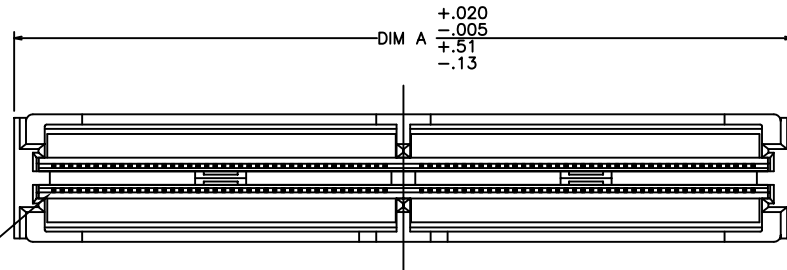
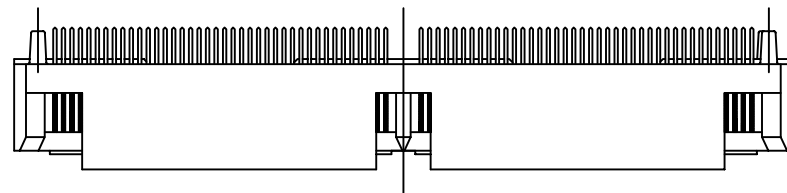
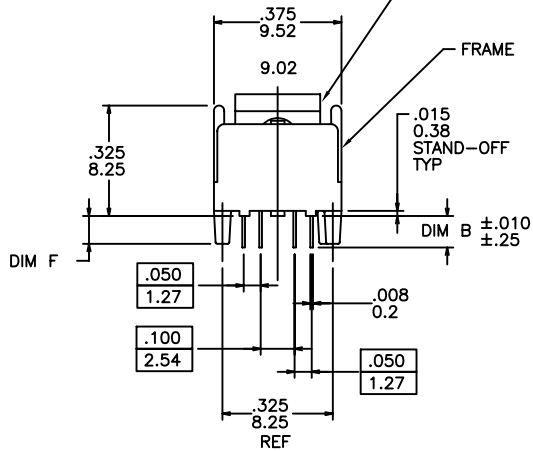


PRODUCT NO.  
SEE TABLE



OPTIONAL PROTECTIVE DUST COVER  
OUTSIDE PROFILE SHOWN ONLY  
NOTE 4



VIEW K (SHEET 2)

mat'l. code		surface ISO 1302 ✓		tolerance ISO 406 ISO 1101		projection ⊕		product family MICROPAX	
ltr		ecn no		date		tolerances unless otherwise specified		title	
K	V31907	MRC	11/4/93	angles	linear	.XX±.01/.3		MICROPAX .025M VERT. PLUG DOUBLE MODULE	
L	V32226	MRC	12/22/93	0'±2'		.XXX±.005/.13		sheet 1 of 2 size	
M	V71417	MAP	10/6/97			.XXXX±.0020/.051		A3	
N	V12555	CRG	11/8/01	dr	L.POTTEIGER	4/16/91		type Product Customer Drawing	
P	V20402	MEM	3/12/02	enr	T.LEMKE	4/16/91			
R	M06-0222	AGS	6/9/06	chr	T.LEMKE	4/16/91			
sheet index		revision R R		appd T.LEMKE		4/16/91			
		sheet 1 2							

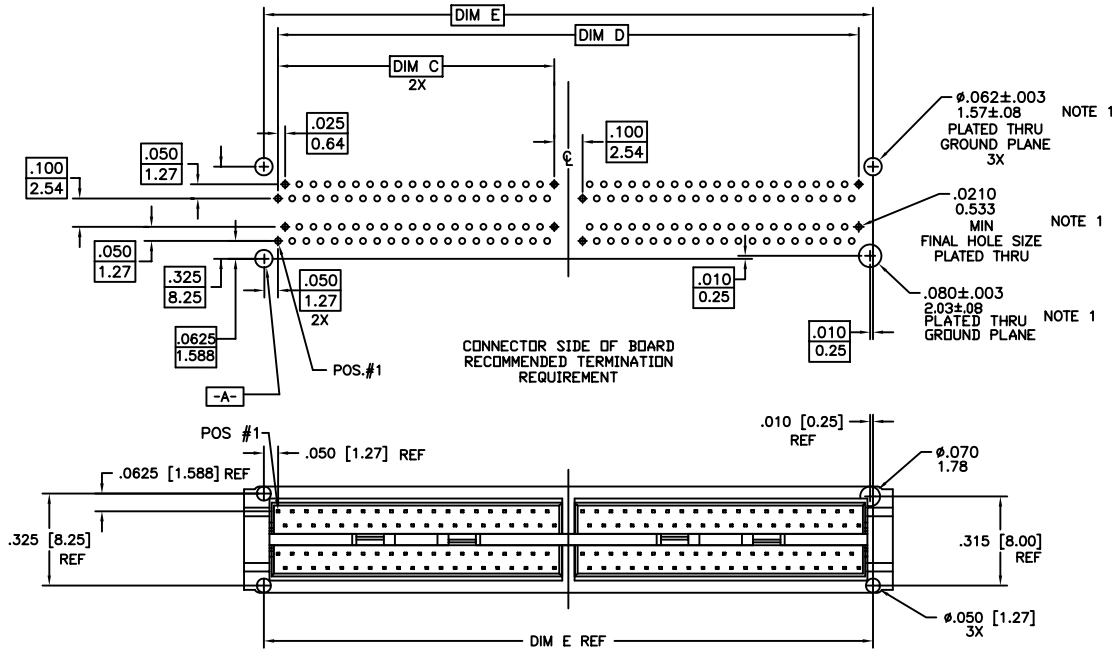


FCIconnect.com

Copyright FCI

PRODUCT NO	NO. OF CONTACTS	DIM A	DIM B	DIM C	DIM D	DIM E	DIM F	BOARD THICKNESS	DUST CAP
89649-001	160	2.290/58.17	.092/2.34	.975/24.76	2.050/52.07	2.150/54.61	.082/2.08	.062/1.58	NO
89649-002			.155/3.94				.144/3.66		

NOTE 3



BOTTOM VIEW K

NOTES:

- ALL BOARD HOLES  $\phi \ .006 / .15 \text{ } \textcircled{A} \text{ } \textcircled{S}$
- MATERIALS:  
DIELECTRIC: LCP  
CONTACTS: PHOS BRZ  
FRAME: ZINC ALLOY #3
- PLATING:  
SOLDER TAILS: 150u"/3.81um Sn Pb  
FRAME: 100u"/2.54um Ni  
CONTACT: 30u"/.76um GXT OVER 50u"/1.27um Ni  
  
LEAD FREE PLATING:  
SOLDER TAILS: 150u"/3.81um Sn  
FRAME: 100u"/2.54um Ni  
CONTACT: 30u"/.76um GXT OVER 50u"/1.27um Ni
- ADD "LF" SUFFIX AT THE END OF PART NUMBER FOR LEAD FREE OPTION.
- IF "LF" P/N THE PRODUCT MEETS EUROPEAN UNION DIRECTIVES AND OTHER COUNTRY REGULATION AS DIRECTIVES AND OTHER COUNTRY REGULATION AS
- DO NOT REMOVE OPTIONAL PROCESSING CAP UNTIL SOLDERING IS COMPLETED.
- .002/.05 MAX BURR PERMITTED.



FCIconnect.com

Copyright FCI

mat'l. code		surface ISO 1302 <input checked="" type="checkbox"/>		tolerance ISO 406 ISO 1101		projection 		product family MICROPAX	
ltr		ecn		no		dr		date	
R									
		angles		linear		.XX ± .01/.3		INCH/MM	
		0° ± 2'				.XXX ± .005/.13		scale 1:1	
		dr		L.POTTEIGER		4/16/91		dwg no	
		enr		T.LEMKE		4/16/91		sheet 2 of 2 size	
		chr		T.LEMKE		4/16/91		89649 A3	
		appd		T.LEMKE		4/16/91		type Product Customer Drawing	
sheet index		revision sheet							

form: A3