

TDK Corporation

Piezo & Protection Device B. Grp.

3-9-1, Shibaura, Minato-ku, Tokyo,

108-0023, Japan

TEL. 03-6852-7300



NTCG

NTC Chip Thermistor  
Temperature Sensing Device

PRODUCT:NTCG164BH222JTDS

This product is compliant with the  
AEC-Q200 standard.

PAGE NO.: 1 OF 1

Dimensions and construction

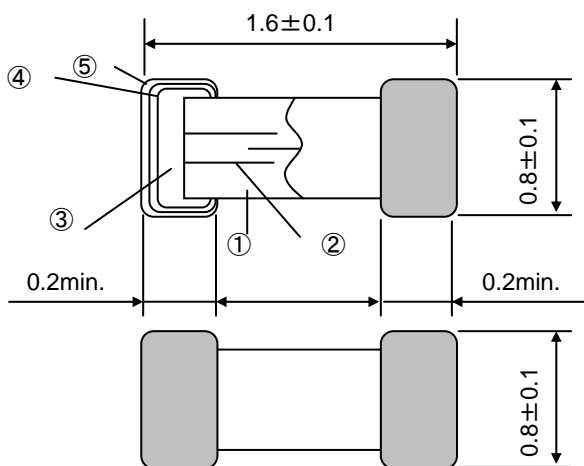


TABLE1. Parts List

	Part Name	Material
①	Element	Manganese, Cobalt-oxide base Ceramics materials
②	Inner electrodes	Palladium
③	Terminal	Silver base
④	electrodes	Nickel-plating
⑤		Tin-plating

Operating temperature range

-40 ~ +125°C

TABLE 2. Electric Performance:

Item	Symbol	Specification
Nominal resistance and tolerance	R25	2.2kΩ ± 5%
B value and tolerance	B25/85	4100K ± 3%
Maximum rated power (condition: chip)	P25	100 mW / 25°C in still air

TABLE 3. Resistance - Temperature Characteristics (condition: chip in silicone oil)

Temp (°C)	Min (kΩ)	Nom (kΩ)	Max (kΩ)	Temp (°C)	Min (kΩ)	Nom (kΩ)	Max (kΩ)	Temp (°C)	Min (kΩ)	Nom (kΩ)	Max (kΩ)
-40.0	78.06	91.91	107.9	20.0	2.621	2.779	2.938	80.0	0.230	0.258	0.289
-35.0	55.61	64.79	75.29	25.0	2.090	2.200	2.310	85.0	0.195	0.220	0.247
-30.0	40.08	46.23	53.18	30.0	1.656	1.755	1.855	90.0	0.166	0.188	0.212
-25.0	29.22	33.37	38.02	35.0	1.321	1.410	1.500	95.0	0.141	0.161	0.183
-20.0	21.53	24.36	27.49	40.0	1.062	1.140	1.221	100.0	0.121	0.139	0.158
-15.0	16.03	17.97	20.09	45.0	0.859	0.928	1.000	105.0	0.104	0.120	0.137
-10.0	12.05	13.39	14.84	50.0	0.699	0.760	0.824	110.0	0.090	0.104	0.120
-5.0	9.146	10.08	11.08	55.0	0.573	0.626	0.683	115.0	0.078	0.091	0.105
0.0	7.005	7.655	8.344	60.0	0.472	0.519	0.569	120.0	0.068	0.079	0.092
5.0	5.412	5.868	6.345	65.0	0.391	0.433	0.477	125.0	0.060	0.069	0.081
10.0	4.217	4.536	4.868	70.0	0.326	0.363	0.402				
15.0	3.312	3.536	3.766	75.0	0.273	0.305	0.340				