

NOTES:

1.0 ELECTRICAL SPECIFICATIONS

- 1.1 FREQUENCY RANGE: DC TO 18.0 GHz
- 1.2 MAXIMUM INPUT POWER:
2 WATTS AVG AT +25°C DERATED LINEARLY TO 0.5 WATTS AT +125°C.
- 1.3 OPERATING TEMPERATURE RANGE: -55°C TO +125°C
- 1.4 IMPEDANCE: 50 OHMS
- 1.5 VSWR: 1.25:1 MAX.

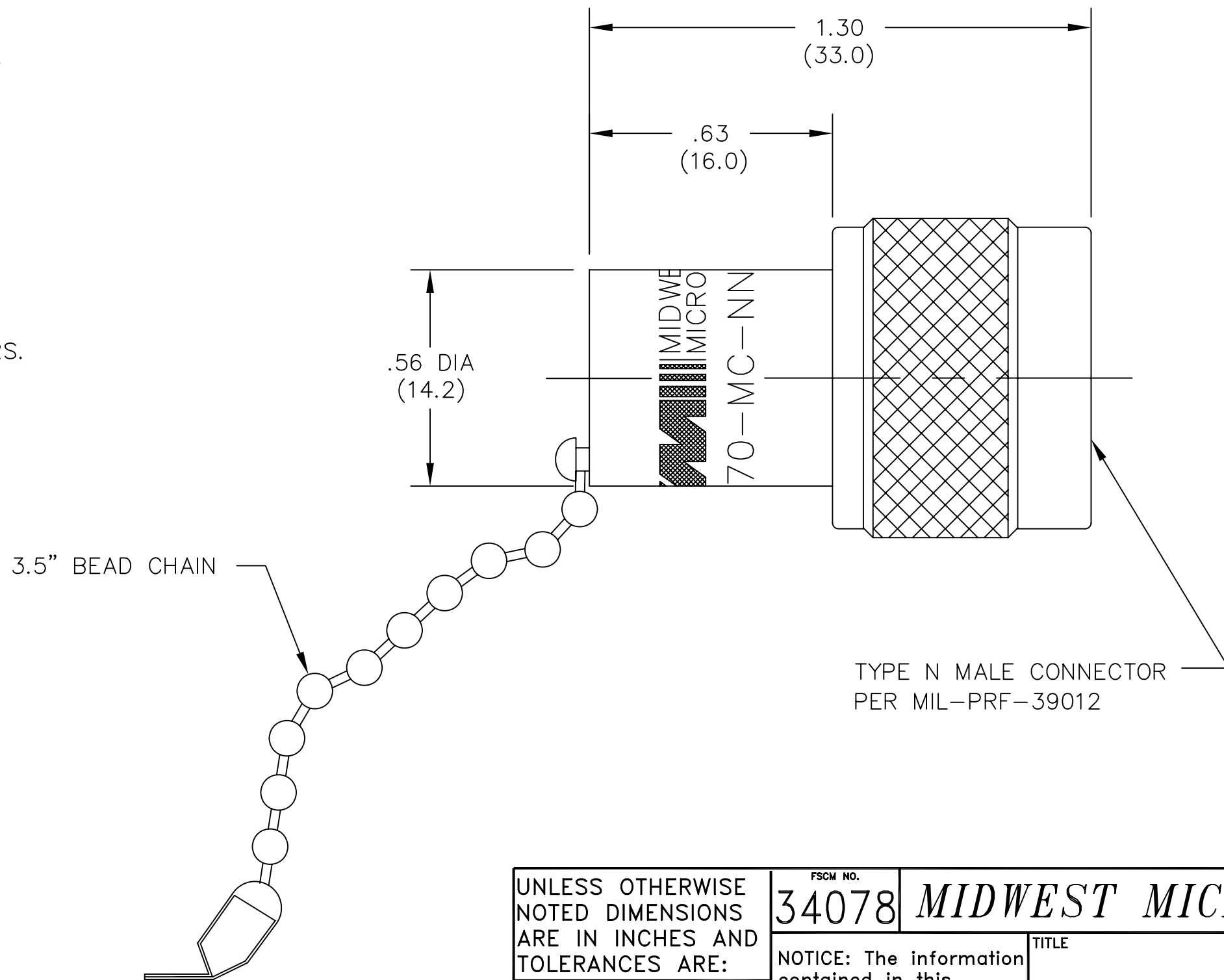
2.0 MARKING

- 2.1 MARK UNIT AS SHOWN:
(REF: INK-02611-27-20)

3.0 DIMENSIONS IN PARENTHESIS ARE MILLIMETERS.

MODEL NUMBER
TRM-2070-MC-NNN-07

REV.
E1



REV.	DESCRIPTION	DATE
-	RELEASED	9/21/92
A	ECR 6545	6/30/89
B	ECR 7129	2/23/90
C	ECR 10356	4/19/91
D	ECN 10759	7/10/91
E	REDRAW ON CAD	8/21/92
E1	ADDED TITLEBLOCK	10/27/05

DWG. WAS: 02712-01-00

UNLESS OTHERWISE NOTED DIMENSIONS ARE IN INCHES AND TOLERANCES ARE:		FSCM NO. 34078		MIDWEST MICROWAVE	
3 PLACE DECIMALS ±.005		NOTICE: The information contained in this drawing is proprietary and must not be used without the permission of Midwest Microwave		TITLE TYPE N TERMINATION	
2 PLACE DECIMALS ±.02					
FRACTIONS ±1/64		DRAWN/DATE M.HOLLMAN 8/21/92		ENG./DATE G.KOZAK 9/21/92	
PARALLELITY: T.I.R. _____		CHECKED/DATE A.BEATTY 9/10/92		APPROVED/DATE	
FLATNESS: T.I.R. _____		DRAWING NUMBER TRM-2070-MC-NNN-07			
CONCENTRICITY: T.I.R. _____		SCALE: 3=1 SHEET 1 of 1			
ANGLES AND PERPENDICULARITY: ±1°					