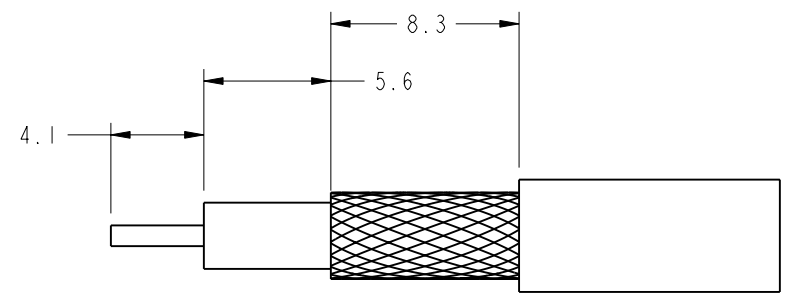
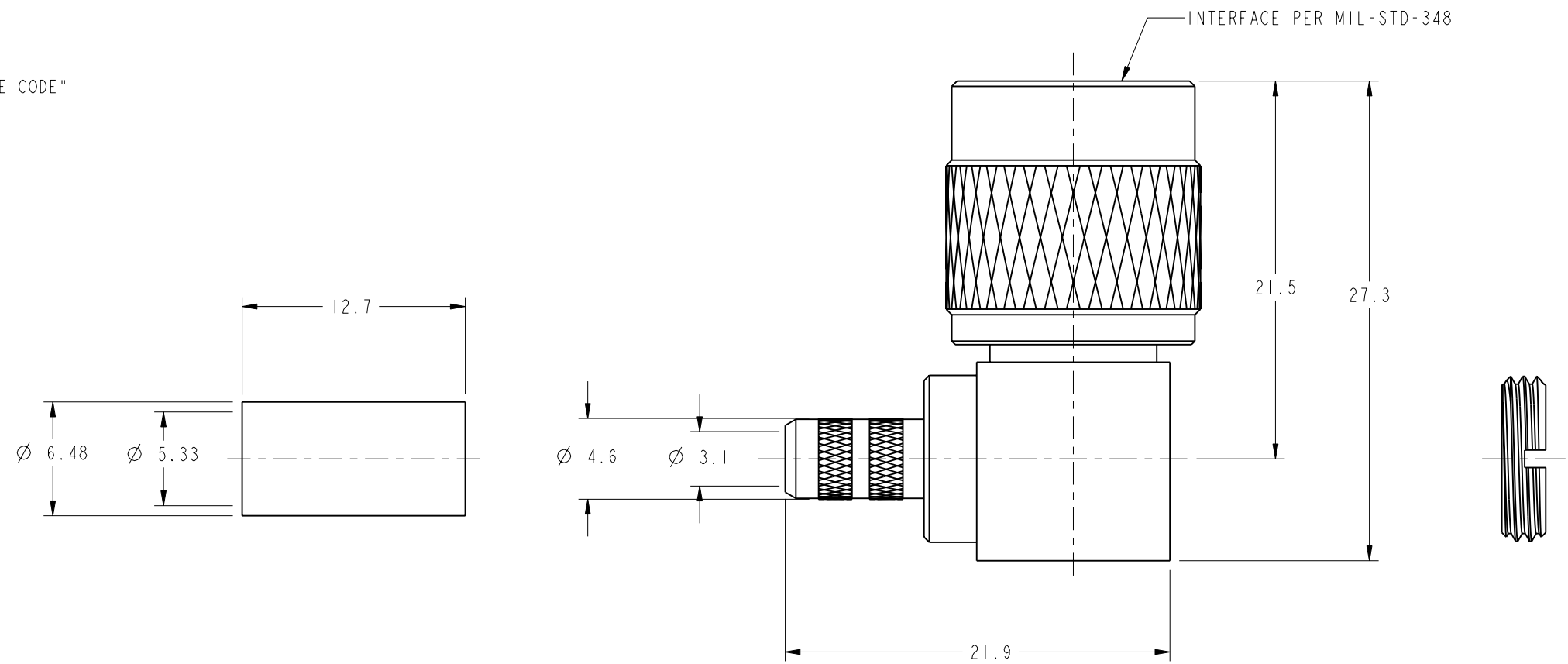


- NOTES:
- MATERIALS AND FINISHES:
 SHELL, HOUSING, BARREL, NUT & RETAINER RING - BRASS (ASTM-B16 H02, C36000), NICKEL PLATING (.000100 MIN THICK)
 CONTACT PIN - BRASS (ASTM-B16 H02, C36000), GOLD PLATING (.000003 MIN THICK) OVER NICKEL (.000100 MIN THICK)
 INSULATOR & RING - DELRIN, NATURAL
 WASHER - BRASS (QQ-B-613), NICKEL PLATING (.000100 MIN THICK)
 FERRULE - COPPER, NICKEL PLATING (.000100 MIN THICK)
 GASKET - SILICONE RUBBER, COLOR RED
 - ELECTRICAL:
 A. IMPEDANCE: 50 OHM
 B. FREQUENCY RANGE: DC - 11 GHz
 C. DIELECTRIC WITHSTANDING VOLTAGE: 1500 VRMS, MIN.
 - MECHANICAL:
 A. TEMPERATURE RANGE: -40° C TO +85° C
 - PACKAGING:
 A. QUANTITY: SINGLE PACK
 B. MARKING: BAG TO BE MARKED
 "AMPHENOL, 31-5849-RFX, AND DATE CODE"

31-5849-RFX		REVISIONS			
DRAWING NO.	REV	DESCRIPTION	DATE	ECO	APPR
THIRD ANGLE PROJ.	A	RELEASE TO MFG.	12/20/05	45824	CPM



RECOMMENDED CABLE STRIPPING DIMENSIONS
SCALE 3.000

CUSTOMER OUTLINE DRAWING
ALL OTHER SHEETS ARE FOR INTERNAL USE ONLY

UNLESS OTHERWISE SPECIFIED, DIMENSIONS ARE IN MM (INCHES) AND TOLERANCES ARE: 0.5 - 6mm ±0.2mm 6 - 30mm ±0.4mm 30 - 120mm ±0.6mm	MATERIAL	DRAWN C. McGRATH	DATE 22-Nov-05	TITLE TNC R/A CRIMP PLUG FOR RG-58/U, 58C/U CABLE	Amphenol Amphenol Corporation Communication and Network Products Division Danbury, CT U.S.A. 06810
	REFERENCE	ENGINEER O. BARTHELME	DATE 22-Nov-05		
NOTICE - These drawings, specifications, or other data (1) are, and remain the property of Amphenol Corp. (2) must be returned upon request; and (3) are confidential and not to be disclosed to any person other than those to whom they are given by Amphenol Corp. The furnishing of these drawings, specifications, or other data by Amphenol Corp., or to any other person to anyone for any purpose is not to be regarded by implication or otherwise in any manner licensing, granting rights or permitting such holder or any other person to manufacture, use or sell any product, process or design, patented or otherwise, that may in any way be related to or disclosed by said drawings, specifications, or other data.		APPROVED O. BARTHELME	DATE 12/20/05	SCALE: 3.0:1	SHEET 2 OF 2
		CAD FILE I:\TNC\31-5849-RFX	CODE ID 74868	DWG SIZE B	DRAWING NO. 31-5849-RFX