

4

3

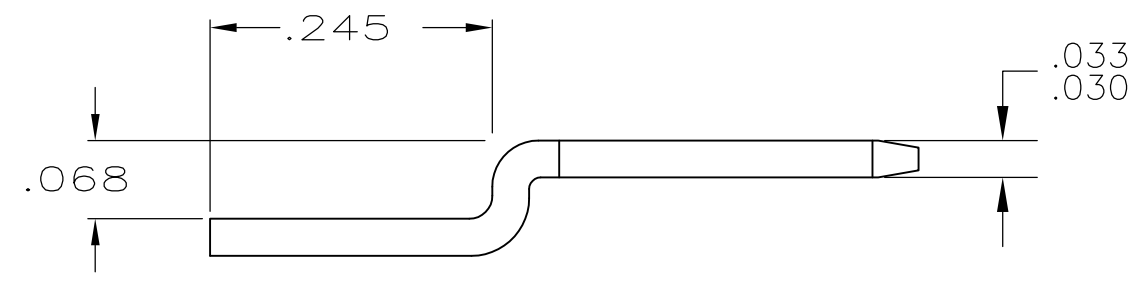
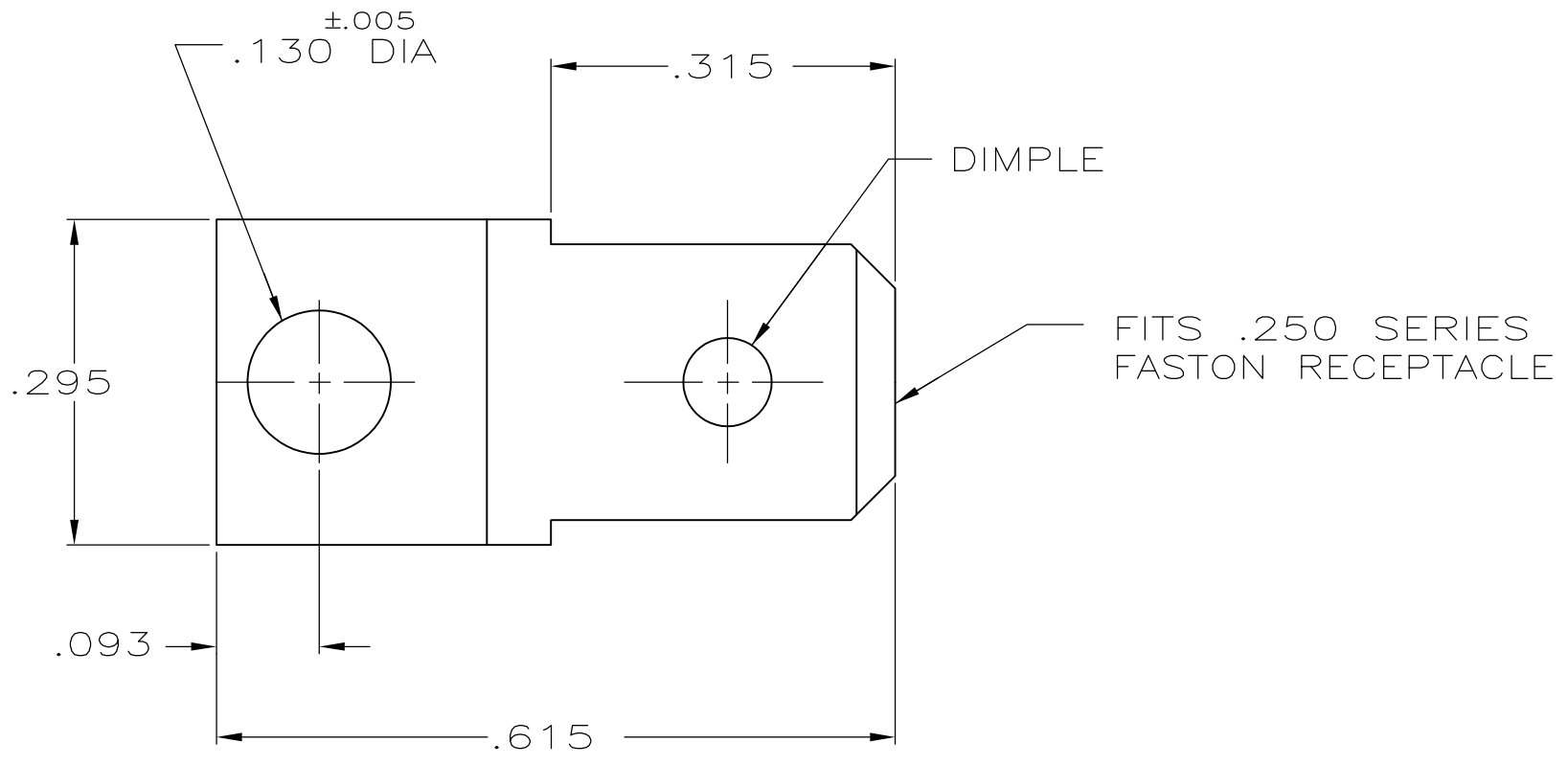
2

1


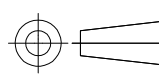
THIS DRAWING IS UNPUBLISHED. RELEASED FOR PUBLICATION
 © COPYRIGHT - By - ALL RIGHTS RESERVED.

LOC	DIST	REVISIONS					
AF	50	P	LTR	DESCRIPTION	DATE	DWN	APVD
			H1	REVISED PER ECO-11-004917	11MAR11	RK	HMR

1 SUPPLIED IN LOOSE PIECE



42506-2
 PART NO

THIS DRAWING IS A CONTROLLED DOCUMENT.		DWN	JR RUTH	1/25/89	 TE Connectivity								
DIMENSIONS: INCHES		CHK	MS FEHER	1/25/89									
		APVD	C MEYERS	1/25/89									
TOLERANCES UNLESS OTHERWISE SPECIFIED: 0 PLC ± - 1 PLC ± - 2 PLC ± - 3 PLC ± .010 4 PLC ± - ANGLES ± -		PRODUCT SPEC	NAME			TAB, FASTON, .250 SERIES							
MATERIAL	#2H BRASS	FINISH	TIN	WEIGHT	-	SIZE	A3	CAGE CODE	00779	DRAWING NO	C-42506	RESTRICTED TO	-
CUSTOMER DRAWING				SCALE	6:1	SHEET	1 OF 1	REV	H1				