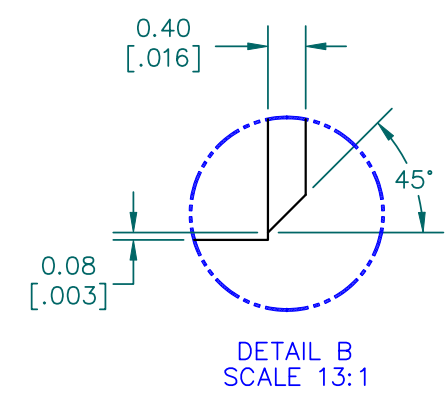
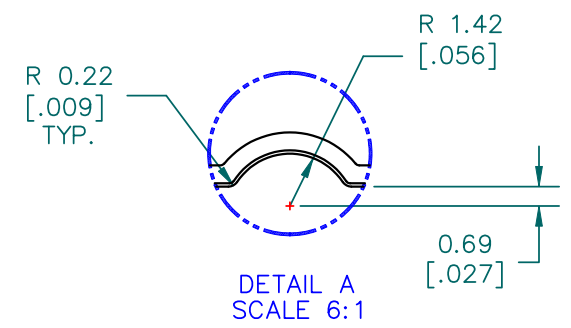
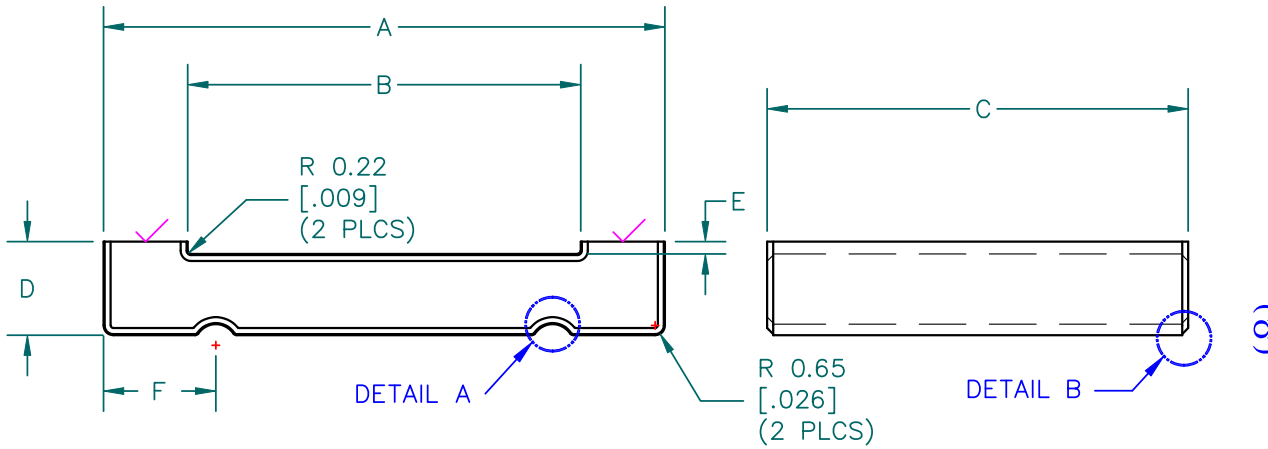
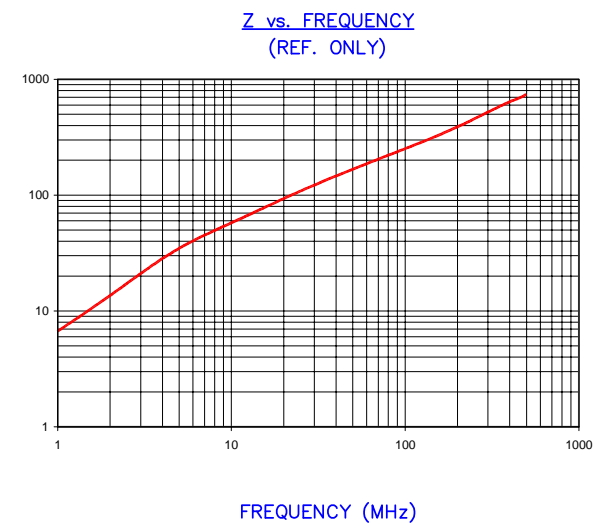


UNCONTROLLED  
DOCUMENT



IMPEDANCE ( Z )			
Frequency	25 MHz	100 MHz	300 MHz
Nominal (REF)	115 Ω	250 Ω	520 Ω
Minimum	- Ω	200 Ω	- Ω

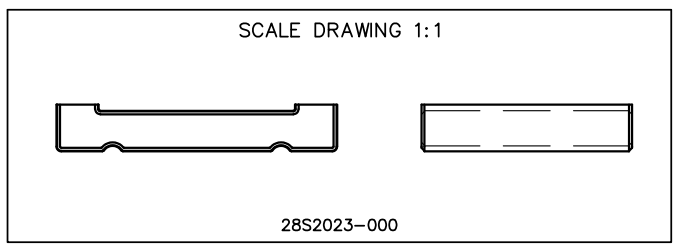


AGILENT E4991A Impedance/Material Analyzer  
HP 16092A-Test Fixture

FERRITE CORE DIMENSIONS (SPEC): mm [in]

A	38.10 [1.500]	+	0.76 [0.030]	
B	26.67 [1.050]	+	0.76 [0.030]	
C	25.40 [1.000]	+	0.51 [0.020]	
D	6.35 [.250]	+	0.25 [.010]	
E	0.84 [.033]	+	0.25 [.010]	
F	7.62 [.300]	+	0.25 [.010]	

WEIGHT/1000    30.56 kgs.    67.38 Lbs.



DIMENSIONS ARE IN mm[INCHES].				THIS DOCUMENT CONTAINS INFORMATION WHICH IS PROPRIETARY AND CONFIDENTIAL TO STEWARD. NO PRODUCTION OR PUBLICATION OF THIS DOCUMENT IN WHOLE OR IN PART SHALL BE MADE WITHOUT WRITTEN AUTHORIZATION FROM STEWARD.			
G	UPDATE FORMAT & Z SPECS ADD CURVE CHANGE TOLS ON F DIMENSION	07/07/03	JRK	Steward			
F	CORRECT DIM F	07/16/01	JRK				
E	UPDATE PRINT FOR ELECTRONIC DATABASE UPDATE Z SPECS & REMOVED NOTE "2"	11/09/00	JAJ	PROJECT/PART NUMBER:	REV	PART TYPE:	DRAWN BY:
D	ADDED GROSS ELECT. TEST & NOTES	04/03/97	BAC	28S2023-000	G	FERRITE SPLIT RIBBON	DJB
C	UPDATE P/N FOR NEW CATALOG	09/27/95	JBE				
B	UPDATE	11/04/94	JBE				
A	ORIGINAL DRAFT	12/17/90	DJB				
REV	DESCRIPTION	DATE	INT				
				DATE: 12/17/90		SCALE: 2 : 1	
				CAD # 28S2023-000-G		TOOL # S2023	
				MATERIAL: STEWARD 28			