



PRODUCT DATASHEET

Sandra series

last update 25/9/2013

DETAILS

Product Number	C13405_SANDRA-12-M
Family	Sandra
Type	Lens array
Color	clear
Diameter	67 mm
Height	11,1 mm
Style	round
Optic Material	PMMA
Holder Material	
Fastening	pin
Status	production ready
ROHS Compliant	Yes
Date Updated	25/09/2013



OPTICAL PROPERTIES

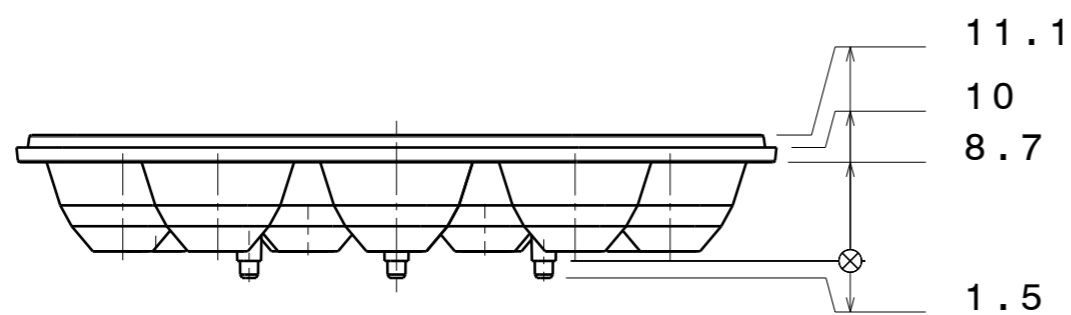
LED	Viewing Angle	Light Beam	Efficiency	cd/lm	Connector
XP-G2	32 deg	Medium	91 %	2.450	-
XP-G3	sim: 32	Medium	sim: 94 %	sim: 2.500	-

H G F E D C B A

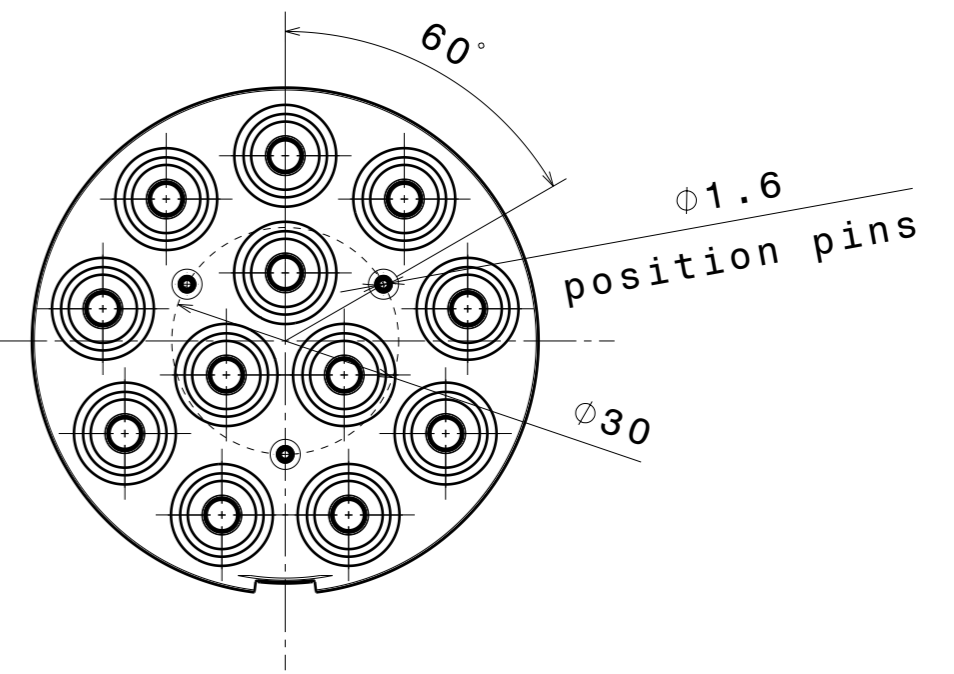
4

4

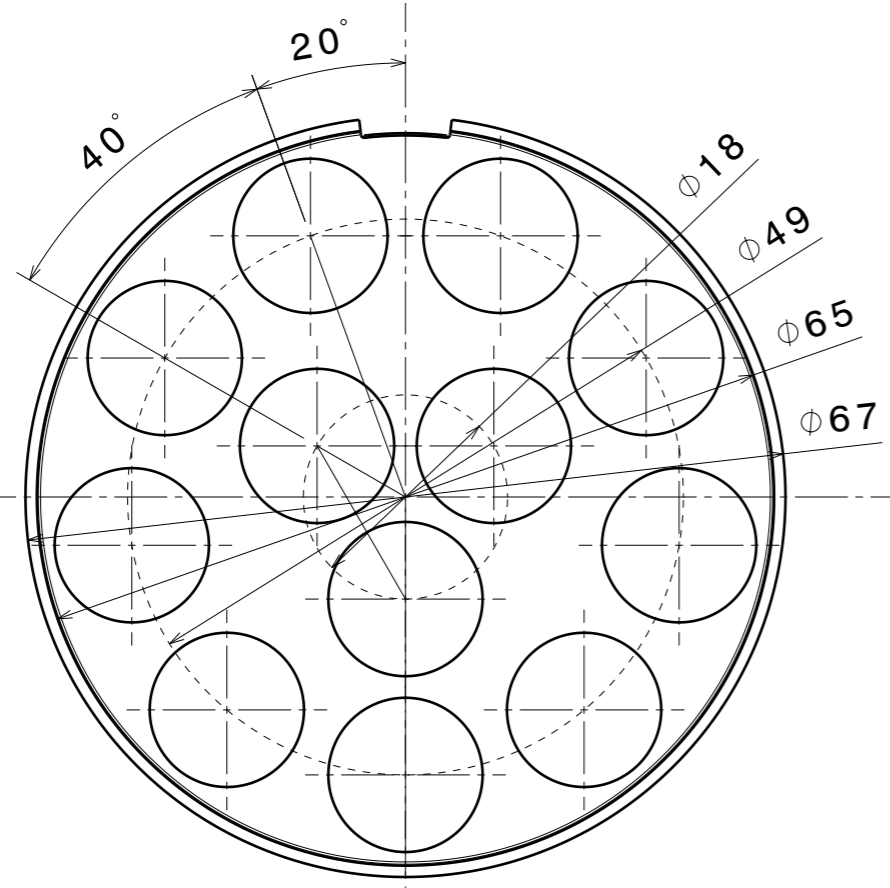
Front view



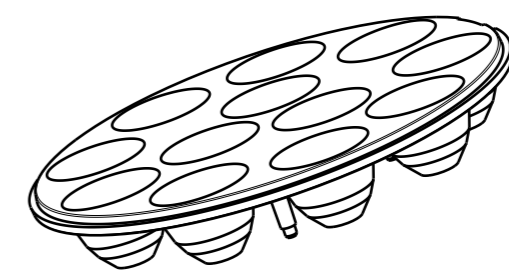
Bottom view



Top view



Isometric view



3

3

2

2

1

1

H G B A

INDEX	PART NO	DESCRIPTION	MATERIAL	COLOUR
1	C13405	SANDRA-12-M	PMMA 8N	

Tolerances if not otherwise shown
According to DIN ISO 2768-1
Linear measures:
Up to 30mm class M, otherwise class C.
According to DIN ISO 2768-2
Form and position: class L

LEDiL LediL Oy
Salorankatu 10
FIN 24240 SALO
Finland

THIRD ANGLE PROJECTION:

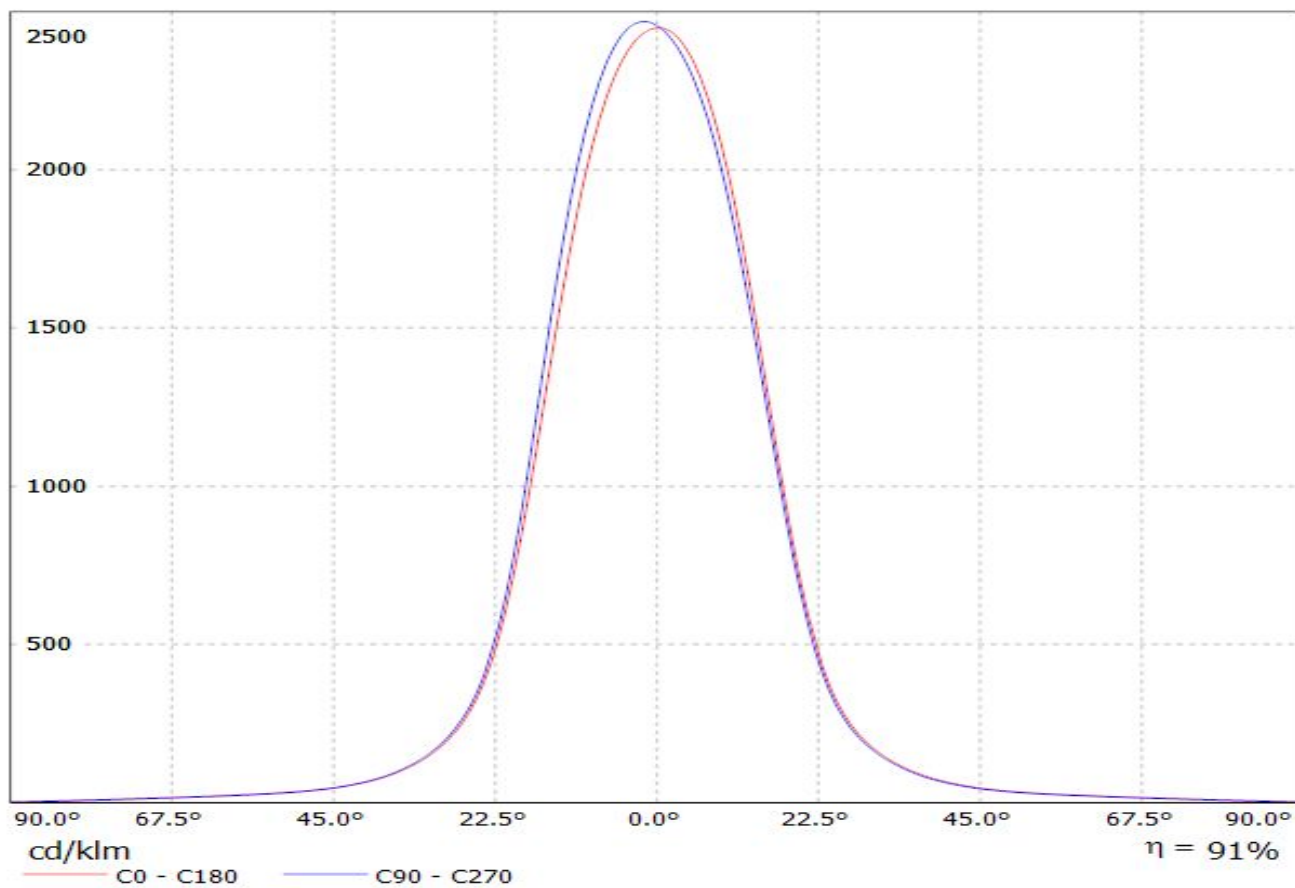
DRAWING TITLE
C13405_SANDRA-12-M

This drawing is the property of LEDiL Oy. It may not be reproduced, copied or communicated without a written agreement with LEDiL Oy."

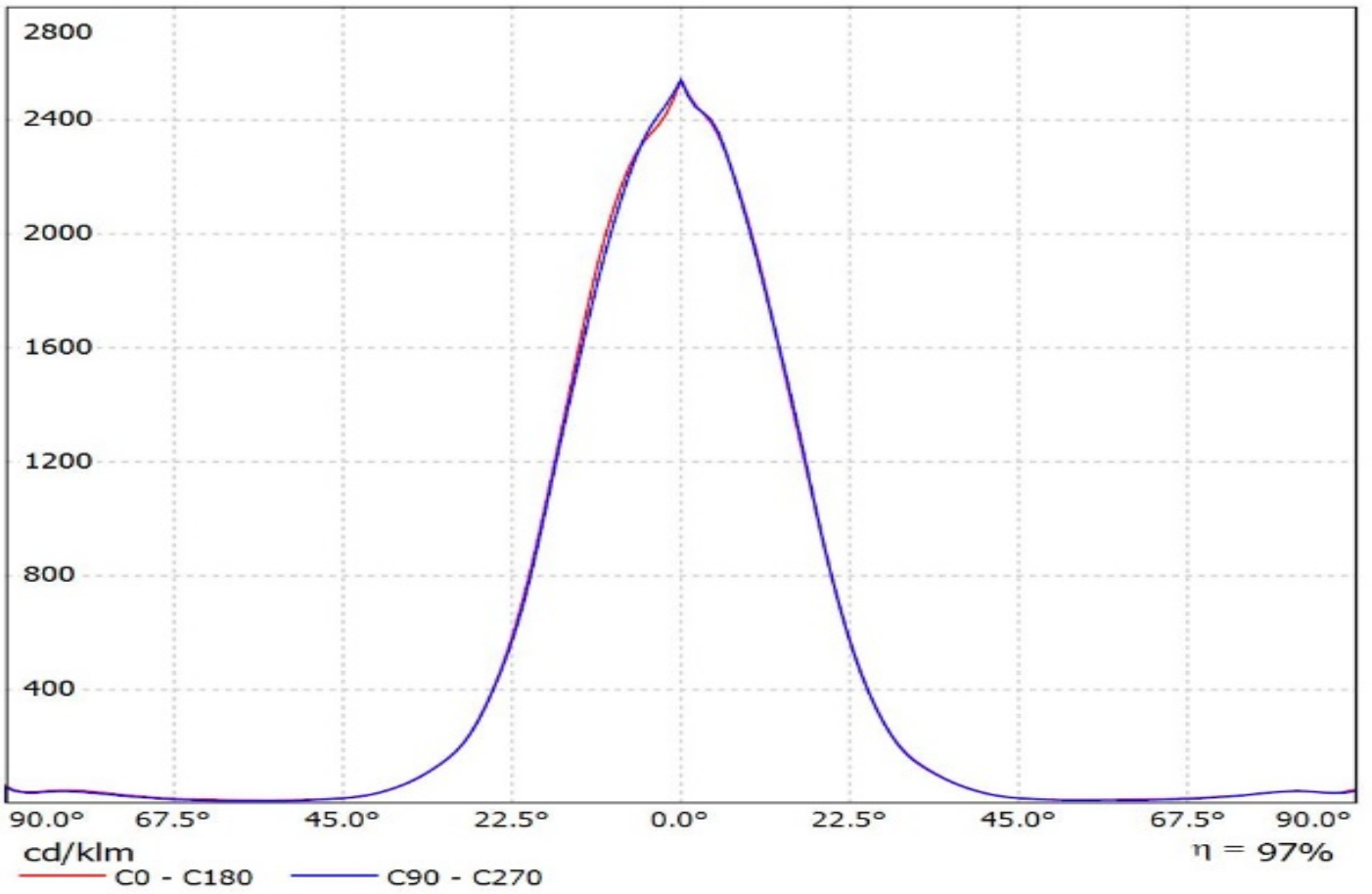
SIZE	PART NUMBER		
A3	C13405		

SCALE	1:1	WEIGHT	- g	SHEET	1/1
-------	-----	--------	-----	-------	-----

Luminaire: LEDiL Oy C13405_SANDRA-12-M_(XP-G2) Eff.90.7%
Lamps: 1 x CREE XP-G2 (1256.27lm@250mA)

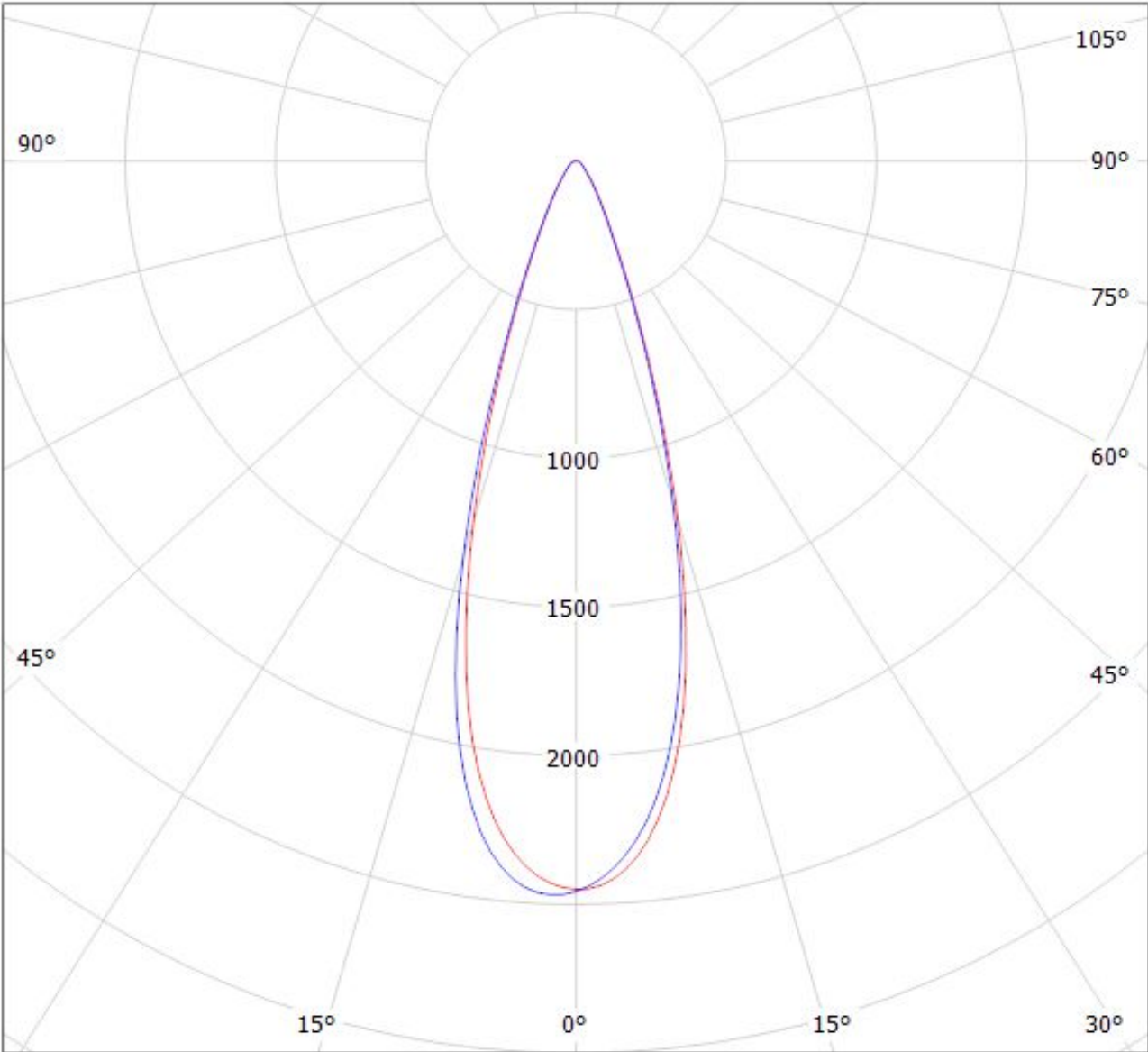


Luminaire: Ledil Oy C13405_SANDRA-12-M_(XP-G3)_SIMULATED
Lamps: 1 x Cree XP-G3



Luminaire: LEDiL Oy C13405_SANDRA-12-M_(XP-G2) Eff.90.7%

Lamps: 1 x CREE XP-G2 (1256.27lm@250mA)



cd/klm

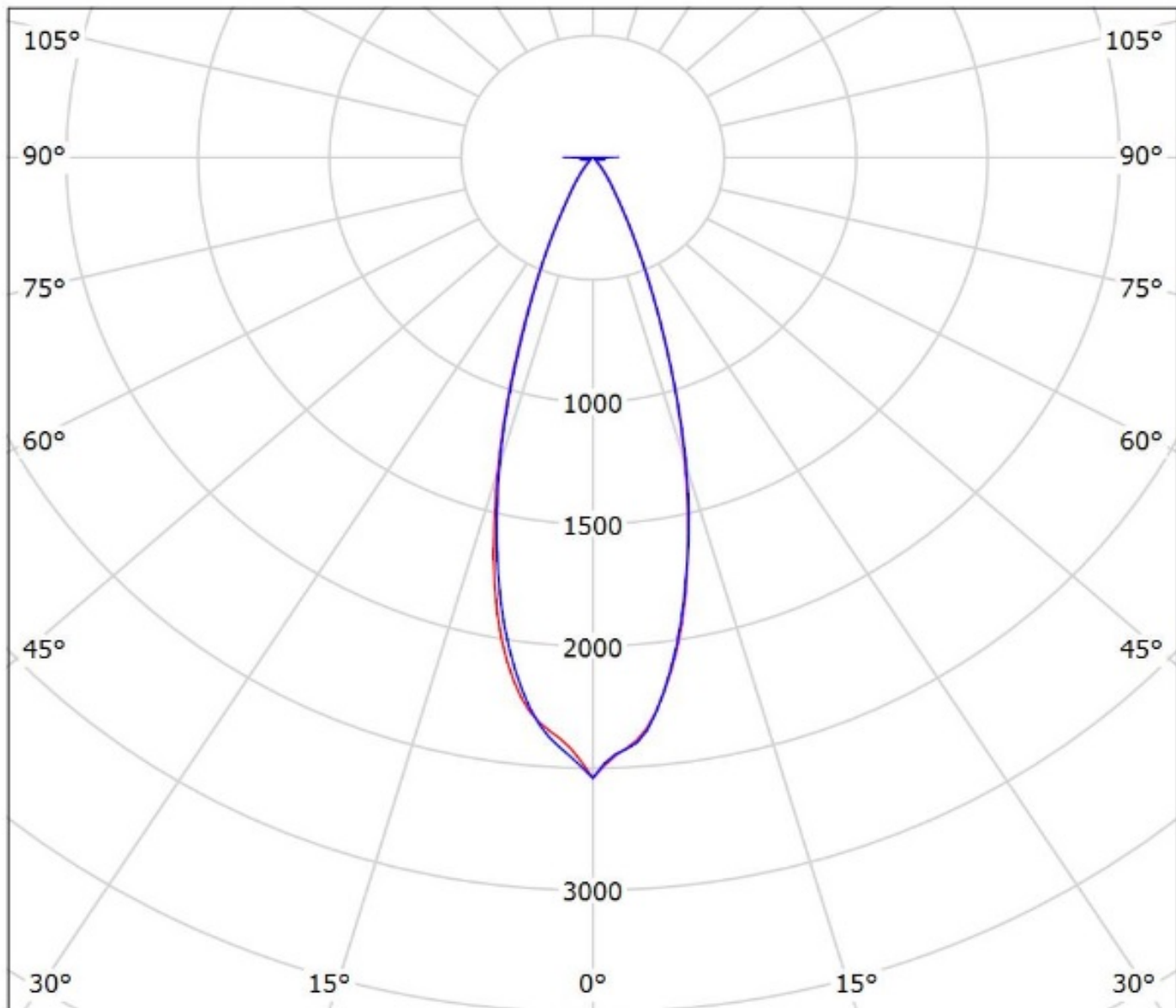
— C0 - C180

— C90 - C270

$\eta = 91\%$

Luminaire: Ledil Oy C13405_SANDRA-12-M_(XP-G3)_SIMULATED

Lamps: 1 x Cree XP-G3



cd/klm

— C0 - C180 — C90 - C270

$\eta = 97\%$

NOTE: The typical divergence will be changed by different color, chip size and chip position tolerance. The typical total divergence is the full angle measured where the luminous intensity is half of the peak value.