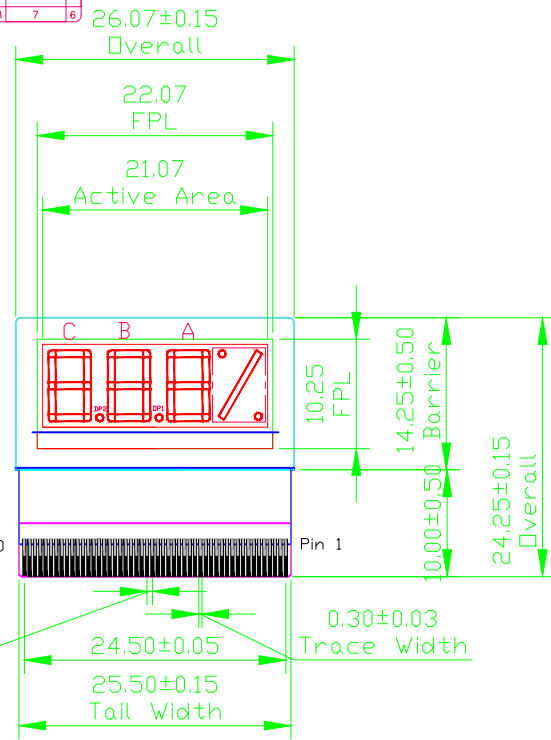
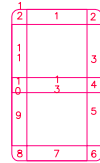


Pin	Description	Segment	Pin	Description	Segment
1	Top electrode		30	DP2	29
2	Field	1	31	b1	30
3	a1	2	32	b2	31
4	a2	3	33	b3	32
5	a3	4	34	b4	33
6	a4	5	35	b5	34
7	a5	6	36	b6	35
8	a6	7	37	b7	36
9	a7	8	38	b8	37
10	a8	9	39	b9	38
11	a9	10	40	b10	39
12	a10	11	41	b11	40
13	a11	12	42	b12	41
14	a12	13	43	b13	42
15	a13	14	44	%	43
16	DP1	15			
17	b1	16			
18	b2	17			
19	b3	18			
20	b4	19			
21	b5	20			
22	b6	21			
23	b7	22			
24	b8	23			
25	b9	24			
26	b10	25			
27	b11	26			
28	b12	27			
29	b13	28			



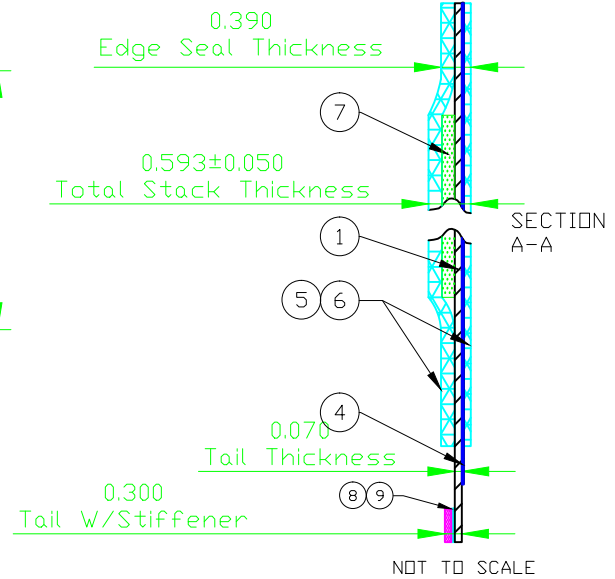
45-50  
blank  
Connector-  
Tyco  
5-1734592-0

REV.	DESCRIPTION	DESIGN	DATE
	INITIAL RELEASE		

SDC 2 (PI/FPC BACKPLANE) MATERIALS LIST				
ITEM	LAYER COLOR	DESCRIPTION	MATERIAL	THICKNESS (μm)
1		BACKPLANE	PI/CuNiAu	60
2		ELECTRODE-FRONT	CuNiAu	30
3		ELECTRODE-REAR	CuNiAu	25
4		DIELECTRIC	PI or Other	175
5		FRONT BARRIER	EINK 110-1031	175
6		REAR BARRIER	EINK 110-1032	100
7		FPL	E INK-Vizplex	175
8		STIFFENER	MYLAR PET	180
9		STIFFENER ADHESIVE	PSA	50

Note:  
1. SDC should be built in accordance with the MFG Spec.  
2. Critical Dimensions Should Be Denoted with Min-Max Tolerances.



MATERIAL	HEAT & SURFACE TREATMENT		E Ink Holdings Inc.	
APPROVE	S ONell	SCALE	UNIT	PROJECTION METHOD
CHECK	S ONell	1/1	mm	3 Digit Numeric
DESIGN	S ONell	ORIGINAL NAME	DWG. NO.	REV. SHEET
			SC004221	01 1/1