

DWG. 10.
SD-57964-002

SIMILAR ITEM

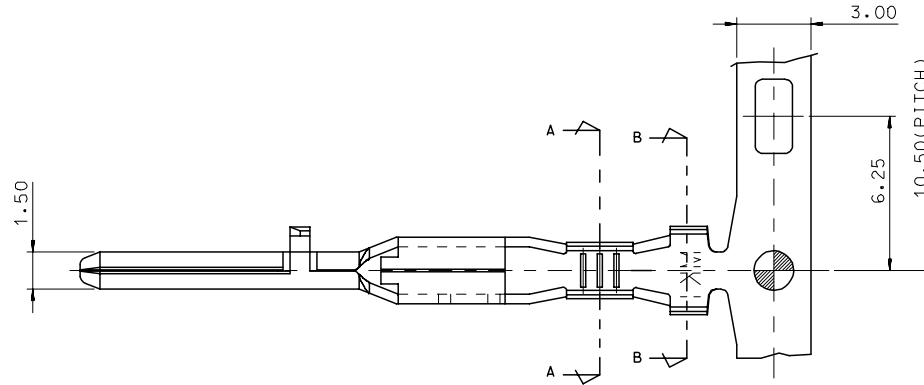
PROJECT NO.

C

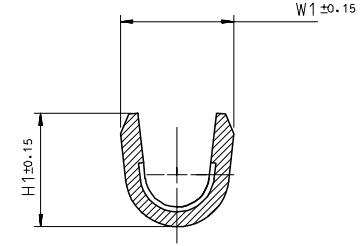
B

DO NOT SCALE DRAWING
DIMENSION IN METRIC

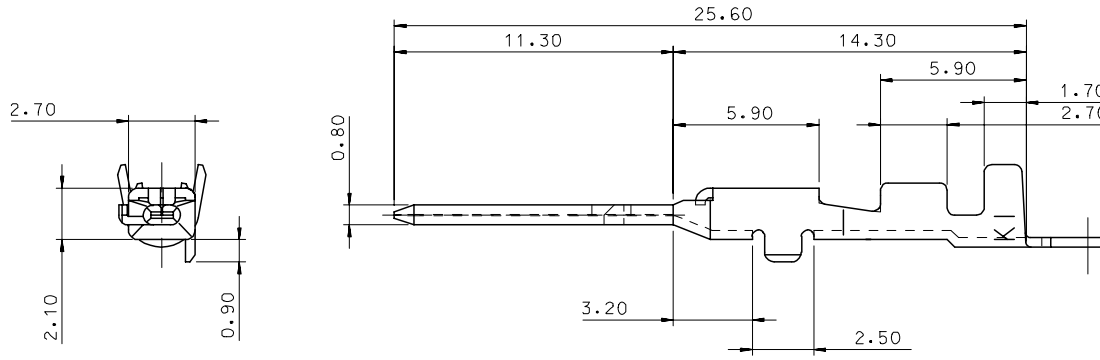
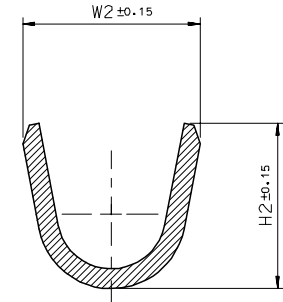
ENG.NO	MATERIAL NO.	DESCRIPTION	DIMENSION						WIRE RANGE mm ²
			W1	H1	R1	W2	H2	R2	
57964-9702	579649702	.060 MALE TER'L(S)	2.3	2.3	R0.65	3.6	3.35	R0.90	AVS(CAVS) 0.3,0.5
57964-9802	579649802	.060 MALE TER'L(M)	2.8	2.95	R0.9	4.2	3.9	R1.3	AVS(CAVS) 0.5,0.85,1.25
57964-9902	579649902	.060 MALE TER'L(L)	3.8	4.1	R1.1	4.5	4.0	R1.4	AVSS 2f



SECTION A-A
(S=10:1)



SECTION B-B
(S=10:1)



- MATERIAL: BRASS, $\pm=0.35\pm0.02$
- FINISH: PRE-TIN

CHANGE OF BOARD
EC NO.: KOR2006-0039
DRWN: S.Y.PARK 05/09/20
CHK: B.C.YOON 05/09/20
APPR: C.W.LEE 05/09/20

QUALITY SYMBOLS
MAJOR =
CRITICAL C =

	GENERAL TOLERANCES: (UNLESS SPECIFIED)	
	mm	INCH
4 PLACES	±0.	±.
3 PLACES	±0.	±.
2 PLACES	±0.3	±.
1 PLACE	±0.	±.
ANGULAR: ±		°

SCALE 5:1
DESIGN UNITS mm INCH
DRAWN BY & DATE
H.C.RHO 011229
CHECKED BY & DATE
H.C.RHO 011229
APPROVED BY & DATE
C.W.LEE 011229
CAD FILENAME
S060MT

THIRD ANGLE PROJECTION
DIMENSIONS: mm INCH mm ONLY INCH ONLY
TITLE:
.060 MALE TERMINAL

SHT REV
REVISE ON CAD ONLY
MOLEX MOLEX INCORPORATED KOREA
MATERIAL NO. SEE TABLE
DRAWING NO. SD-57964-002
SHEET NO. 1 OF 1

DRAFT WHERE APPLICABLE MUST REMAIN WITHIN DIMENSIONS

THIS DRAWING CONTAINS INFORMATION THAT IS PROPRIETARY TO MOLEX INCORPORATED AND SHOULD NOT BE USED WITHOUT WRITTEN PERMISSION.
SIZE B