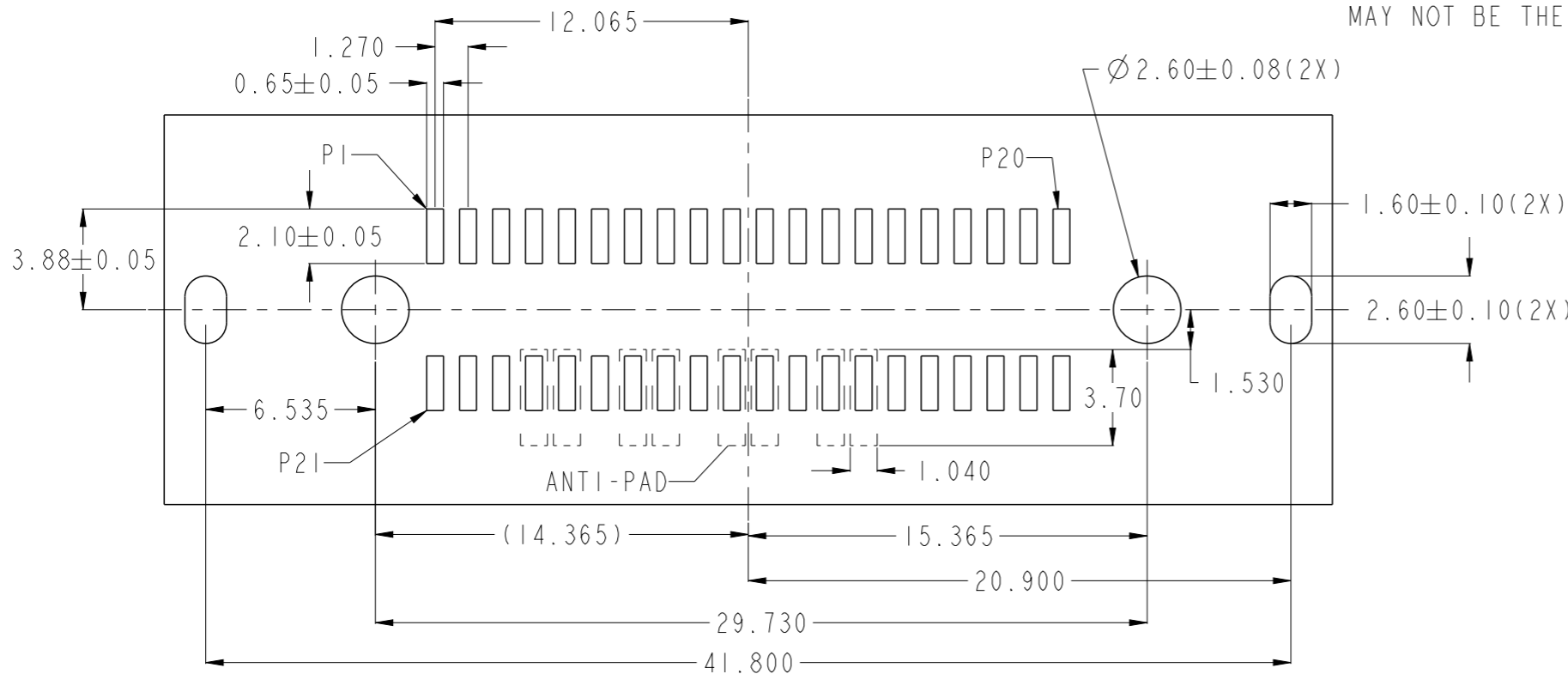


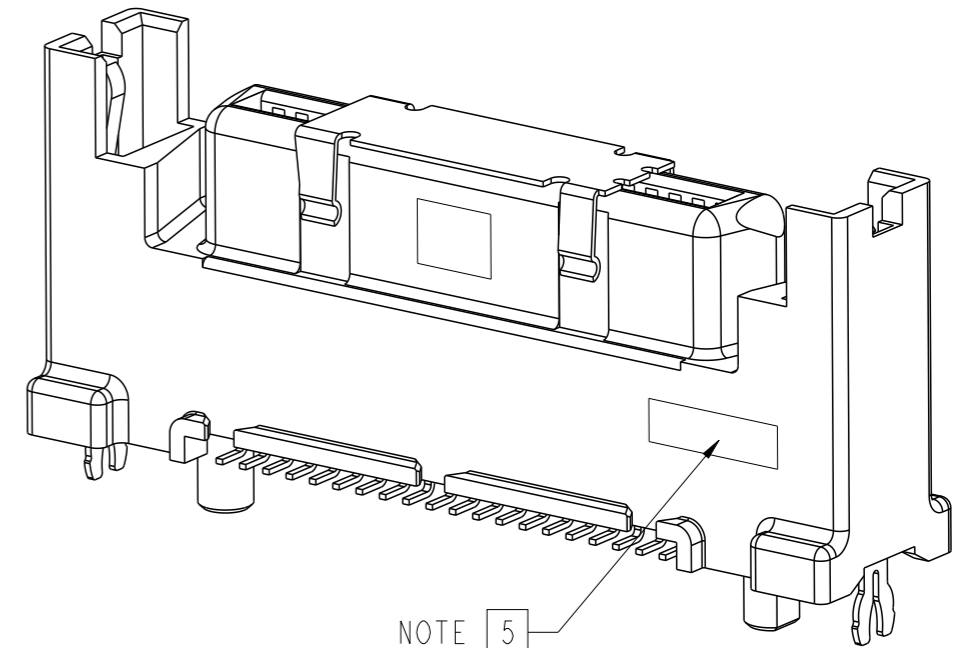
PRODUCT No.	PICK UP CAP	PLATING SPEC	PACKAGING
10121749-001LF	NO	2A	TRAY
10121749-001TRLF	NO		TAPE & REEL
10121749-001CLF	YES		TRAY
10121749-001C-TRLF	YES		TAPE & REEL
10121749-101LF	NO	2B	TRAY
10121749-101TRLF	NO		TAPE & REEL
10121749-101CLF	YES		TRAY
10121749-101C-TRLF	YES		TAPE & REEL
10121749-002LF	NO	2A	TRAY
10121749-002TRLF	NO		TAPE & REEL
10121749-002CLF	YES		TRAY
10121749-002C-TRLF	YES		TAPE & REEL



- NOTES:
- MATERIALS:
HOUSING : HIGH TEMPERATURE THERMOPLASTIC
CONTACTS : COPPER ALLOY
ESD CONTACTS : COPPER ALLOY
 - PLATING SPECIFICATION:
A. CONTACTS : 1.27um/50u" MIN NICKEL UNDERPLATE
0.76um/30u" MIN GOLD AT CONTACT AREA
2.54um/100u" MIN TIN AT SOLDER TAIL
ESD CONTACTS : 1.27um/50u" MIN NICKEL UNDERPLATE
2.54um/100u" MIN TIN OVERALL
B. CONTACTS : 1.27um/50u" MIN NICKEL UNDERPLATE
0.76um/30u" MIN GXT PLATING AT CONTACT AREA
2.54um/100u" MIN TIN AT SOLDER TAIL
ESD CONTACTS : 1.27um/50u" MIN NICKEL UNDERPLATE
2.54um/100u" MIN TIN OVERALL
 - THE HOUSING WILL WITHSTAND EXPOSURE TO 260° PEAK TEMPERATURE FOR 10 SECONDS IN A CONVECTION, INFRA-RED OR VAPOR PHASE REFLOW OVEN.
 - THIS PRODUCT MEETS EUROPEAN UNION DIRECTIVES AND OTHER COUNTRY REGULATIONS AS DESCRIBED ON GS-47-0004.
 - APPROXIMATE LOCATION FOR DATE CODE MARKING.
 - A SYMBOL BE NEXT TO ANY DIMENSION, VIEW OR NOTE WHICH HAS BEEN MODIFIED WITH THE CURRENT DRAWING REVISION.
 - DRAWING OF PICK UP CAP IS FOR ILLUSTRATION PURPOSE ONLY, ACTUAL ORIENTATION MAY NOT BE THE SAME ON PRODUCT.

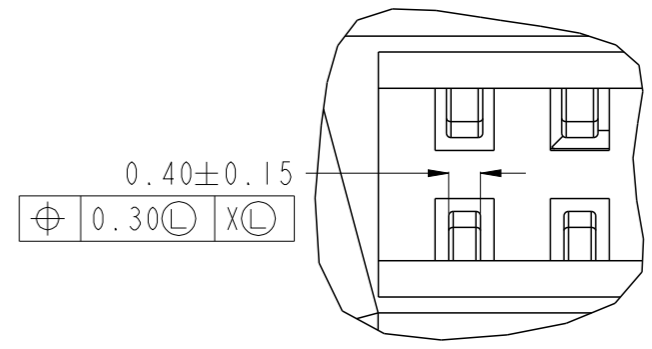
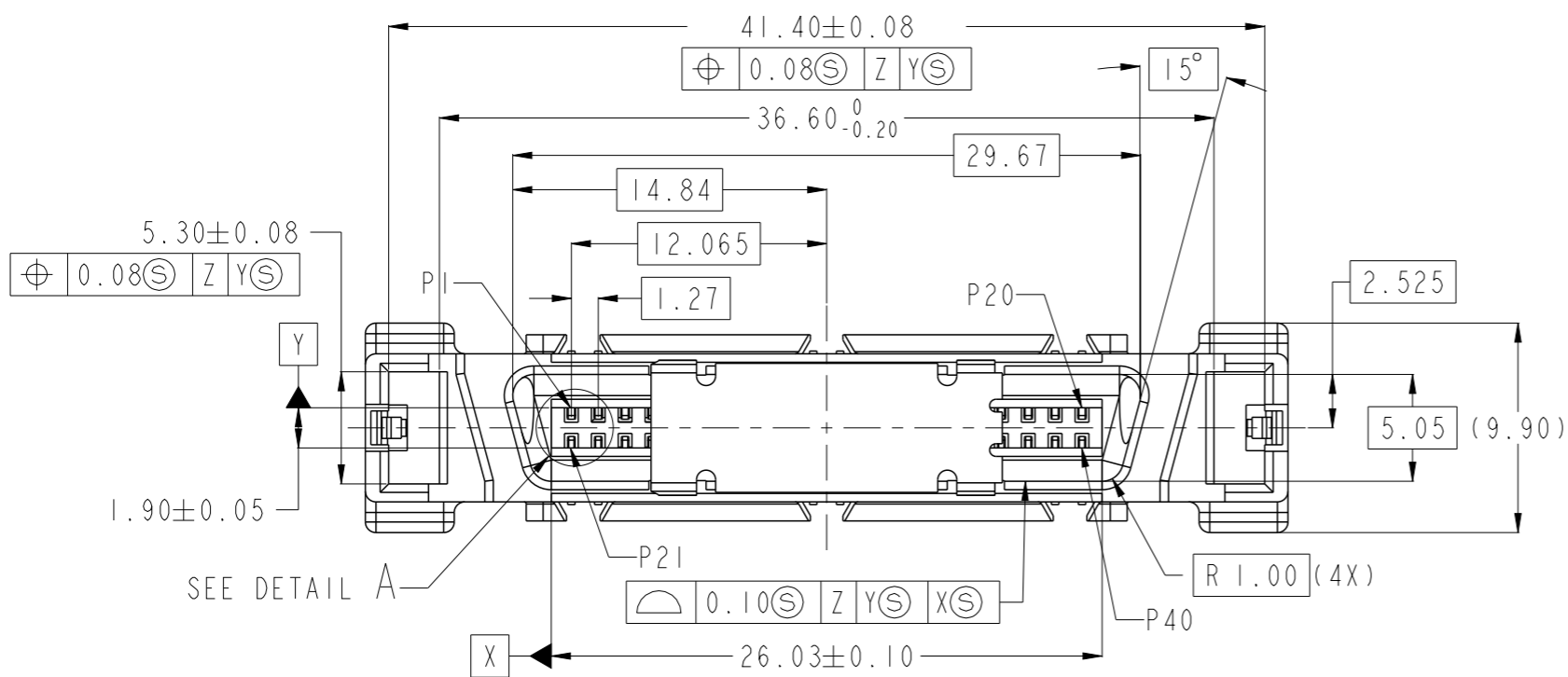


RECOMMENDED PCB LAYOUT
SCALE 4:1

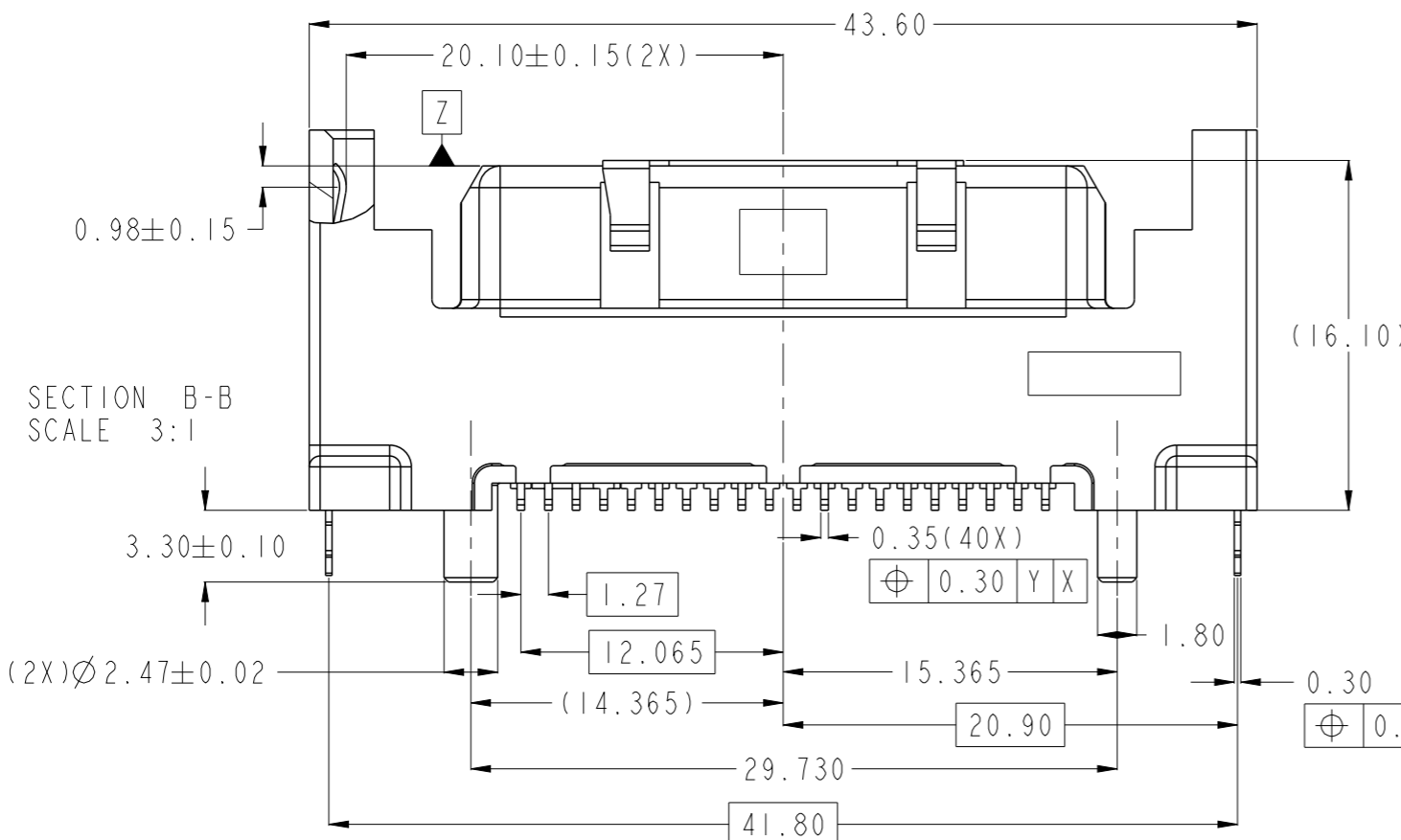


SCALE 3:1

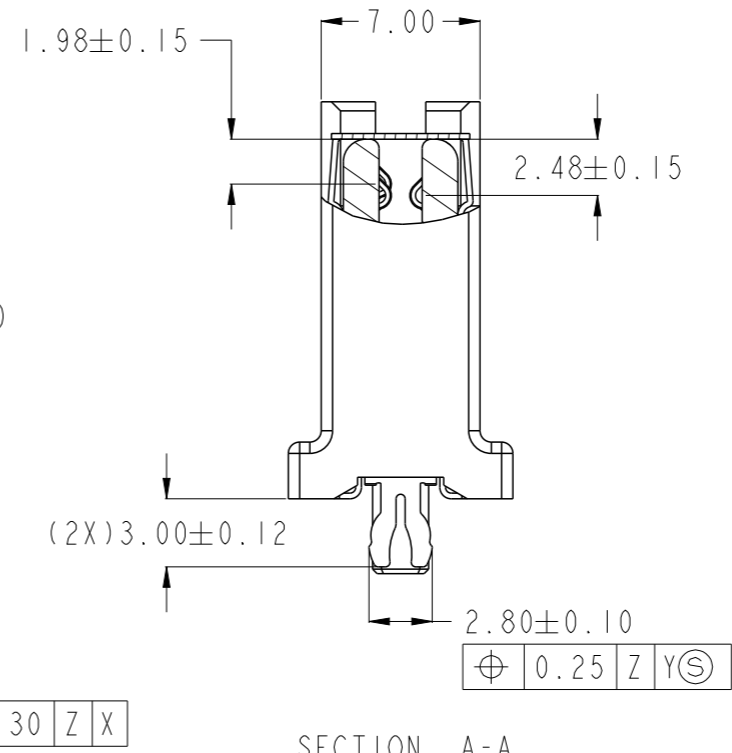
spec ref	-	dr	Koon-Poh Tay	2013/04/23	projection	MM	size	A3	scale	1:1	
tolerance std	TOLERANCES UNLESS OTHERWISE SPECIFIED	eng	Koon-Poh Tay	2016/05/03		← →	ecn no	ELX-S-23975-1			
-	-	chr	-	-			rel level	Released			
surface	linear	appr	Chen-Hong Tan	2016/05/26	product family	-	dwg no	10121749		rev	C
-	angular						cat. no.		Product - Customer Drw		sheet 1 of 2



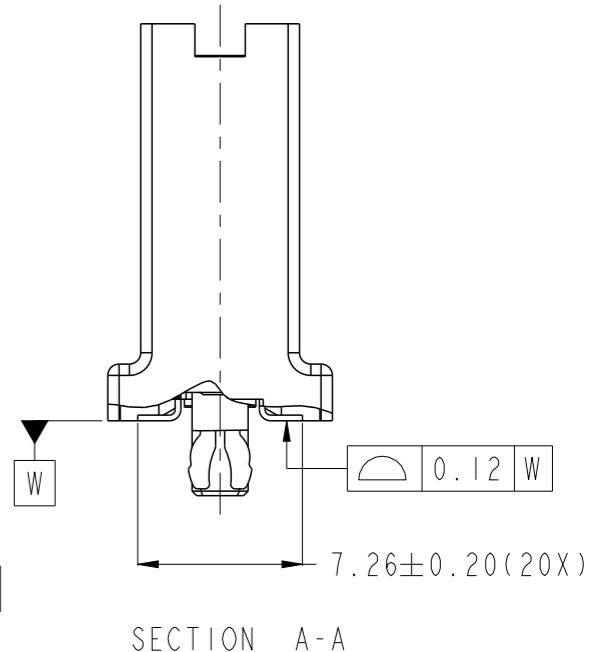
DETAIL A
SCALE 12:1



SECTION B-B
SCALE 3:1



SECTION A-A



SECTION A-A

spec ref	-	dr	Koon-Poh Tay	2013/04/23	projection	MM	size	A3	scale	1:1												
tolerance std	TOLERANCES UNLESS OTHERWISE SPECIFIED	eng	Koon-Poh Tay	2016/05/03			ecn no	ELX-S-23975-1														
-	-	chr	-	-			rel level	Released														
surface	<table border="1"> <tr> <td>linear</td> <td>0.X</td> <td>±0.35</td> </tr> <tr> <td></td> <td>0.XX</td> <td>±0.25</td> </tr> <tr> <td></td> <td>0.XXX</td> <td>±0.13</td> </tr> <tr> <td>angular</td> <td>0°</td> <td>±2°</td> </tr> </table>	linear	0.X	±0.35		0.XX	±0.25		0.XXX	±0.13	angular	0°	±2°	appr	Chen-Hong Tan	2016/05/26	product family	-	rel level	Released		
linear	0.X	±0.35																				
	0.XX	±0.25																				
	0.XXX	±0.13																				
angular	0°	±2°																				
		Amphenol FCI			12G SCA-2 Receptacle 40 POS VERTICAL SMT EXT. HT.		dwg no	10121749		rev	C											
					cat. no.	-	Product - Customer Drw		sheet 2 of 2													