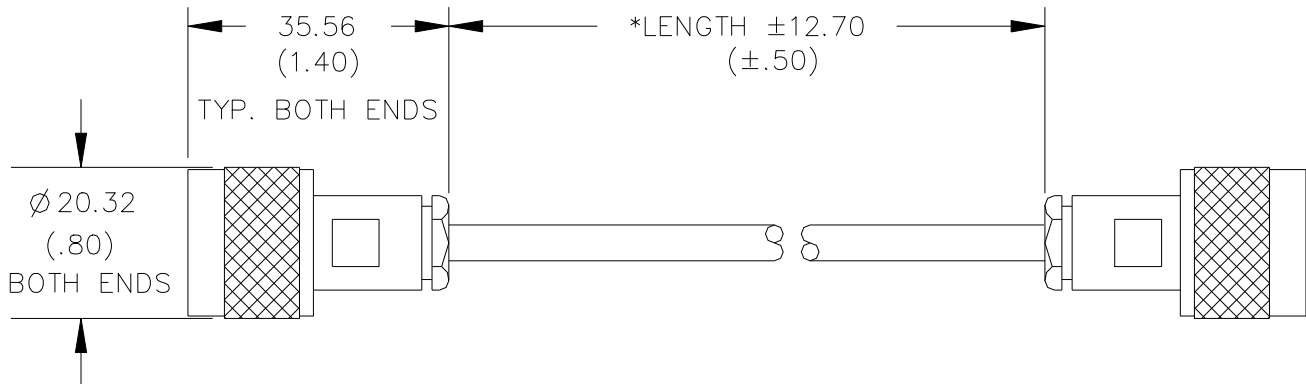


## Model 2256 Patch Cord "N" (Male) Both Ends



	<b>RG 142B/U (Tinted Brown)</b>
Model	2256-X-XX
Capacitance pf/ft.	29.0
Nominal Impedance	50
Temp	+200°C

### MATERIALS:

- Conn: 1<sup>st</sup> end – Type "N" male, See table above.  
 Finish: Body and Fitting, Tarnish resistant.  
 Center contact-Gold plated per requirements of MIL-C-39012.  
 Nominal Impedance: 50 Ohms.
- Cable: See table above. Marking: "POMONA 2256-X-XX".
- Conn: 2<sup>nd</sup> end – Same as first end.

### RATINGS:

- Operating Temperature: 2256-C-XX: +80°C (+176°F.) Max.  
 2256-X-XX: +200°C (+440°F.) Max.
- Operating Voltage: 1000 VRMS Max.

### ORDERING INFORMATION: Model 2256-X-XX

- XX = Cable Lengths, Standard Length: 36" (914), 48" (1219) & 60" (1542).  
 Additional lengths can be quoted upon request.  
 Ordering Example: 2256-X-60 Indicates 60" in length

All dimensions are in inches. Tolerances (except noted): .xx = ±.02" (.51 mm), .xxx = ±.005" (.127 mm).  
 All specifications are to the latest revisions. Specifications are subject to change without notice.  
 Registered trademarks are the property of their respective companies. Made in USA