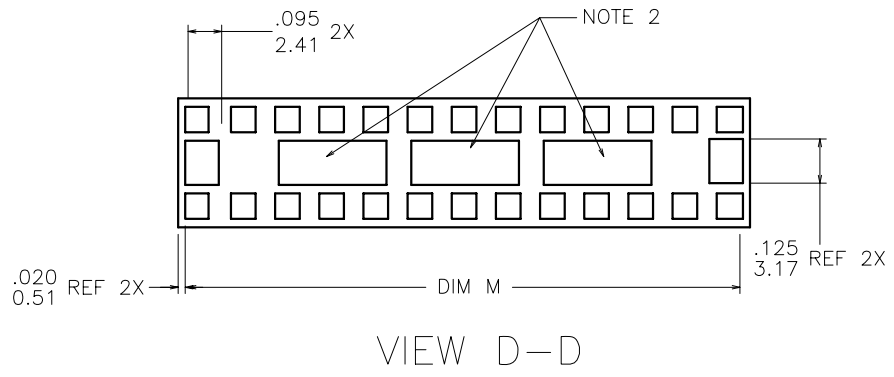
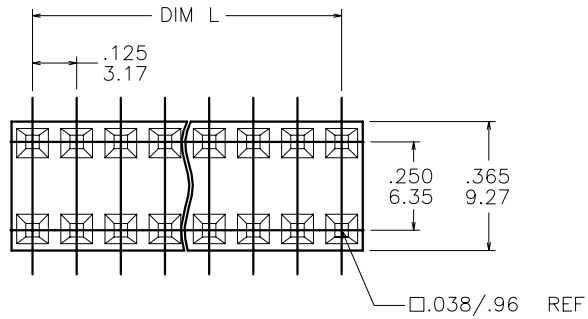
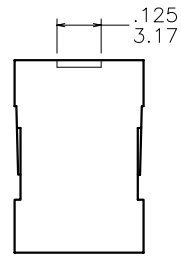
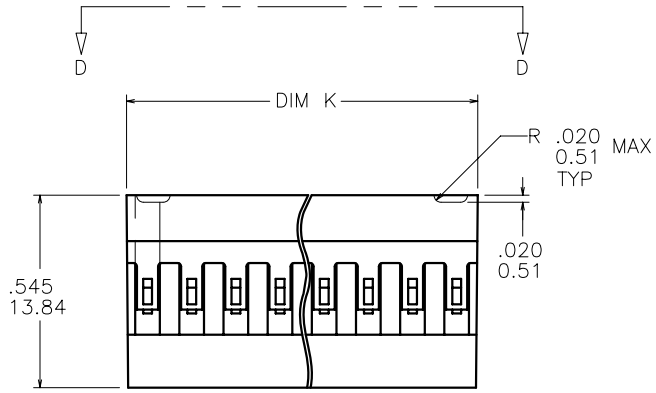


PRODUCT NUMBER
SEE TABLE



VIEW D-D

mat'l. code SEE NOTE 1				surface ✓		tolerance tolerances unless otherwise specified		projection INCH/MM		product family PV HOUSINGS	
ltr	ec'n no	dr	date	angles	linear	.XX+01/XX+3		INCH/MM		title MINI LATCH HOUSING DR .125[3.18] X .250[6.35] CC WITH LATCHING FEATURE	
B	v51219	MSC	1995-11-27			.XXX+005/XXX+13		scale 2:1		dwg no 86585	
C	c90983	DKE	1995-06-24			.XXXX+0020/XXX+051				sheet 1 of 2 size A3	
D	v03-1362	PJ	2004-02-19	0°±2'						type Product Customer Drawing	
E	v05-0717	TAB	2005-07-29	dr	J. W. BAIR	1990-05-09					
F	v06-0447	HTB	2006-05-16	engr	C. TREXLER	1990-05-09					
G	v07-0534	HTB	2007-08-22	chr	C. TREXLER	1990-09-04					
				appd	C. TREXLER	1990-09-04					
sheet index	revision	G	G								
	sheet	1	2								



Copyright FCJ

PRODUCT NUMBER	NO OF POS	DIM K MAX	DIM L	DIM M	CUSTOMER P/N
86585-012LF	2 X 6	.750/19.05	.625/15.88	.703/17.86	304502-257
86585-024LF	2 X 12	1.500/38.10	1.375/34.93	1.453/36.91	304502-256
86585-030LF	2 X 15	1.875/47.63	1.750/44.45	1.828/46.43	304502-255
86585-032LF	2 X 16	2.000/50.80	1.875/47.63	1.953/49.61	304502-264
86585-036LF	2 X 18	2.250/57.15	2.125/53.98	2.203/55.96	304502-254
86585-038LF	2 X 19	2.375/60.33	2.250/57.15	2.328/59.13	304502-259
86585-040LF	2 X 20	2.500/63.30	2.375/60.33	2.453/62.31	304502-261
86585-044LF	2 X 22	2.750/69.85	2.625/66.68	2.703/68.66	304502-263
86585-050LF	2 X 25	3.125/79.38	3.000/76.20	3.078/78.18	304502-258
86585-060LF	2 X 30	3.750/95.25	3.625/92.08	3.703/94.06	304502-262
86585-066LF	2 X 33	4.125/104.78	4.000/101.60	4.078/103.58	304502-260
86585-072LF	2 X 36	4.500/114.30	4.375/111.13	4.453/113.11	304502-253

NOTES:

- ① MOLDING MATERIAL: MODIFIED POLYPHENYLENE ETHER, FLAME RETARDANT PER UL-94V-0, COLOR: BLACK.
- ② CORING LOCATION IS A MANUFACTURING OPTION.
3. PRODUCT MEETS EUROPEAN UNION DIRECTIVES AND OTHER COUNTRY REGULATIONS AS DESCRIBED IN GS-22-008.
4. THIS PRODUCT IS NOT INTENDED TO BE EXPOSED TO MANUFACTURING SOLDER PROCESSES.
5. PRODUCT SPECIFICATION: BUS-12-067.



FCconnect.com

Copyright FCJ

mat'l. code SEE NOTE 1		surface ✓	tolerance	projection ⊕	product family PV HOUSINGS
ltr	ecrn no	dr	date	tolerances unless otherwise specified	title MINI LATCH HOUSING DR .125[3.18] X .250[6.35] CC WITH LATCHING FEATURE
G				angles linear 0°±2'	INCH/MM scale 1:1
				dr J. W. BAIR 1990-05-09	dwg no 86585
				enr C. TREXLER 1990-05-09	sheet 2 of 2 size A3
				chr C. TREXLER 1990-09-04	type Product Customer Drawing
				appd C. TREXLER 1990-09-04	
sheet index	revision sheet				