



PRODUCT DATASHEET

Eva series

last update 30/12/2016

DETAILS

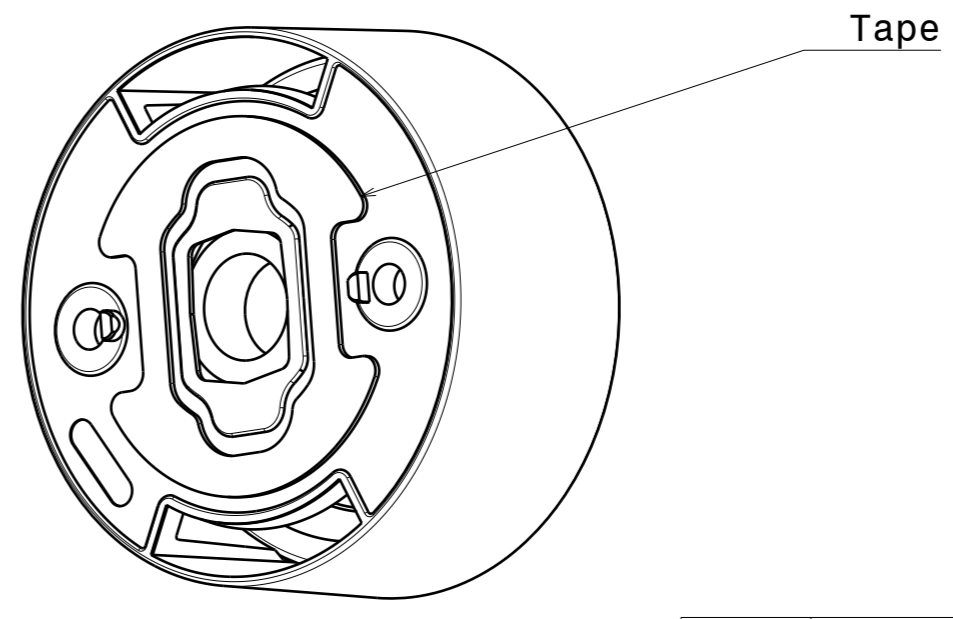
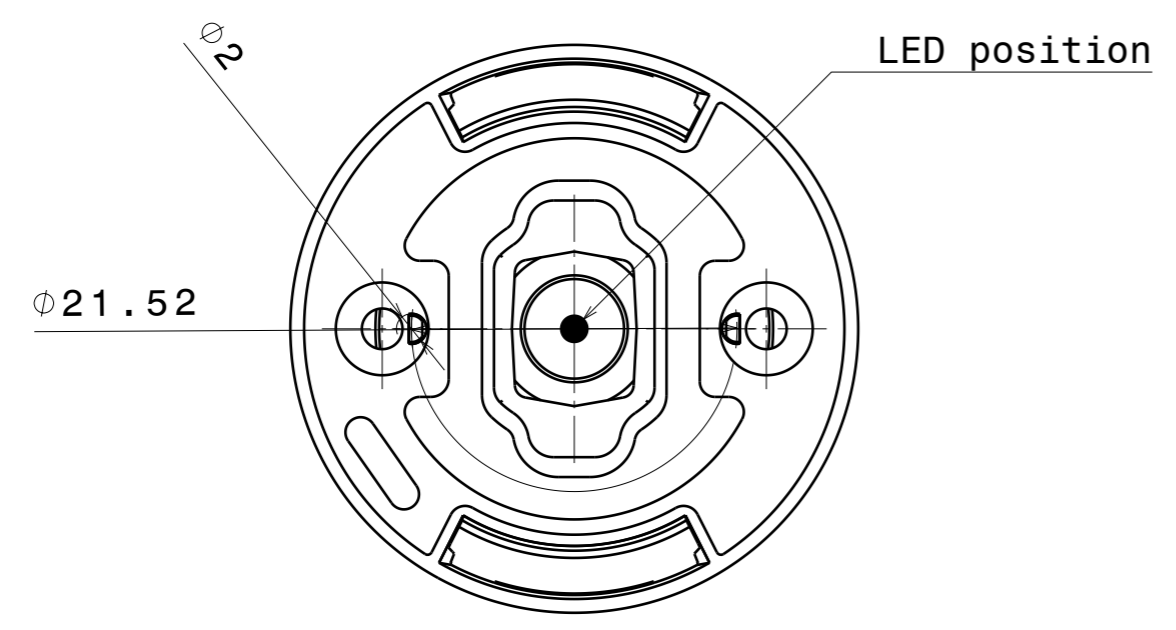
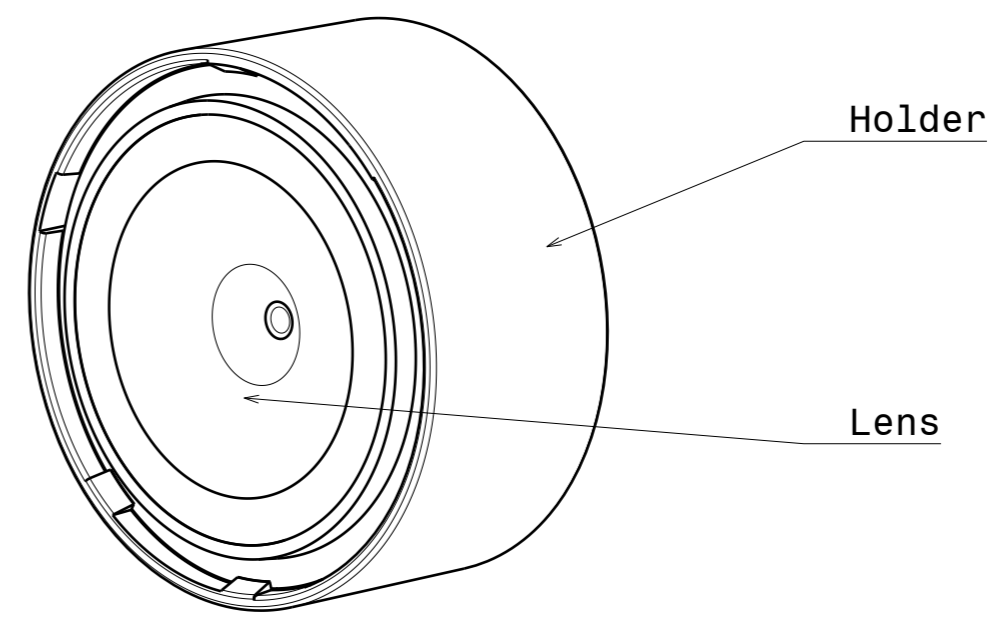
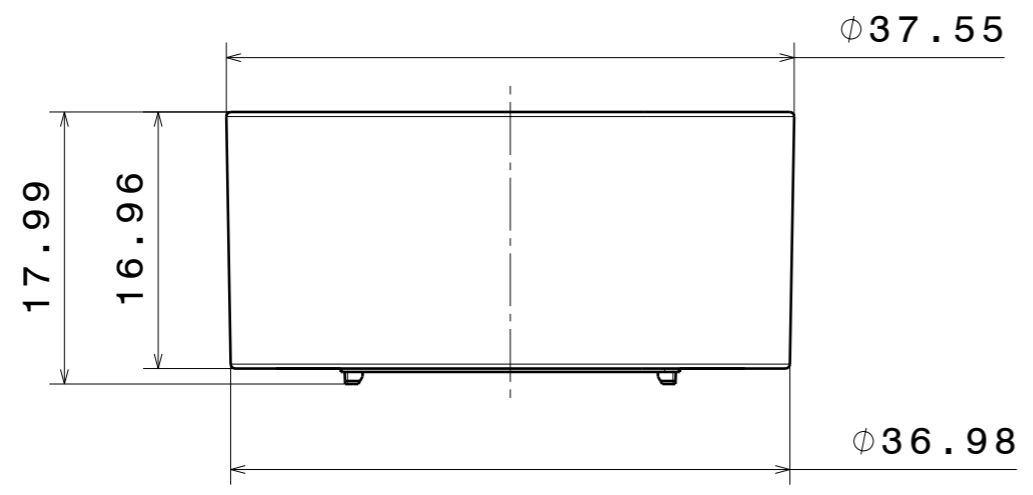
Product Number	CA14309_EVA-W
Family	Eva
Type	Assembly
Color	black
Diameter	37,7 mm
Height	17,2 mm
Style	round
Optic Material	PMMA
Holder Material	
Fastening	tape, pin
Status	production ready
ROHS Compliant	Yes
Date Updated	30/12/2016




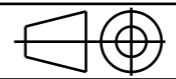
OPTICAL PROPERTIES

LED	Viewing Angle	Light Beam	Efficiency	cd/lm	Connector
LUXEON M/MX	45 deg		80 %	1.300	-
Z8Y22P	sim: 34		sim: 95 %	sim: 1.950	-

H G F E D C B A

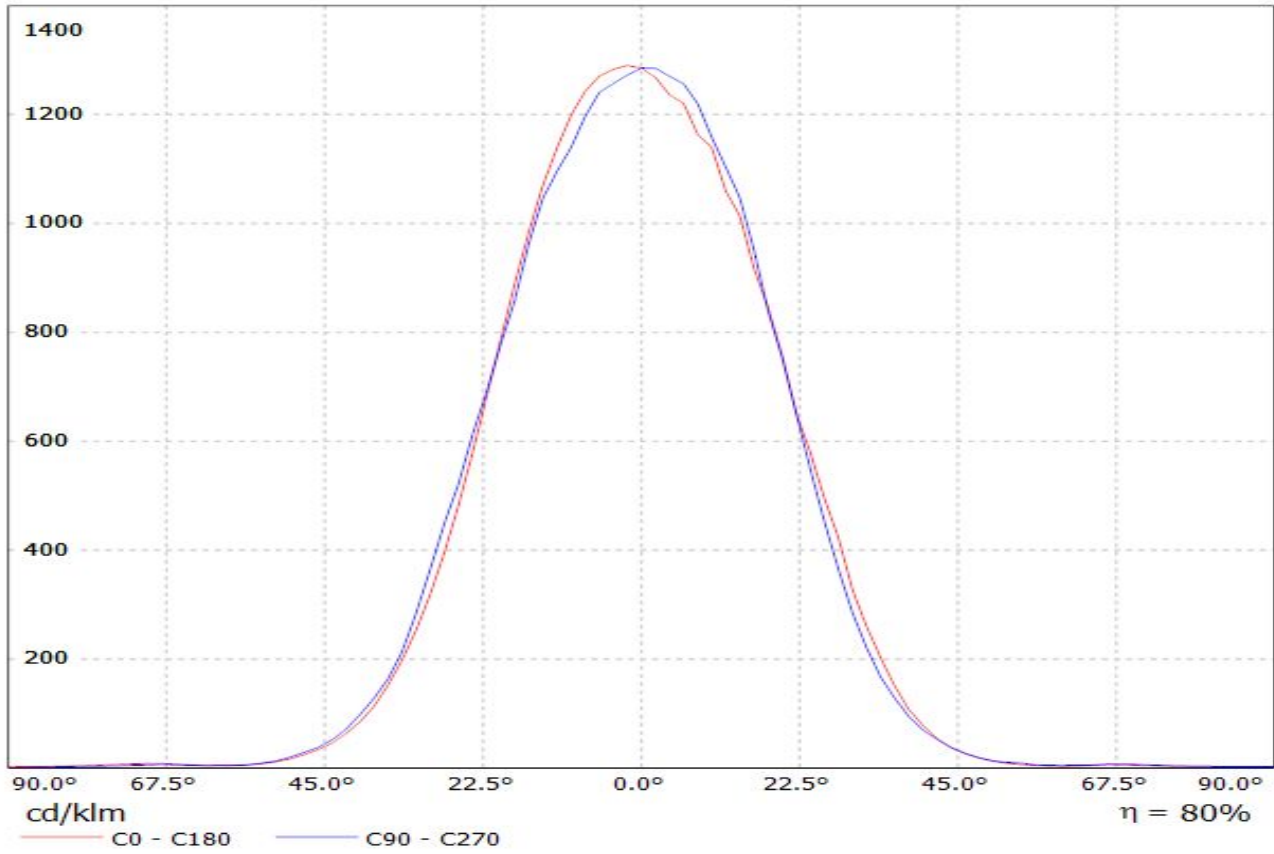


INDEX	PART NO	MATERIAL	COLOUR
1	Holder	PC	Black
2	Lens	PMMA	Clear
3	Tape	-	Black

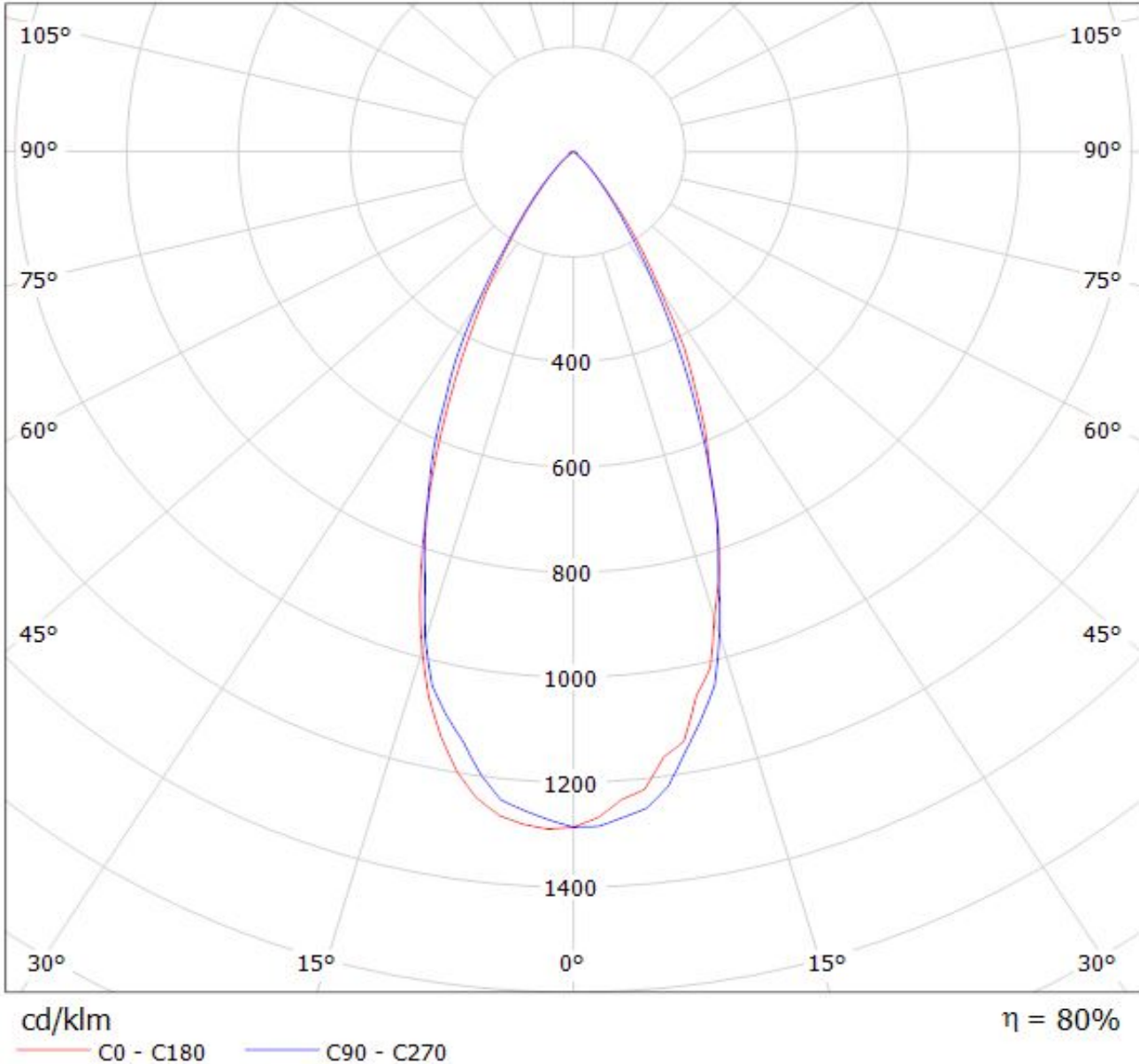
Tolerances if not otherwise shown According to DIN ISO 2768-1 Linear measures: class C According to DIN ISO 2768-2 Form and position: class L		 Ledil Oy Salorankatu 10 FIN 24240 SALO Finland	
THIRD ANGLE PROJECTION: 		DRAWING TITLE CA14309_EVA-W	
This drawing is the property of LEDiL Oy. It may not be reproduced, copied or communicated without a written agreement with LEDiL Oy.		SIZE A3	PART NUMBER CA14309
SCALE 2:1		WEIGHT -	SHEET 1/1

H G B A

Luminaire: Ledil CA14309_EVA-W (Luxeon M) Efficiency=80%
Lamps: 1 x Luxeon M (362lm @ 250mA)



Luminaire: Ledil CA14309_EVA-W (Luxeon M) Efficiency=80%
Lamps: 1 x Luxeon M (362lm @ 250mA)



NOTE: The typical divergence will be changed by different color, chip size and chip position tolerance. The typical total divergence is the full angle measured where the luminous intensity is half of the peak value.