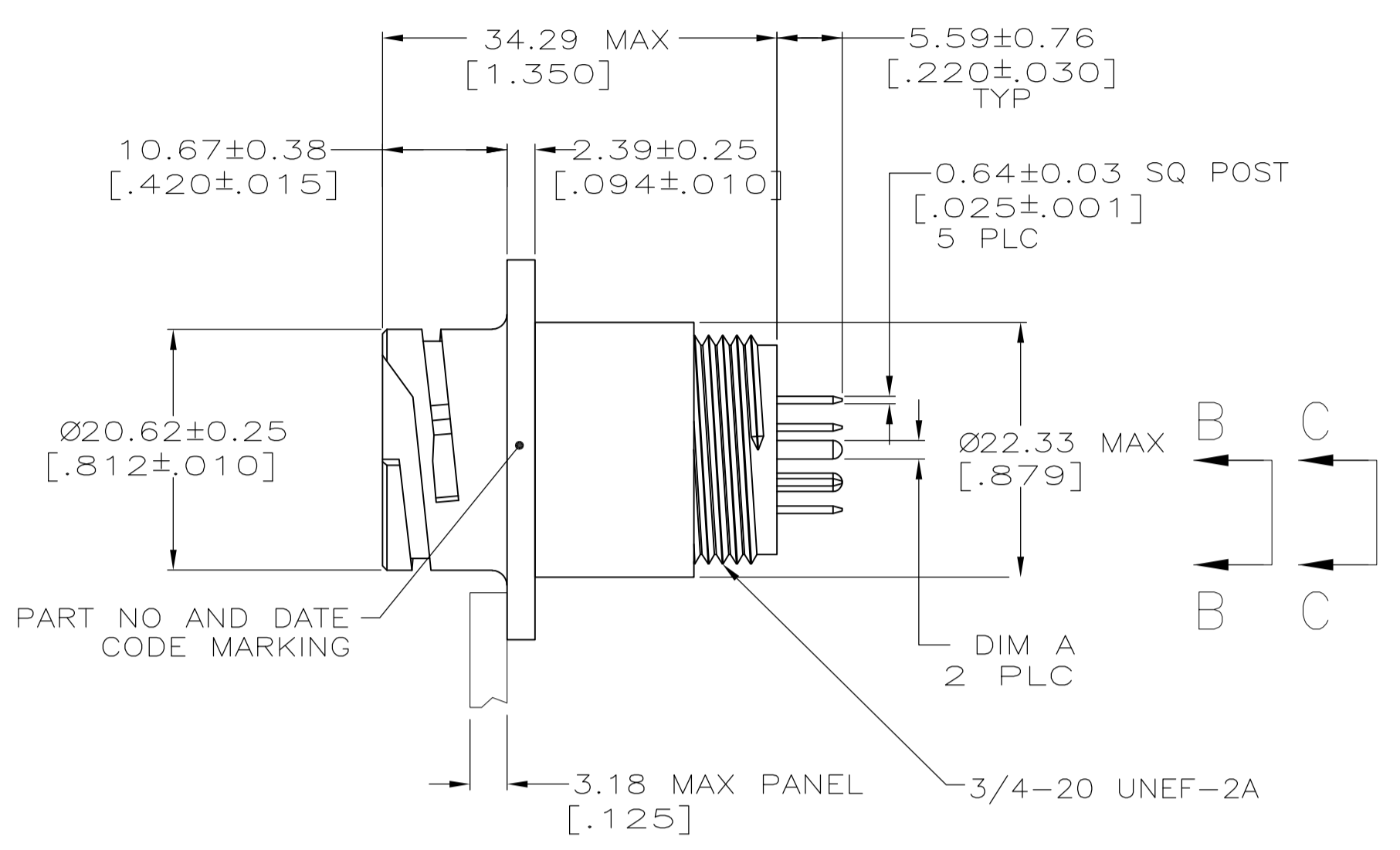
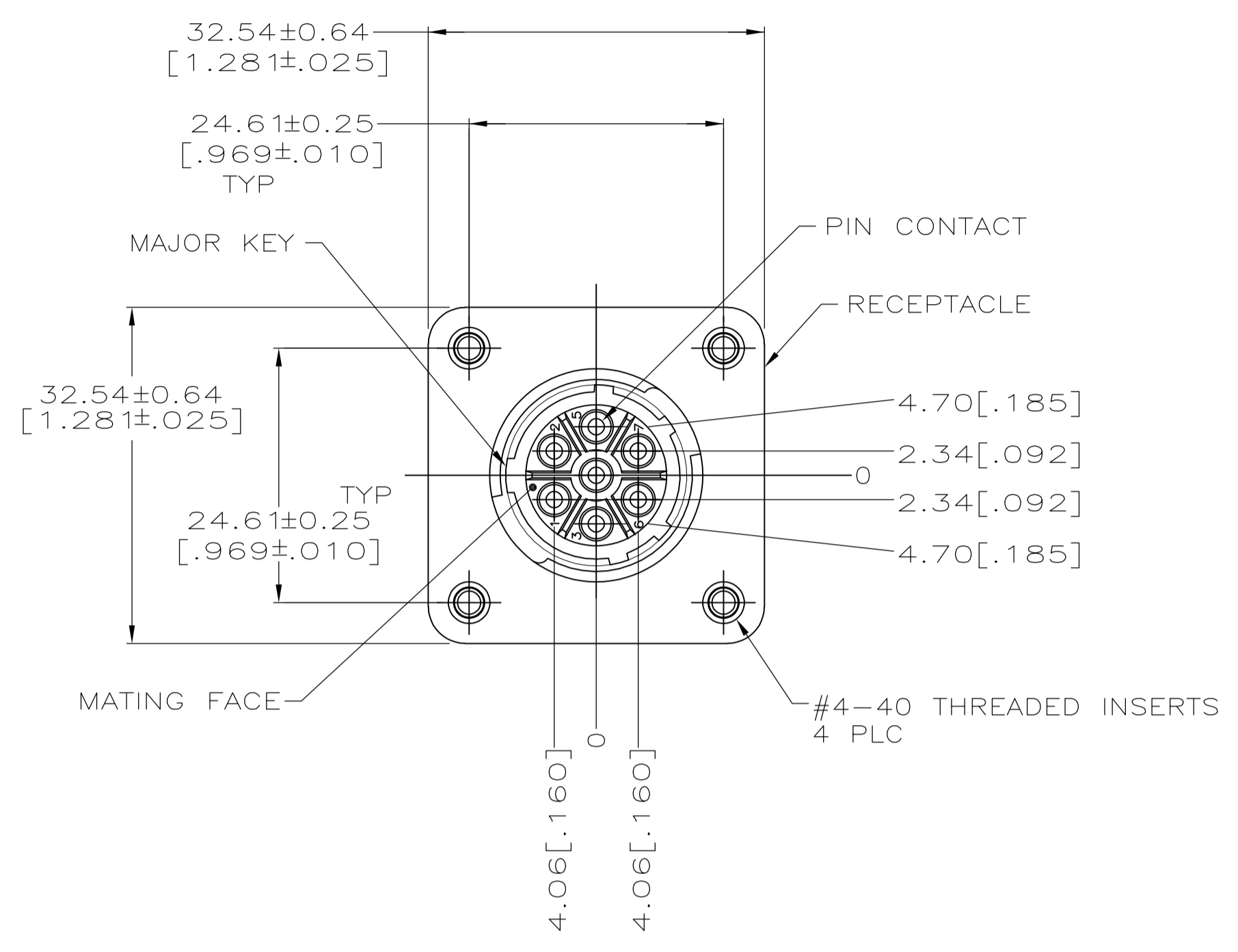
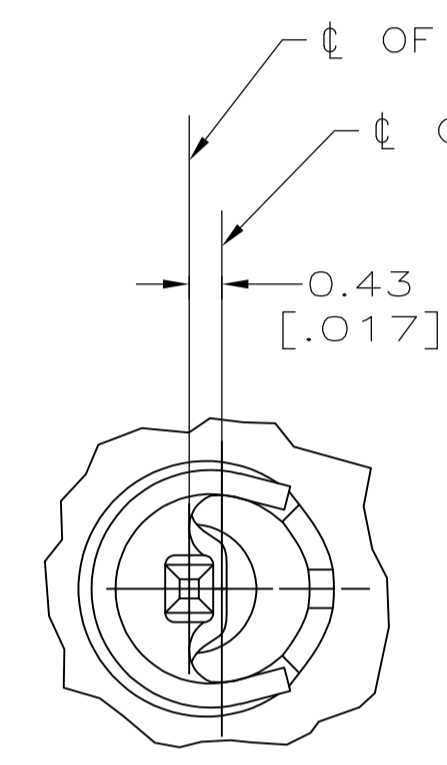


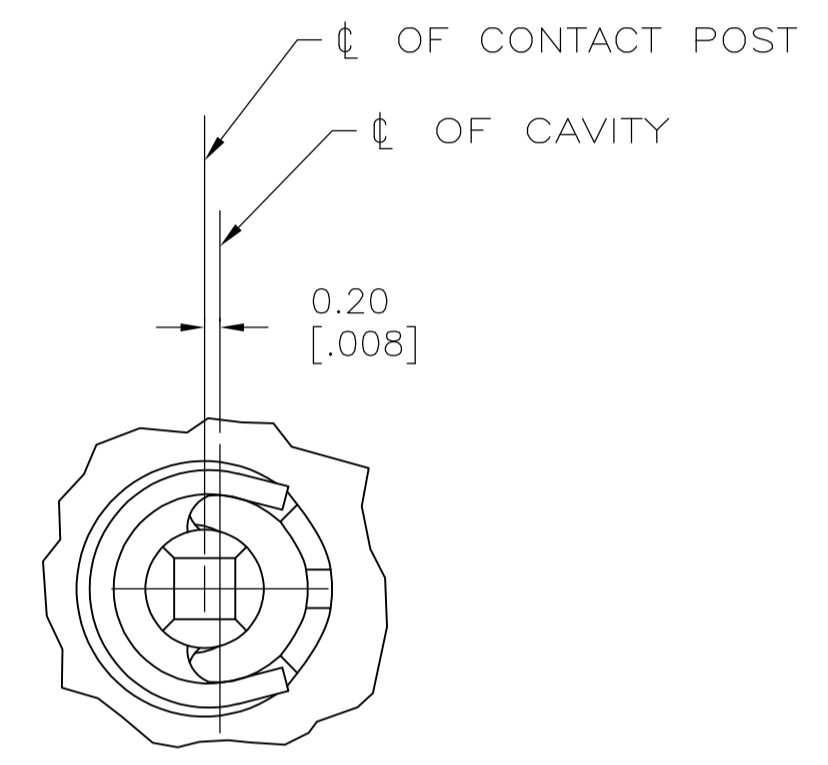
REVISIONS					
P	LTR	DESCRIPTION	DATE	DMN	APVD
C		REVISED PER ECO-06-25468	11/08/06	SS	SH
C1		REVISED PER ECO-09-022908	08OCT09	KK	AEG
D		REVISED PER ECO-16-018356	22MAR2017	RS	MZ



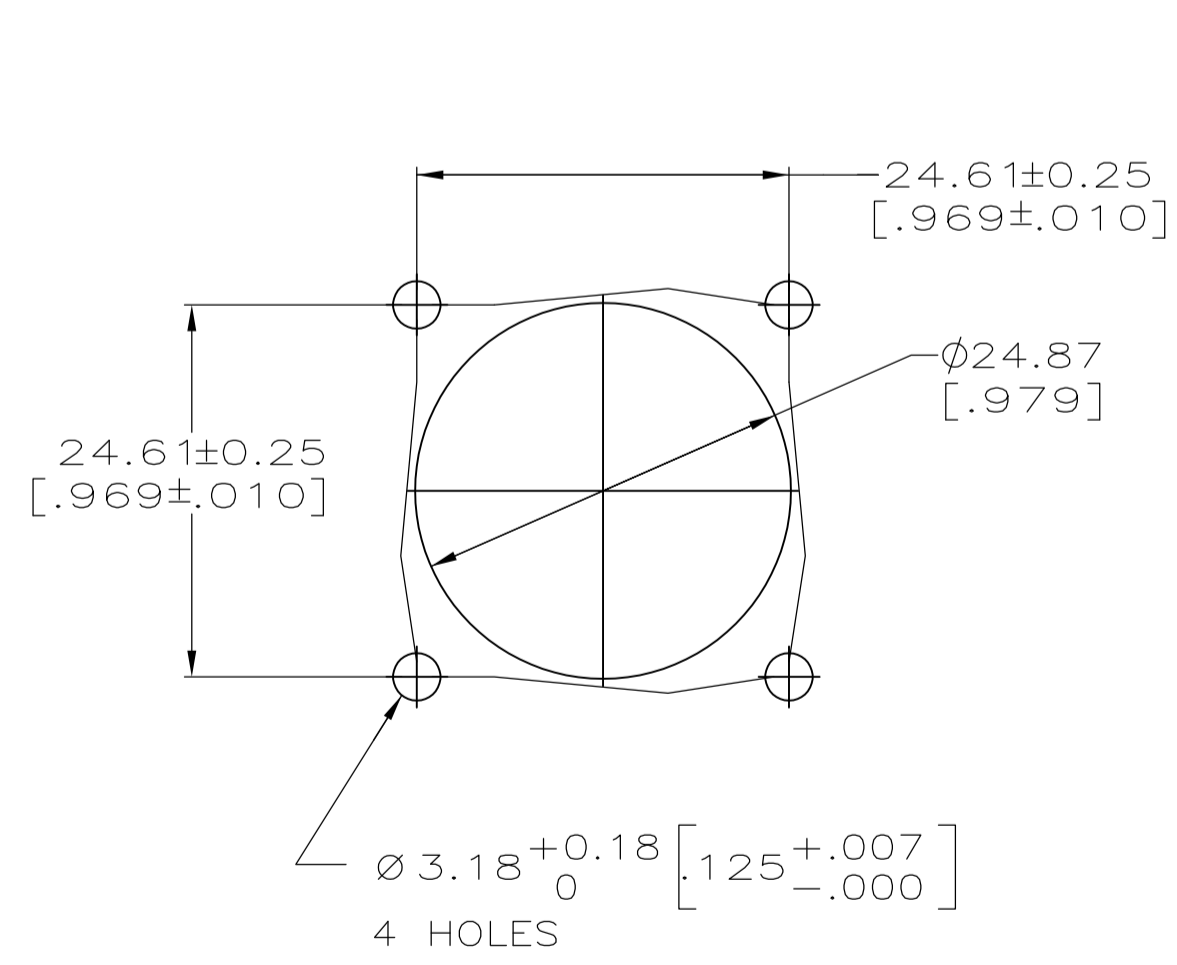
- CAVITY IDENTIFICATION ON FRONT AND REAR FACE.
- RECEPTACLE: NYLON, UL 94V-0 RATED, BLACK.
PIN CONTACT WITH 0.64[.025] SQ POST: BRASS.
PIN CONTACT WITH $\phi 1.57[.062]$ POST: COPPER ALLOY.
SPRING: STAINLESS STEEL.
INSERTS: BRASS.
- PIN CONTACT WITH SQ POST:
CONTACT: 0.76 μm [.000030] MIN GOLD FOR A DISTANCE OF 6.35[.250] FROM MATING END, ALL OVER 1.27 μm [.000050] MIN NICKEL.
POST: 2.54 μm [.000100] MIN TIN-LEAD OVER 1.27 μm [.000050] MIN NICKEL.
- PIN CONTACT WITH $\phi 1.57[.062]$ POST: 5.08 μm [.000200] MIN SILVER ALL OVER 1.27 μm [.000050] MIN NICKEL.
- PIN CONTACT WITH SQ POST:
CONTACT: 0.76 μm [.000030] MIN GOLD FOR A DISTANCE OF 6.35[.250] FROM MATING END, ALL OVER 1.27 μm [.000050] MIN NICKEL.
POST: 2.54 μm [.000100] MIN TIN OVER 1.27 μm [.000050] MIN NICKEL.
- OBsolete PARTS: OBsolete CIS STREAMLINING PER D.RENAUD/D.SINISI



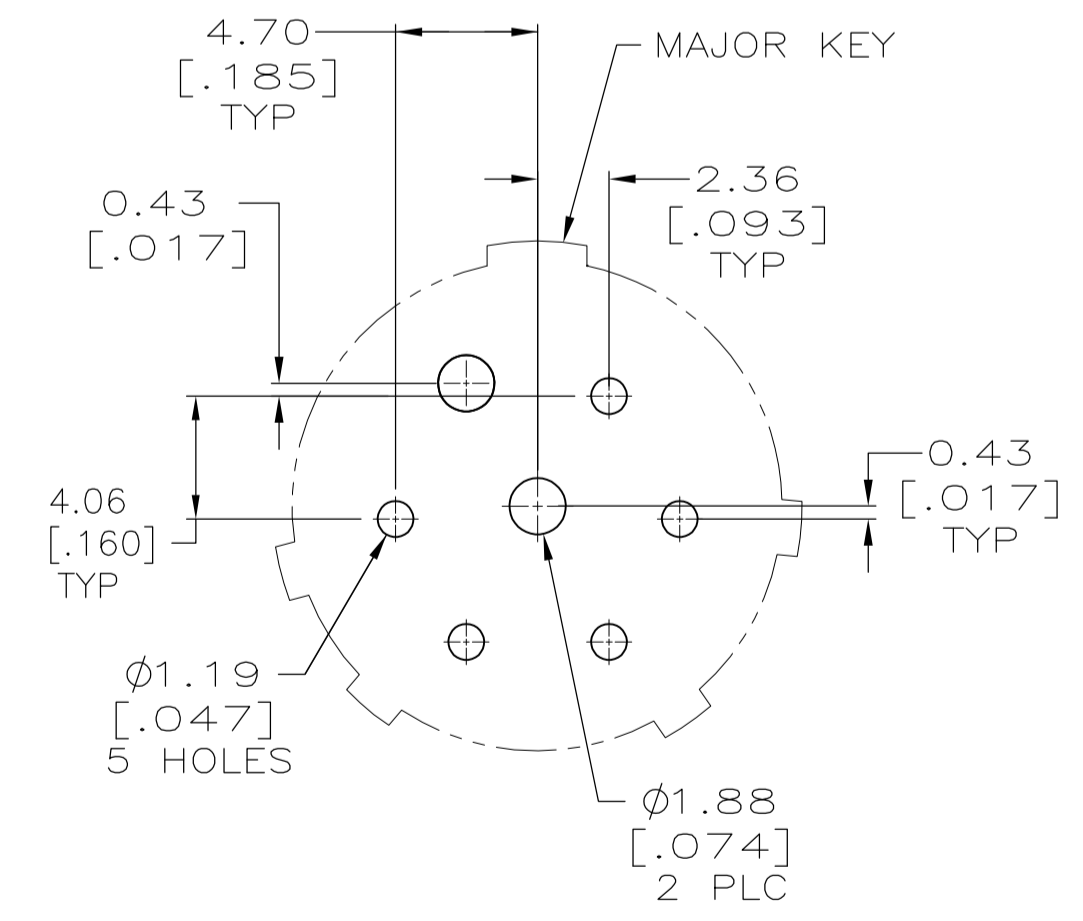
VIEW B-B
SCALE 10:1
5 PLC



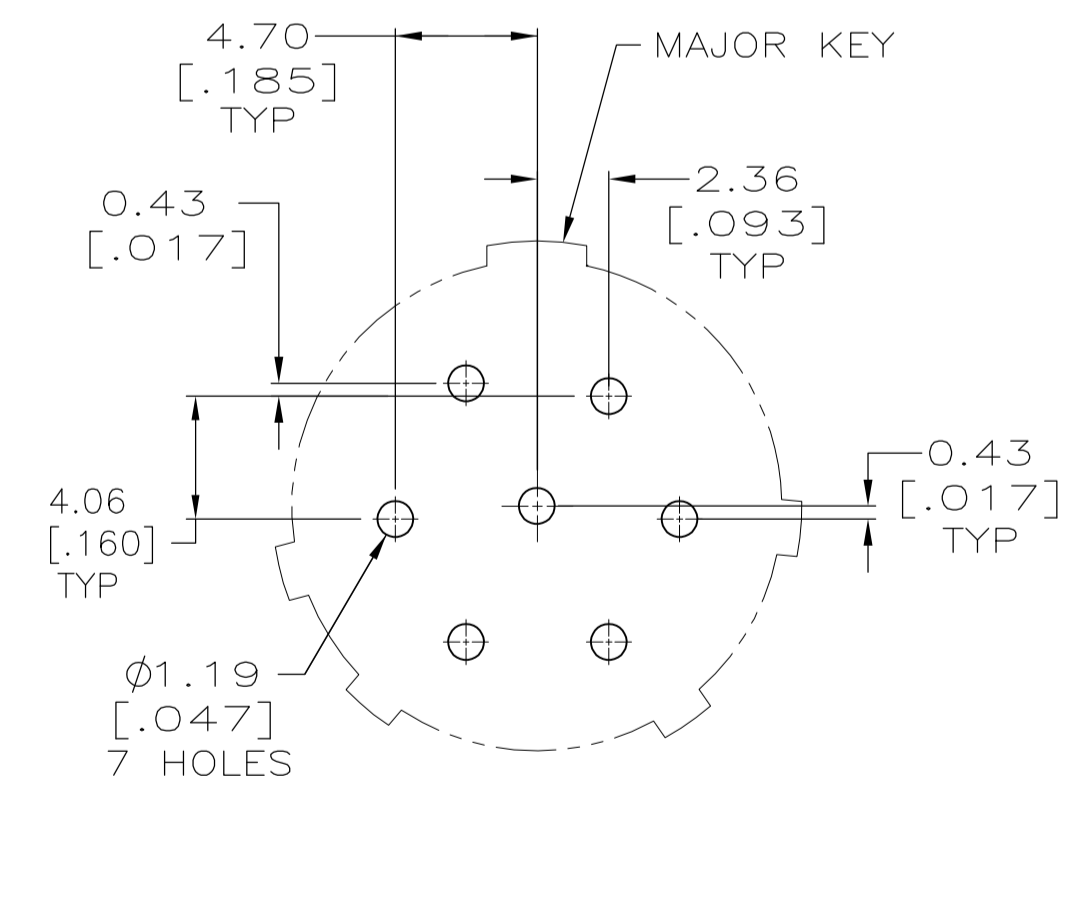
VIEW C-C
SCALE 10:1
2 PLC
788194-6 ONLY



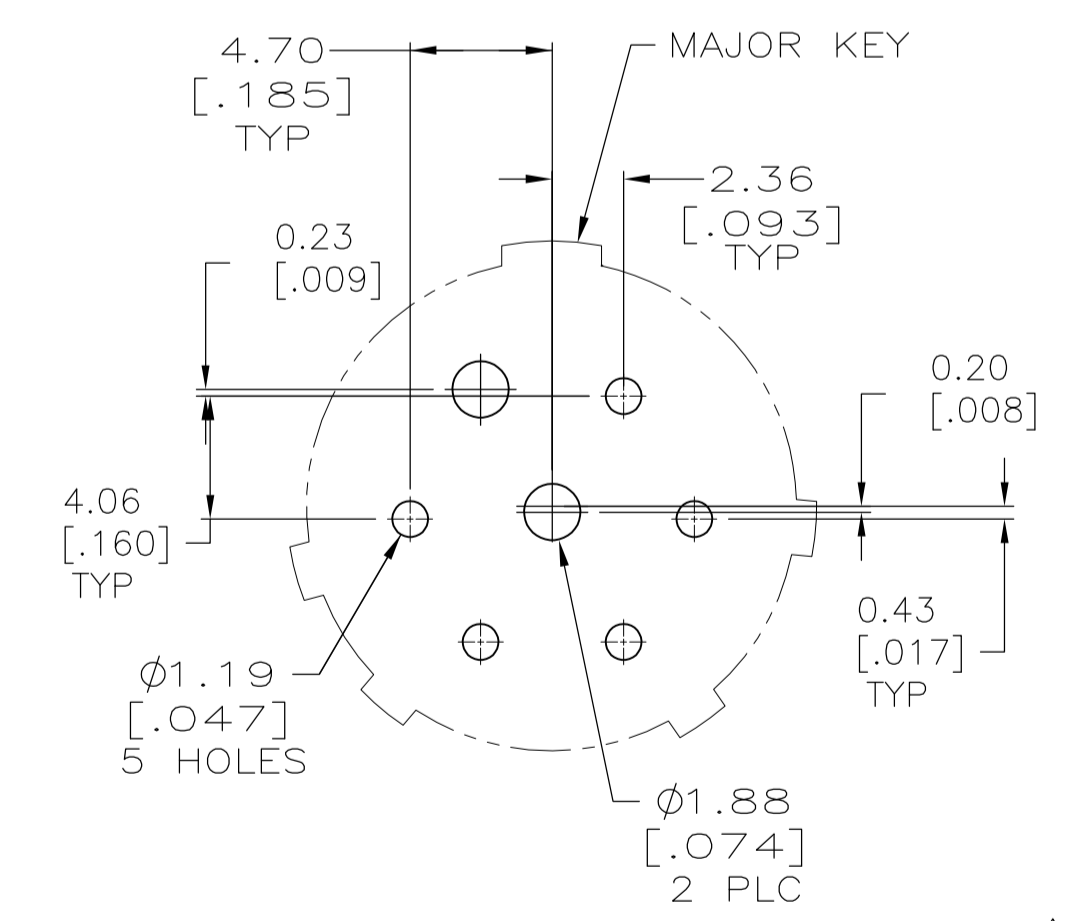
RECOMMENDED PANEL CUTOUT



RECOMMENDED BOARD LAYOUT
FOR 788194-1, -3 & -5
SCALE 4:1



RECOMMENDED BOARD LAYOUT
FOR 788194-2 & -4
SCALE 4:1



RECOMMENDED BOARD LAYOUT
FOR 788194-6 ONLY
SCALE 4:1

	.062 DIA.	$\triangle 2/5$	788194-6
OBsolete	.045 SQ	$\triangle 2/5$	788194-5
OBsolete	.025 DIA.	$\triangle 2/5$	788194-4
	.062 DIA.	$\triangle 2/4/5$	788194-3
OBsolete	.025 SQ	$\triangle 2/3$	788194-2
OBsolete	.062 DIA.	$\triangle 2/3/4$	788194-1
	DIM A	PIN CONTACT	PART NUMBER

THIS DRAWING IS A CONTROLLED DOCUMENT.

DIMENSIONS: mm [INCHES]	TOLERANCES UNLESS OTHERWISE SPECIFIED:	DIN K. WHITAKER 28-MAR-2000	TE Connectivity
ϕ	0 PLC ± -	CHK M. CHACKO 28-MAR-2000	NAME
\square	1 PLC ± -	APVD M. CHACKO 28-MAR-2000	PRODUCT SPEC
\square	2 PLC ± 0.13[.005]		108-10024
\square	3 PLC ± -		APPLICATION SPEC
\square	4 PLC ± -		114-10038
\square	ANGLES ± -		SIZE CAGE CODE DRAWING NO
MATERIAL	FINISH	WEIGHT	A1 00779C=788194
$\triangle 2$			RESTRICTED TO
			CUSTOMER DRAWING SCALE 2:1 SHEET 1 of 1 REV D