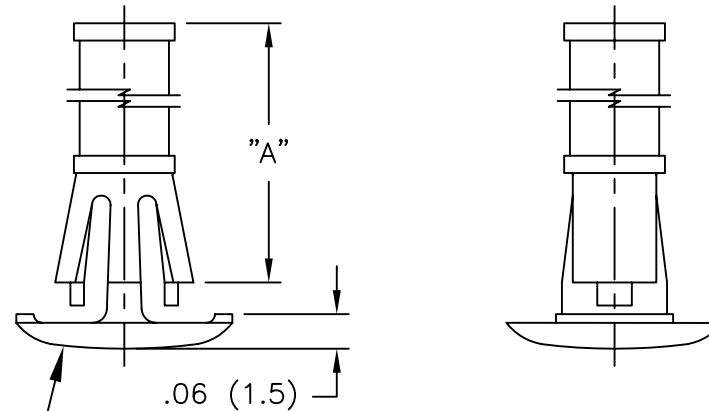
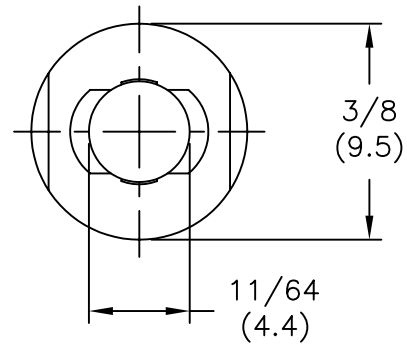


PART NO.	DIM "A" ±.015 (±0.4)
RLCBSRS-4-01	1/4 (6.4)
RLCBSRS-5-01	5/16 (7.9)
RLCBSRS-6-01	3/8 (9.5)
RLCBSRS-7-01	7/16 (11.1)
RLCBSRS-8-01	1/2 (12.7)
RLCBSRS-9-01	9/16 (14.3)
RLCBSRS-10-01	5/8 (15.9)



TO SNAP-LOCK IN A  $.187 \pm .003$   
 $(4.75 \pm 0.08)$  DIA. HOLE, IN A  
 $.059 (1.50)$  TO  $.063 (1.60)$   
 THICK PANEL/CHASSIS

NOTES:

- MATERIAL: NYLON 6/6 (RMS-01).  
FLAME RETARDANT: NYLON (RMS-19).
- COLOR: NATURAL.

D		SM 05.04.01		TITLE: REVERSE LOCKING SKT. BD. SUPPORT, ROUND HOLE STANDOFF			DWG IN IN (MM)		FINAL	
C		J.L. 11.25.97		FILE # RLCBSRS			DWN: P.B.		APP:	
B		PB 05.23.95		MAT'L: SEE NOTES			DT: 05-23-95		DT:	
A		RT 05.15.92		RE: RICHCO, INC.			RICHCO INC.		PART #	
REV		ENGR DATE		TOLERANCES UNLESS NOTED .XX=±.010 .XXX=±.005 FRAC=±1/64 ANG=±1°			PO BOX 804238, CHICAGO, 60680 (773) 539-4060		SEE TABLE	
									PRINT TYPE CA	