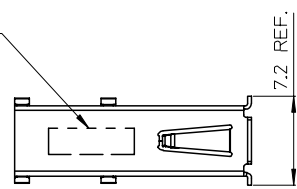
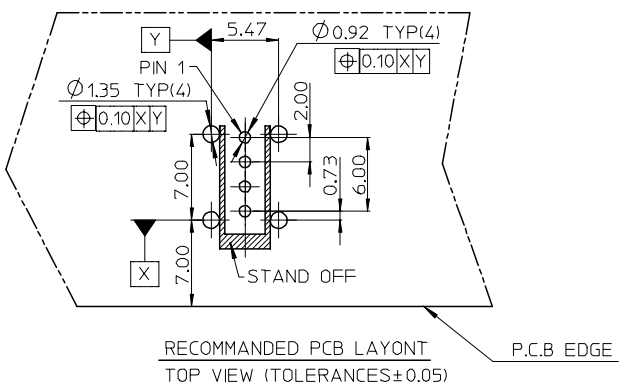
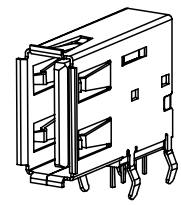
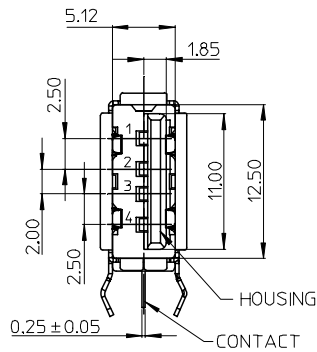
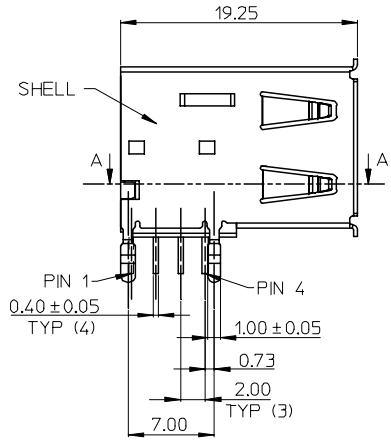
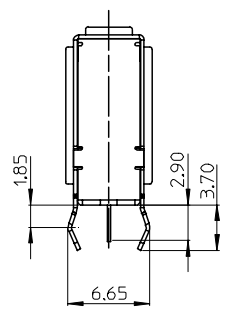


MOLEX LOGO AND DATE CODE



NOTES:

- 1.MATERIAL:  
SHELL: BRASS  
REAR SHIELD: SPCC  
HOUSING:THERMOPLASTIC POLYESTER, GLASS FIBER FILLED, UL94V-0, COLOR BLACK.  
CONTACT: PHOSPHOR BRONZE
- 2.PLATING:  
TERMINAL:  
CONTACT AREA:GOLD(Au), THICKNESS=30 MICROINCH MINIMUM.  
SOLDER TAIL:TIN (Sn), ALLOY,THICKNESS=120 MICROINCH MINIMUM.  
UNDER PLATED:NICKEL(Ni).
- METAL SHELL:  
NICKEL(Ni),THICKNESS=120 MICROINCH MINIMUM.  
UNDER PLATE: COPPER(Cu).
- 3.RECOMMENDED PCB THICKNESS:1.60mm±0.05mm
- 4.PRODUCT SPECIFICATION: PS-48204-001
- 5.PACKAGE: PK-48204-001
- 6.TEST SUMMARY: TS-48204-001



NEW RELEASE EC NO: SH2005-0330 DRWN:ALLIN CHKD: APPR:WMSCHANG 2005/07/21 2005/07/21 2005/07/21	DESCRIPTION REV	QUALITY SYMBOLS	GENERAL TOLERANCES (UNLESS SPECIFIED)	DIMENSION STYLE	SCALE	DESIGN UNITS	THIRD ANGLE PROJECTION
		▽=0 ∇=0	MM ONLY	1:1	METRIC	◎ □	
			mm INCH	DRAWN BY DATE	TITLE		
			4 PLACES ± --- ± --- 3 PLACES ± --- ± --- 2 PLACES ± 0.25 ± --- 1 PLACE ± 0.25 ± --- ANGULAR ± 3 °	COLIN DUAN 2005/01/25 ALLEN LIN 2005/01/25 WILSON CHANG 2005/01/25	USB A TYPE UP-RIGHT REVERSE CONNECTOR (LEAD FREE VERSION)		
	DRAFT WHERE APPLICABLE MUST REMAIN WITHIN DIMENSIONS	MATERIAL NO.	DOCUMENT NO.	SHEET NO.			
		48204-0001	SD-48204-001	1 OF 1			
THIS DRAWING CONTAINS INFORMATION THAT IS PROPRIETARY TO MOLEX INCORPORATED AND SHOULD NOT BE USED WITHOUT WRITTEN PERMISSION							