

H MICRO SWITCH
 FREEPORT, ILLINOIS, U.S.A.
 A DIVISION OF HONEYWELL

SWITCH-BASIC

★ **V 3-1**

CK-A0100

5

FED. MFG. CODE 91929

V 3-1

M

DRAWING NUMBER

ISSUE
 18 MAY 65
 18 MAY 65

REVISIONS

CO 20189
 M B F
 MAY 65

CO 21688
 B F
 OCT 66

CO 24941
 B S
 DEC 68

CO 26075
 A B S
 AUG 69

CO 31509
 D A W
 JAN 73

CO 32395
 GLH
 AUG 73

CO 56987
 SMA
 OCT 85

CO 74634
 R D R
 MAY 93

REPLACES

RELEASE NO.

18 MAY 65

18 MAY 65

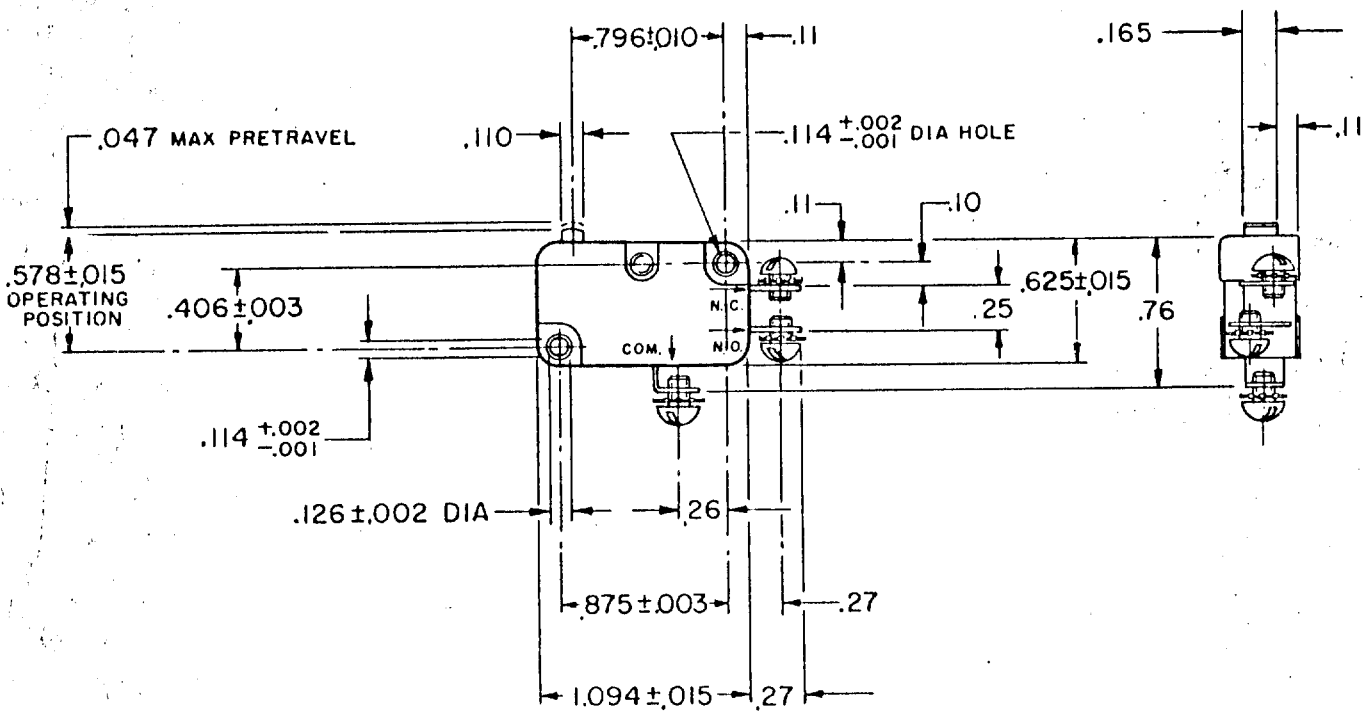
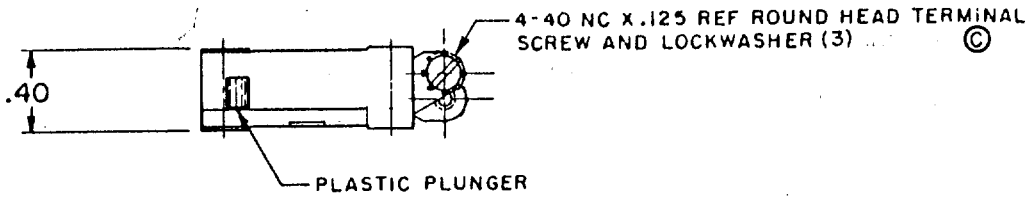
18 MAY 65

18 MAY 65

18 MAY 65

18 MAY 65

18 MAY 65



THIS DRAWING COVERS A PROPRIETARY ITEM AND IS THE PROPERTY OF MICRO SWITCH, A DIVISION OF HONEYWELL. THIS DRAWING IS NOT TO BE COPIED OR USED WITHOUT THE APPROVAL OF MICRO SWITCH.

CHARACTERISTICS	
OPERATING FORCE	6-14 OZ
RELEASE FORCE	4 OZ MIN
DIFFERENTIAL TRAVEL	.006 - .016
OVERTRAVEL	.040 MIN
FREE POSITION	.625 MAX
RELEASE TRAVEL	.007 MIN

ELECTRICAL DATA	
CONTACT ARRANGEMENT S P D T	
L83 15.1A 1/2HP 125 OR 250 VAC 1/2A 125 VDC, 1/4A 250 VDC 5A 125 VAC "L"	

SCALE FULL	
DO NOT SCALE PRINT	
UNLESS OTHERWISE NOTED	
DIMENSIONS ARE IN INCHES	
TOLERANCES ARE:	
ONE PLACE (.0)	±.030
TWO PLACE (.00)	±.015
THREE PLACE (.000)	±.005
ANGLES	±
WEIGHT .017 LB	

FC-50378

DRAWN

6 MAY 65

6 MAY 65