

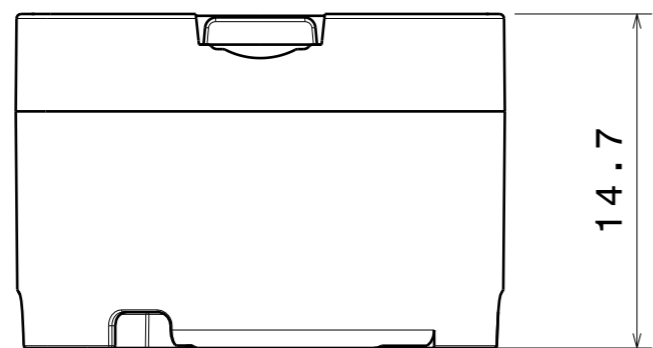
DETAILS

Product Number	CP11634_LXP3-O-90
Family	Leila
Type	Assembly
Color	white
Diameter	21,6 mm
Height	14,7 mm
Style	round
Optic Material	PMMA
Holder Material	
Fastening	glue
Status	production ready
ROHS Compliant	Yes
Date Updated	10/04/2014

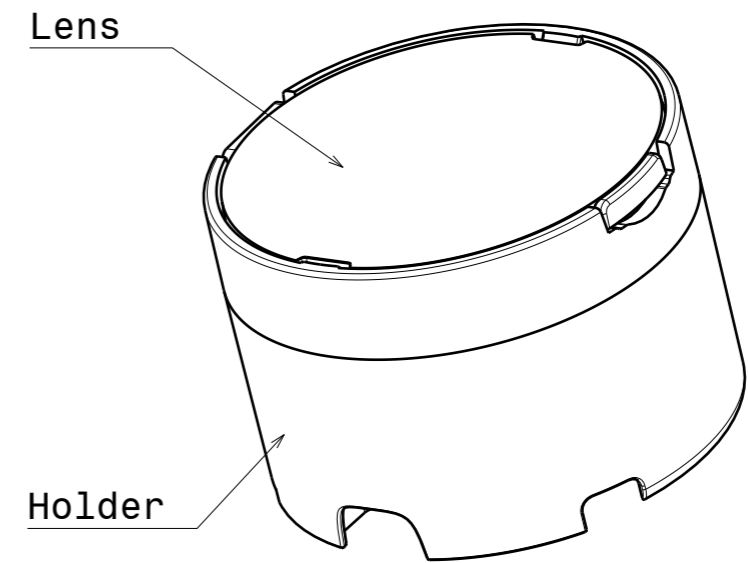


OPTICAL PROPERTIES

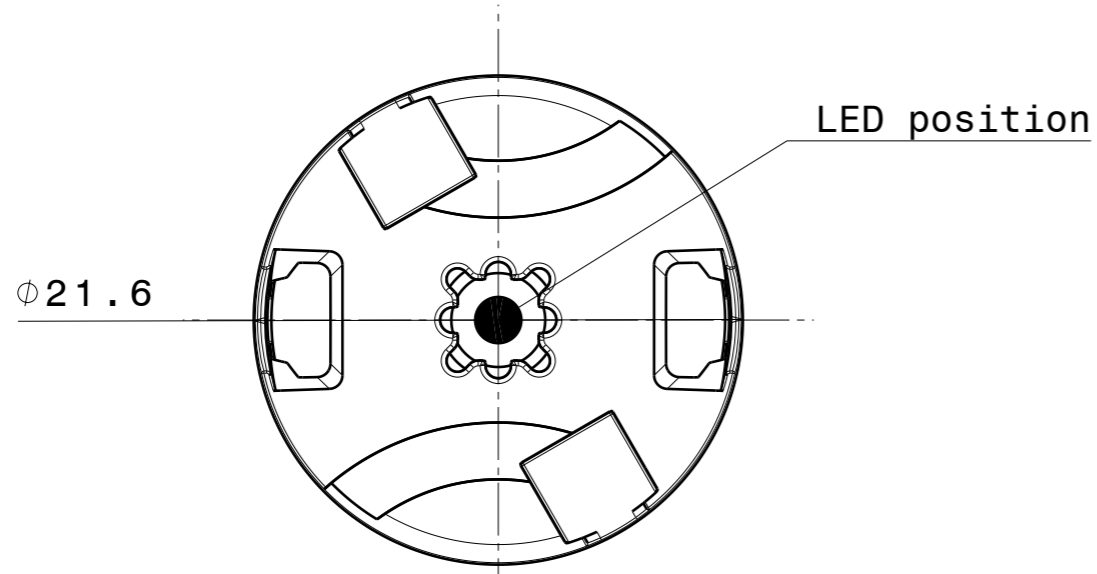
LED	Viewing Angle	Light Beam	Efficiency	cd/lm	Connector
XP-G	12+40 deg	O-90	93 %	4.600	-
XP-E	9+41 deg	O-90	93 %	5.800	-
XT-E	13+41 deg	O-90	91 %	4.050	-
XP-G2	12+40 deg	O-90	91 %	4.400	-
XP-E2	10+42 deg	O-90	-	6.200	-
XP-L HI	12+44 deg	O-90	90 %	4.000	-
Z5	sim: 10+34	O-90	sim: 84 %	-	-



Front view
Scale: 3:1


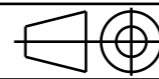


Isometric view
Scale: 3:1

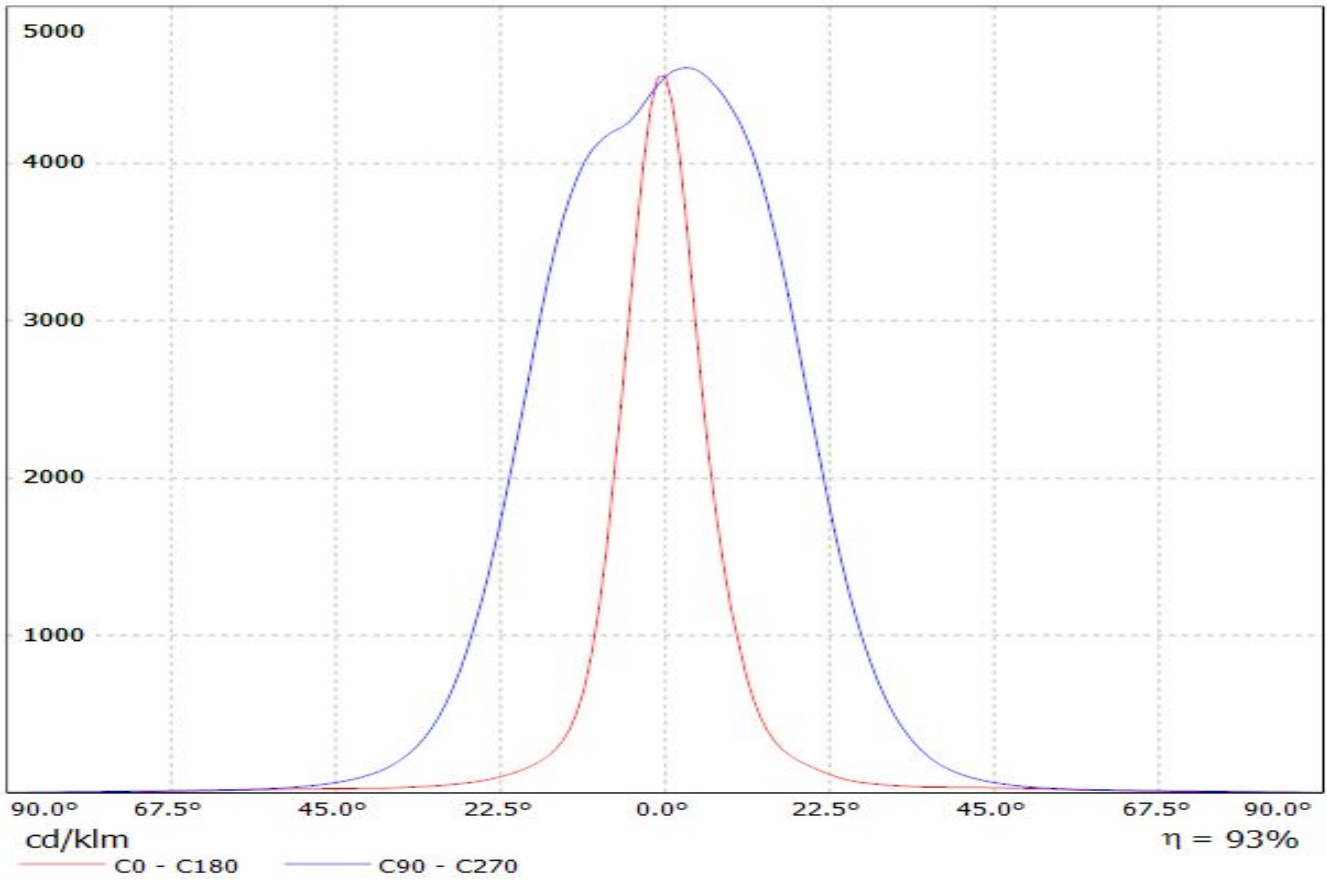


Bottom view
Scale: 3:1

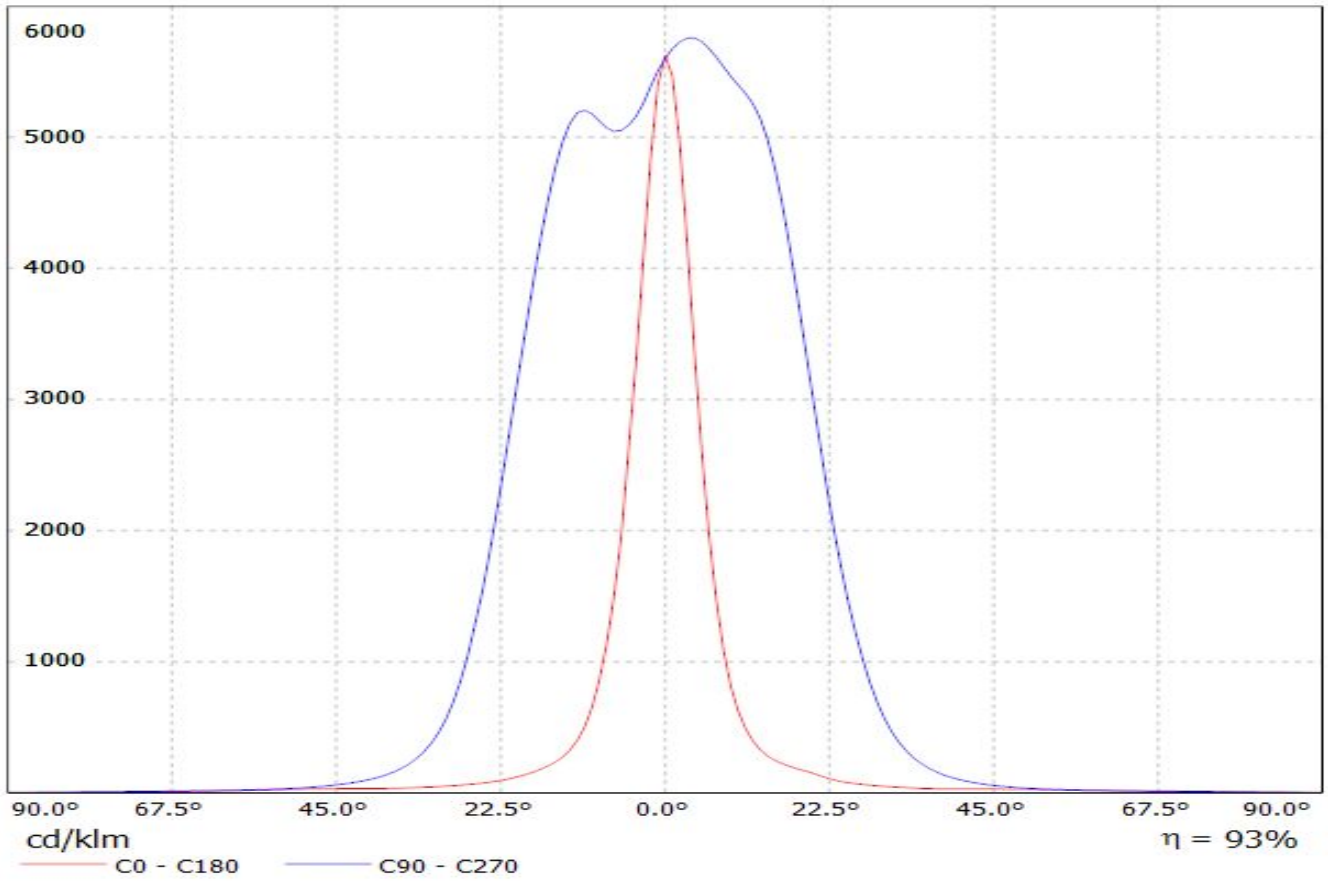
INDEX	PART NO	MATERIAL	COLOUR
1	Lens	PMMA 8N	
2	Holder	PC Makrolon 2407	white

Tolerances if not otherwise shown According to DIN ISO 2768-1 Linear measures: Up to 30mm class M, otherwise class C. According to DIN ISO 2768-2 Form and position: class L		 Ledil Oy Salorankatu 10 FIN 24240 SALO Finland	
THIRD ANGLE PROJECTION: 		DRAWING TITLE Datasheet_LXP3-Series	
This drawing is the property of LEDiL Oy. It may not be reproduced, copied or communicated without a written agreement with LEDiL Oy.		SIZE A3	PART NUMBER Datasheet
		SCALE 3:1	WEIGHT 7,49 g
		SHEET 1/1	

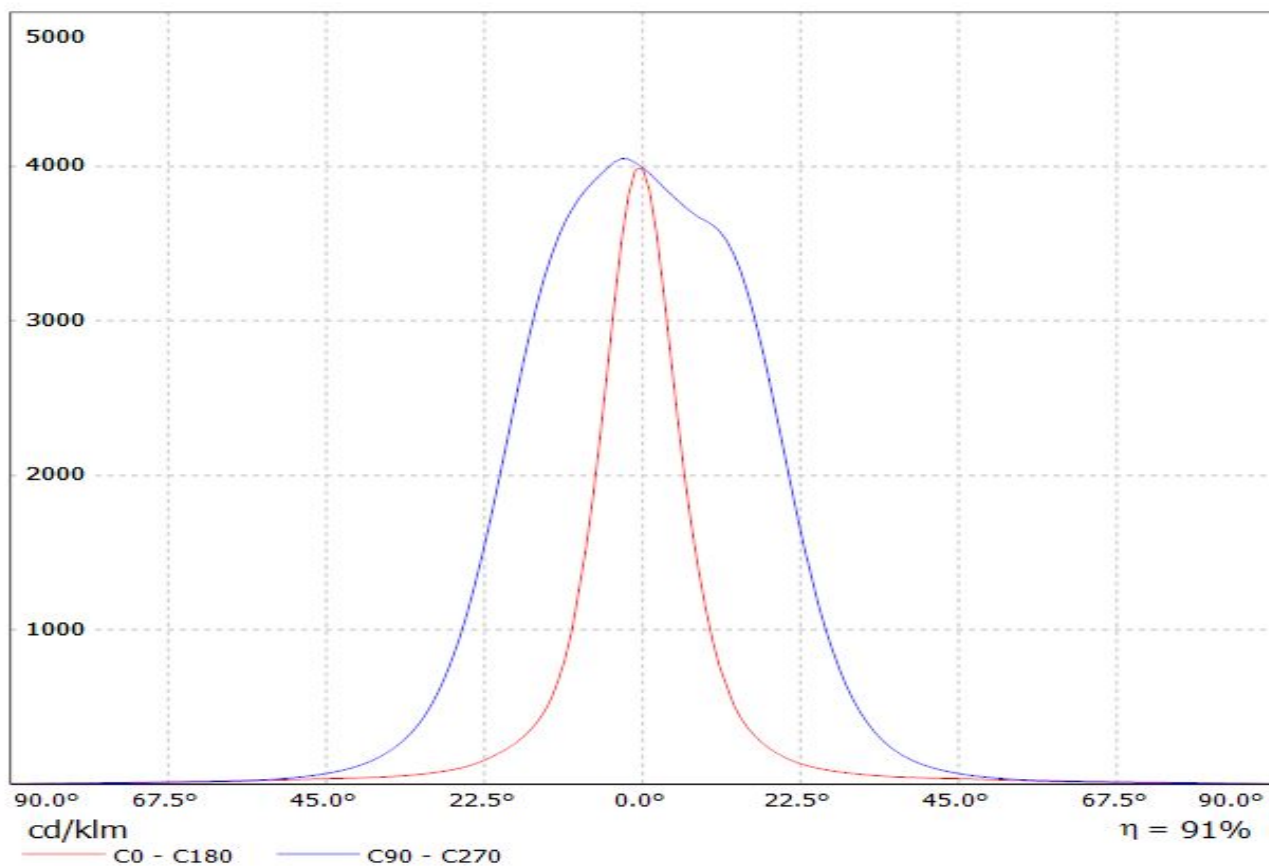
Luminaire: LEDiL Oy CP11634_LXP3-O-90_(XP-G) Eff. 93%
Lamps: 1 x Cree XP-G (66lm@250mA) CCT=warm white P=0.8W I=250mA



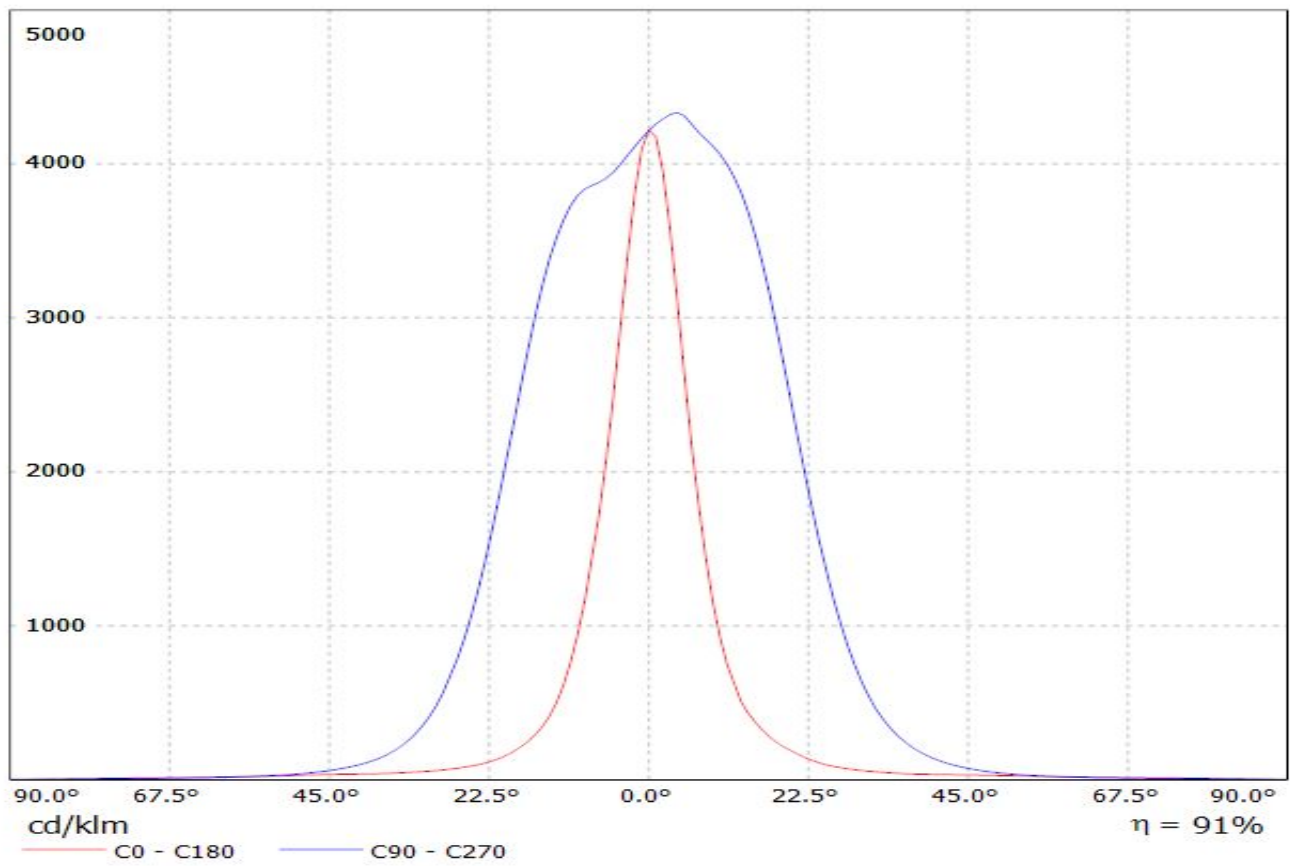
Luminaire: LEDiL Oy CP11634_LXP3-O-90_(XP-E) Eff. 93%
Lamps: 1 x Cree XP-E (50,4lm@250mA) CCT=warm white P=0.8W I=250mA



Luminaire: LEDiL Oy CP11634_LXP3-O-90_(XT-E) Eff. 91%
Lamps: 1 x XT-E (106,1lm@250mA) CCT=Cool white P=0.8W I=250mA



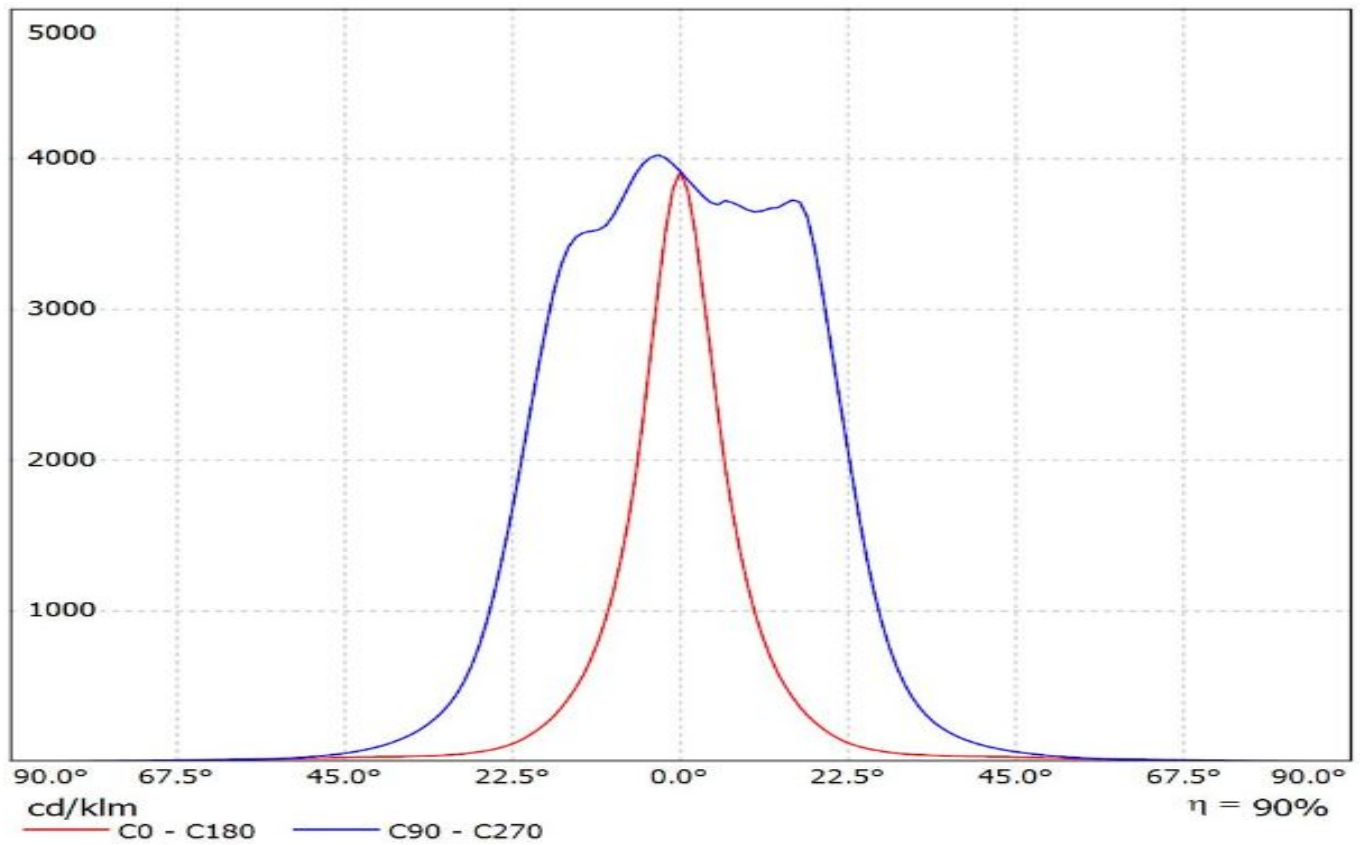
Luminaire: LEDiL Oy CA11484_LXP2-O-90_(XP-G2) Eff. 91%
Lamps: 1 x CREE XP-G2 (XPGBWTL1-0000-00G51) 103.363lm@250mA CCT=5000K P=0.8W I=250mA



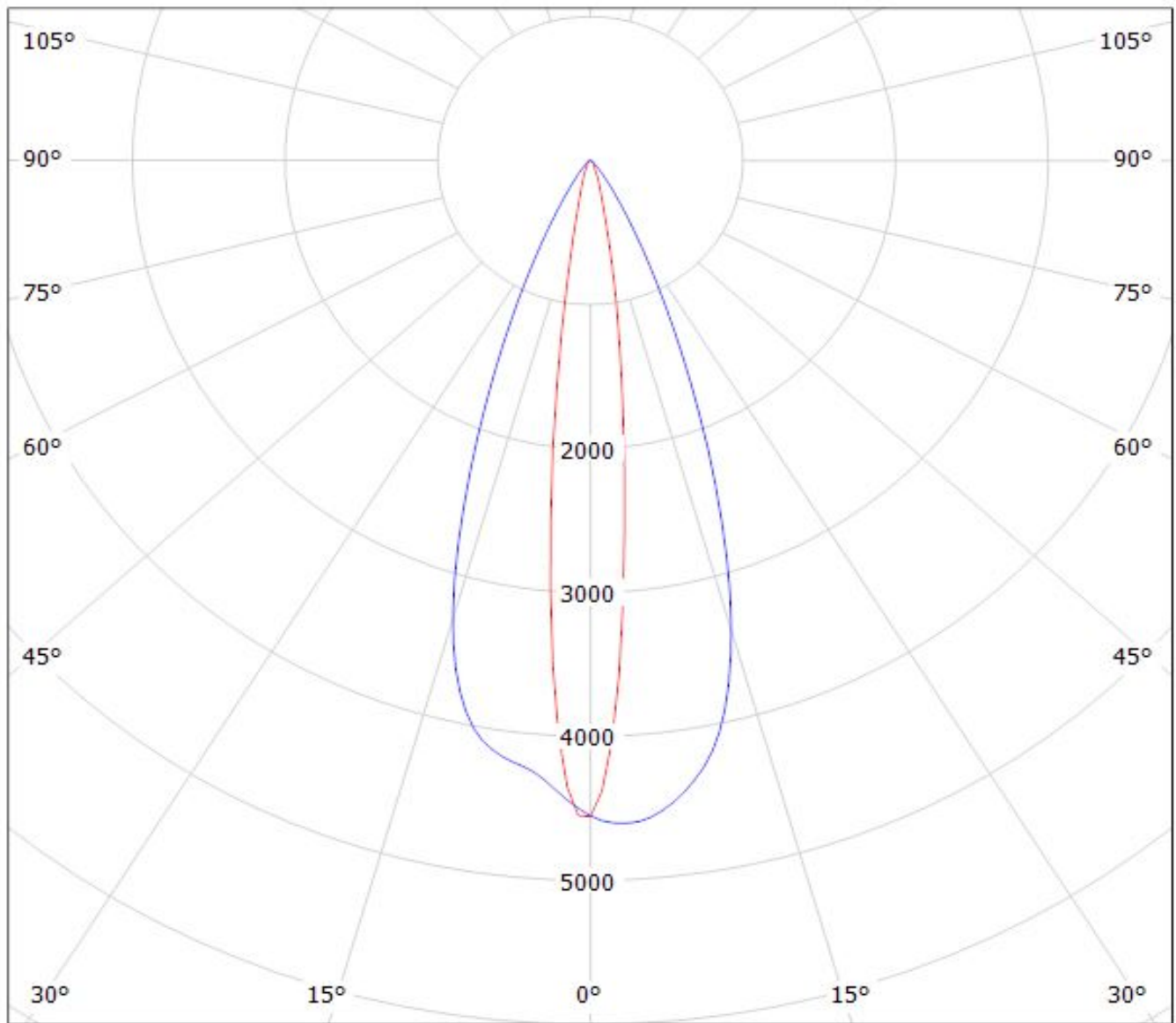
Ledil CP11634_LXP3-O-90_(XP-L_HI) / LDC (Linear)

Luminaire: Ledil CP11634_LXP3-O-90_(XP-L_HI)

Lamps: 1 x CREE_XP-L_HI_116.971lm@250mA_P=0.75W_I=0.25A



Luminaire: LEDiL Oy CP11634_LXP3-O-90 (XP-G) Eff. 93%
Lamps: 1 x Cree XP-G (66lm@250mA) CCT=warm white P=0.8W I=250mA

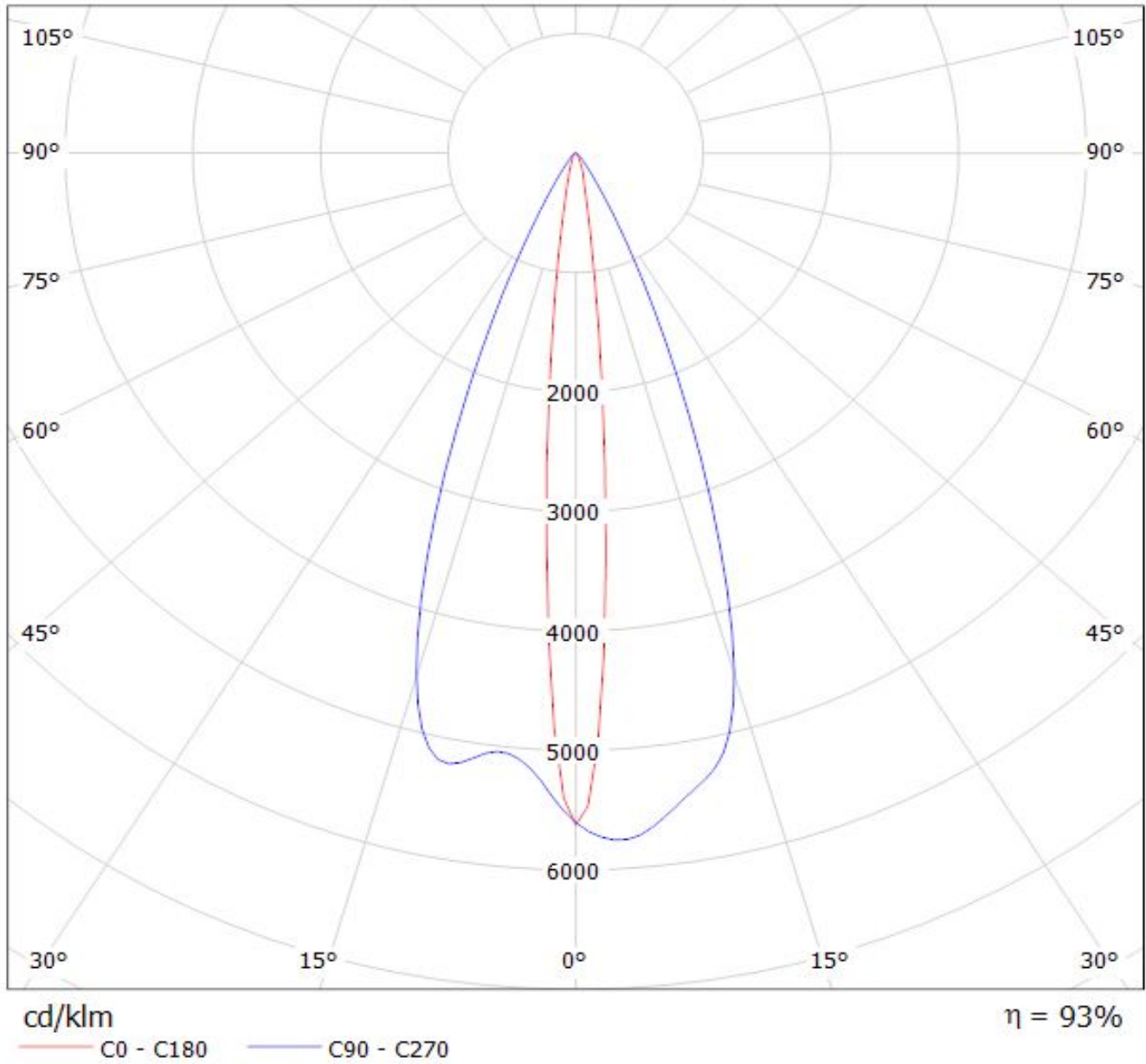


cd/klm

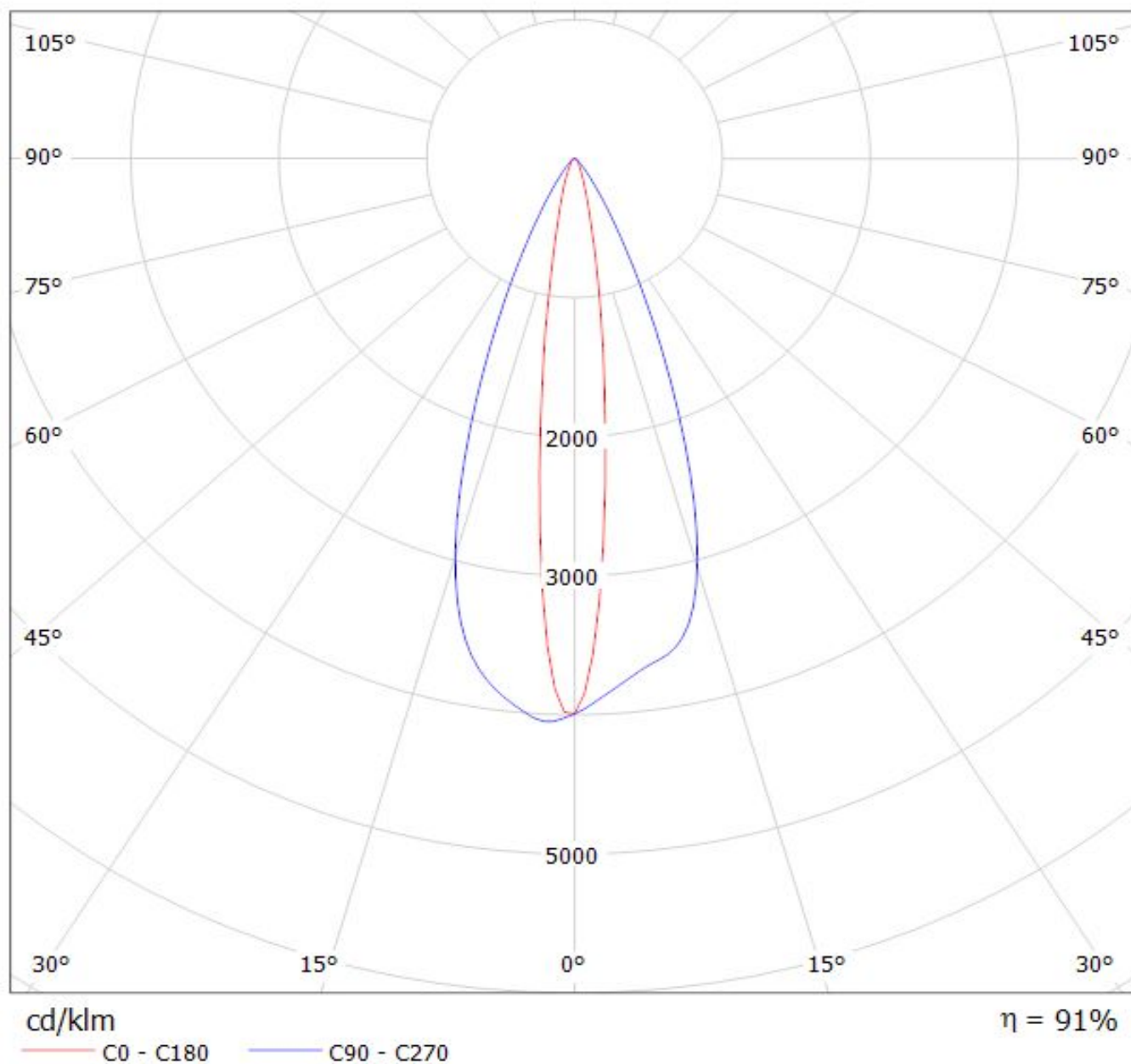
— C0 - C180 — C90 - C270

$\eta = 93\%$

Luminaire: LEDiL Oy CP11634_LXP3-O-90_(XP-E) Eff. 93%
Lamps: 1 x Cree XP-E (50,4lm@250mA) CCT=warm white P=0.8W I=250mA

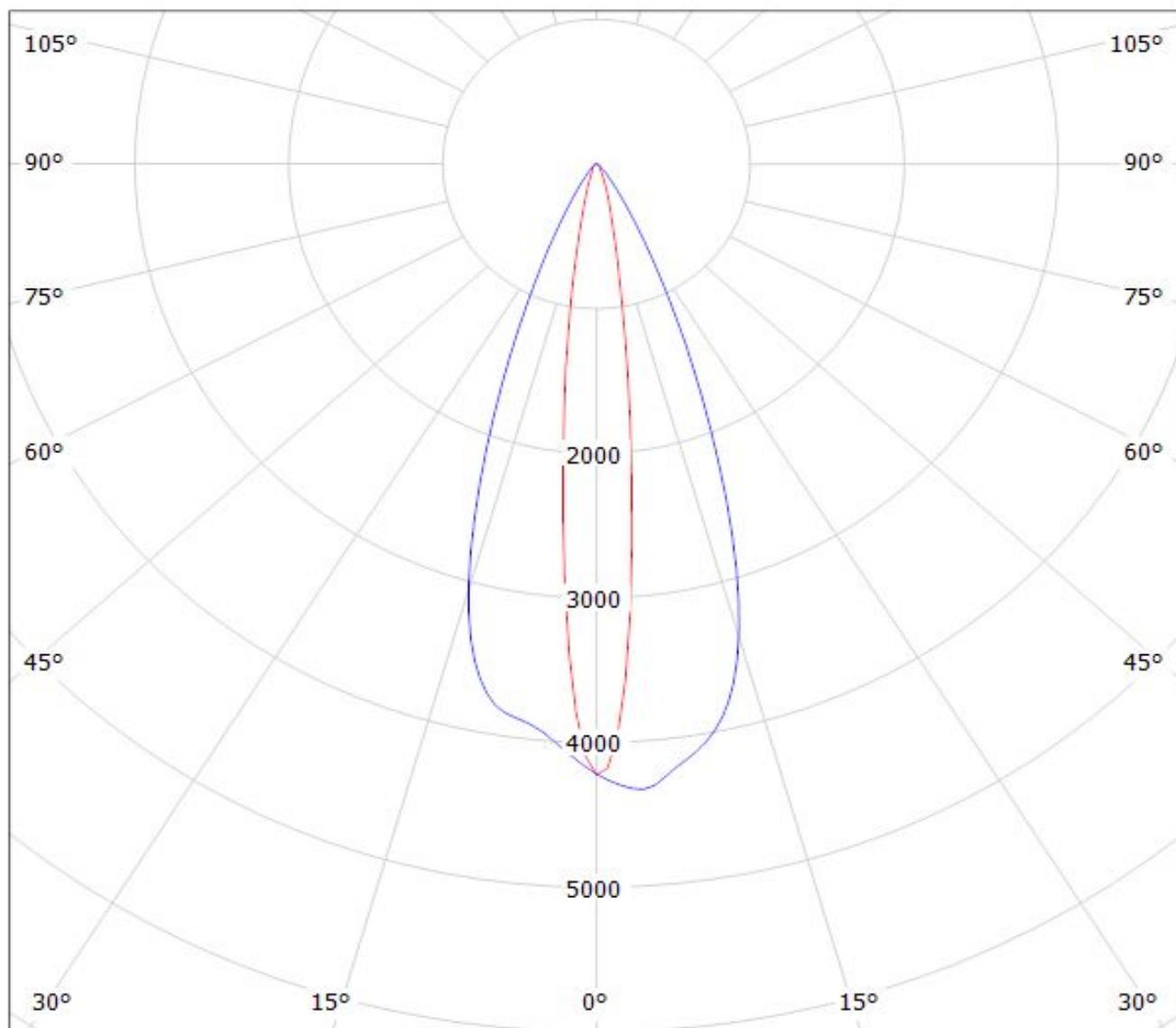


Luminaire: LEDiL Oy CP11634_LXP3-O-90_(XT-E) Eff. 91%
Lamps: 1 x XT-E (106,1lm@250mA) CCT=Cool white P=0.8W I=250mA



Luminaire: LEDiL Oy CA11484_LXP2-O-90_(XP-G2) Eff. 91%

Lamps: 1 x CREE XP-G2 (XPGBWT-L1-0000-00G51) 103.363lm@250mA CCT=5000K P=0.8W I=250mA



cd/klm

— C0 - C180

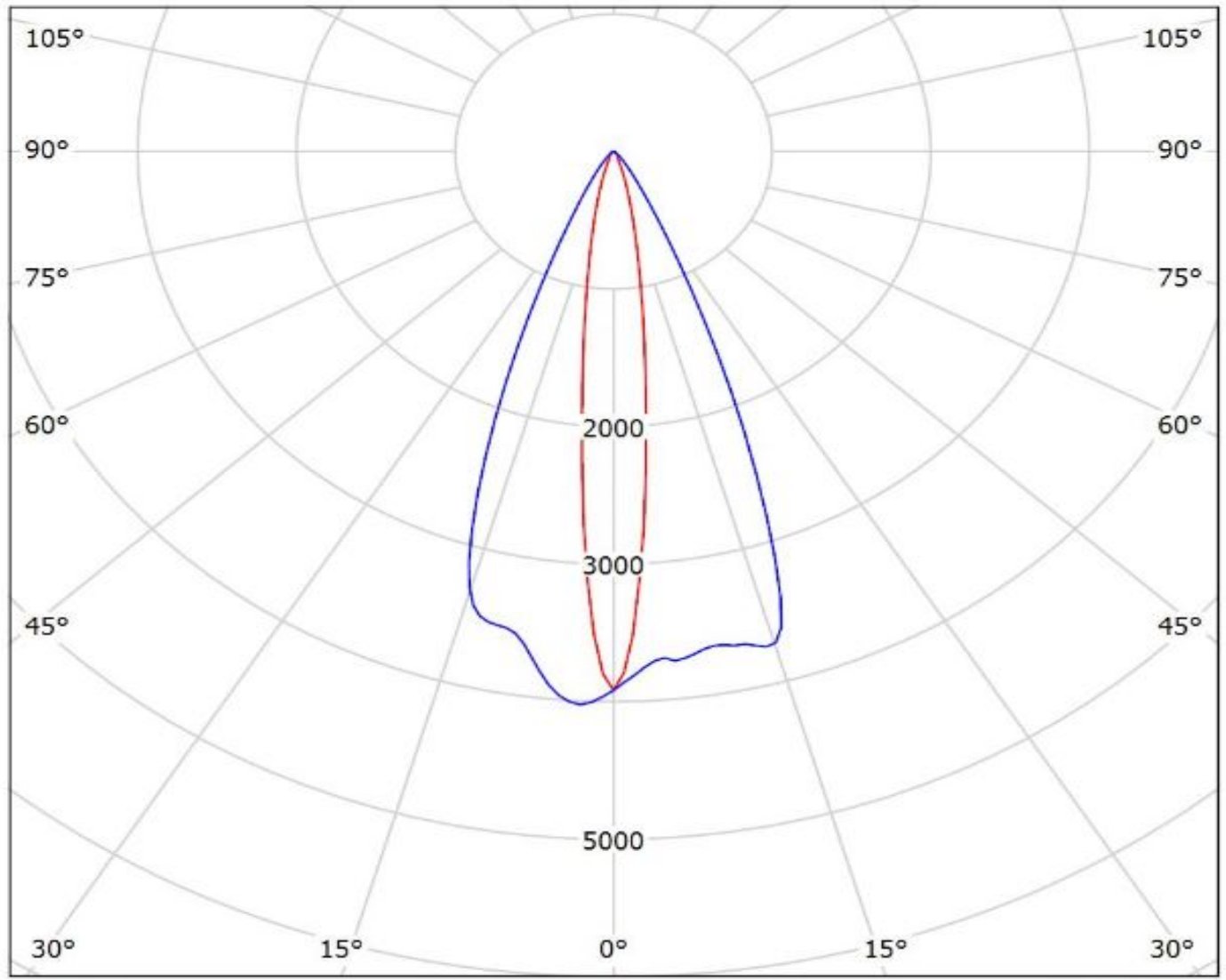
— C90 - C270

$\eta = 91\%$

Ledil CP11634_LXP3-O-90_(XP-L_HI) / LDC (Polar)

Luminaire: Ledil CP11634_LXP3-O-90_(XP-L_HI)

Lamps: 1 x CREE_XP-L_HI_116.97lm@250mA_P=0.75W_I=0.25A



cd/klm

— C0 - C180 — C90 - C270

$\eta = 90\%$

NOTE: The typical divergence will be changed by different color, chip size and chip position tolerance. The typical total divergence is the full angle measured where the luminous intensity is half of the peak value.