

PRODUCT NUMBER
71959-YXXLF

WHEN REQUIRED, ADD SUFFIX LETTER "LF"
INDICATES THE PRODUCT IS RoHS
COMPATIBLE, SEE NOTE 7

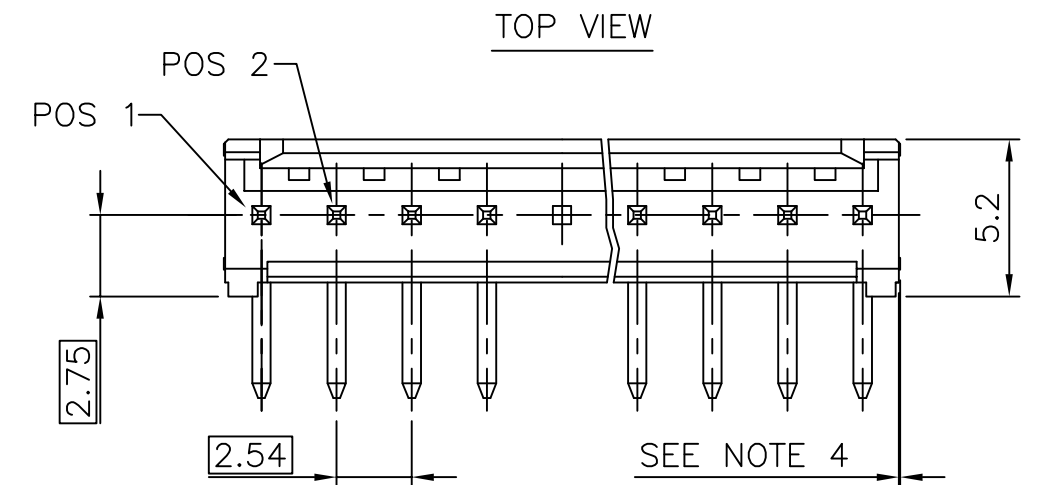
PLATING

3=0.76µm GOLD/GXT ON CONTACT AREA
3.81µm TIN-LEAD ON TAIL

4=3.81µm TIN-LEAD ON CONTACT AREA
AND ON TAIL

WHEN "LF" IS REQUIRED, 2µm MIN
MATTE TIN OVER 1.27µm MIN NICKEL
IS PROVIDED INSTEAD OF TIN-LEAD

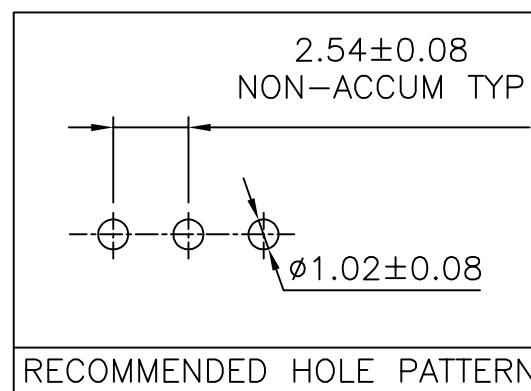
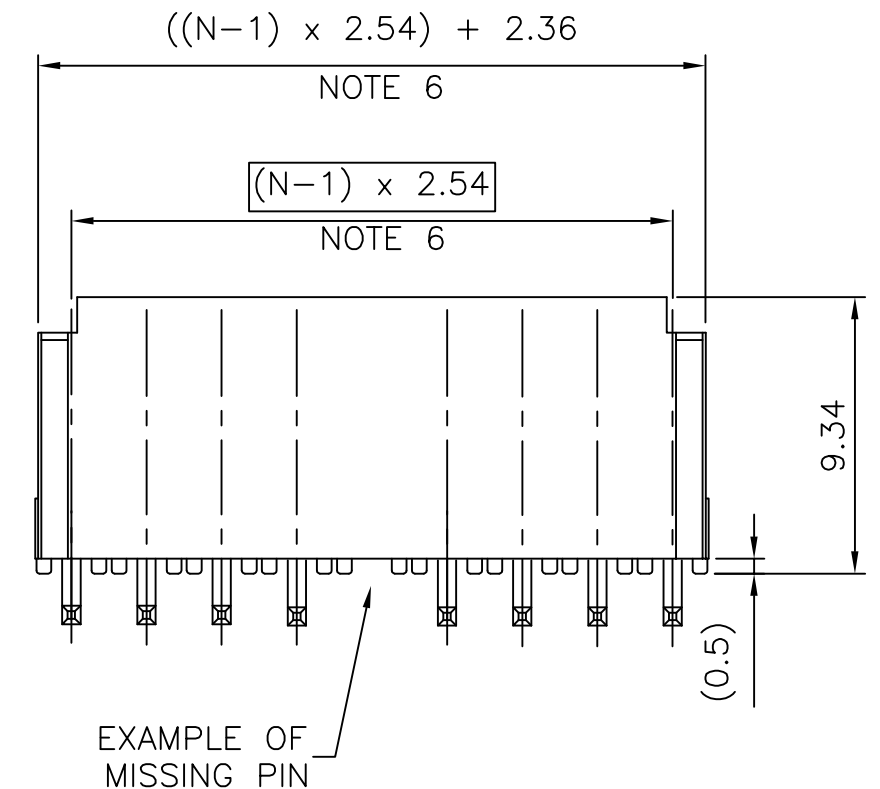
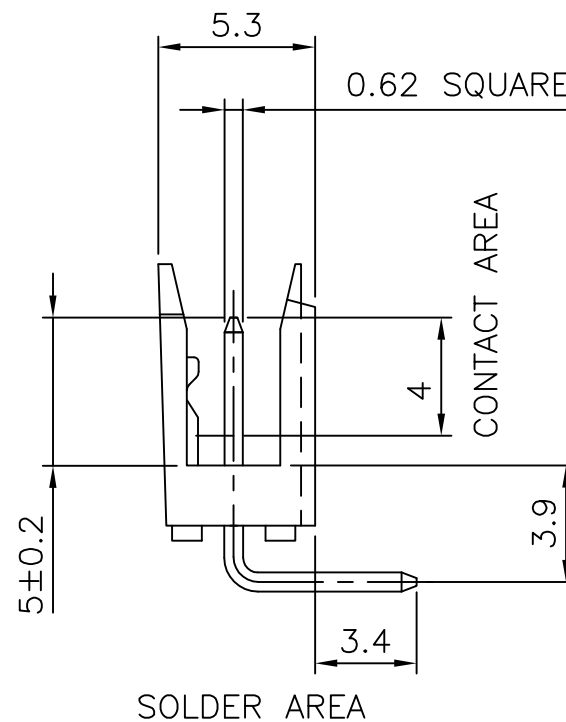
STYLE	SIZE	OMIT PIN POSITION FROM TOP VIEW
01	1x03	1
02	1x03	2
03	1x03	3
04	1x07	3;4;5
05	1x04	2;3
06	1x04	1;2;
07	1x07	2;4;6



NOTES:

- BODY MATERIAL: POLYESTER 30% GLASSFILLED COLOR BLUE, FLAME RETARDANT PER UL-94 V0.
- CONTACT MATERIAL: PHOSPHOR BRONZE.
- 15N MIN PIN RETENTION IN EITHER DIRECTION
- 0.6 MAX PROTRUSION PERMITTED AT 4 PLACES
- PACKAGING :
- POLYBAGS FROM 02 TO 06 POSITIONS
- TUBE FROM 07 TO 36 POSITIONS
- TO DETERMINE DIMENSIONS :
N = NUMBER OF POSITIONS PER ROW
EXAMPLE : 8 POS N x 2.54 = 20.32mm
- RoHS COMPATIBLE PRODUCT SPECIFICATIONS

- PLATING:
- "LF" MEANS THE PRODUCT IS LEAD-FREE, 2µm MINIMUM MATTE TIN OVER 1.27µm MINIMUM NICKEL UNDERPLATE.
- MANUFACTURING PROCESS COMPATIBILITY
- THE HOUSING WILL WITHSTAND EXPOSURE TO 245°C ±5°C SOLDER BATH TEMPERATURE FOR 5 SECONDS IN A WAVE SOLDER APPLICATION WITH A 1.6mm MIN THICK CIRCUIT BOARD.
- LABELING:
- MEETS PACKAGING SPECS AS PER GS-14-920
- LEGAL STATEMENT: SEE GS-22-008



mat'l. code SEE P/N		surface ISO 1302 ✓	tolerance ISO 406 ISO 101	projection mm	product family DUBOX HDR
ltr	ecn no	dr	date	tolerances unless otherwise specified	title DUBOX,SR,RA SELECTIVELY LOADED
H	F08-0147	YOV	08.04.14	angles linear .X ±0.3	
J	B-14263	LMU	13.03.14	.XX ±0.15	dwg no 71959
K	F-21810	AMA	15.06.19	.XXX ±0.05	
L	F-24817	AMA	16.08.26	dr COMPAGNON J 95.04.11	sheet 1 of 1 size A3
				enr PHAMVAN JM 95.04.11	type CUSTOMER Drawing
F	F05-0244	JCO	05.09.06	chr JMC 95.04.11	
G	F06-0228	LMU	06.07.11	app JMP 95.04.11	
sheet index	revision sheet				