

Spezifikation für Freigabe / specification for release

Kunde / customer :
 Artikelnummer / part number :

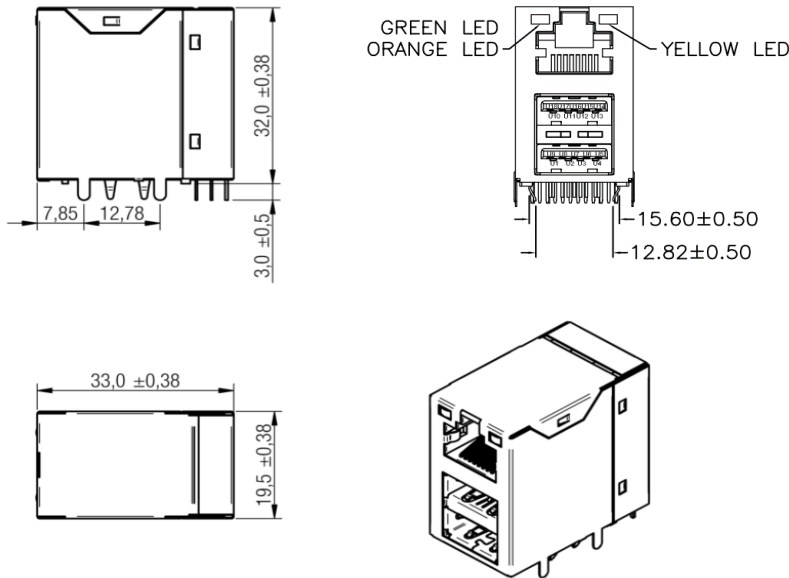
7497110616



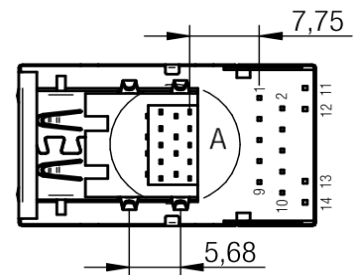
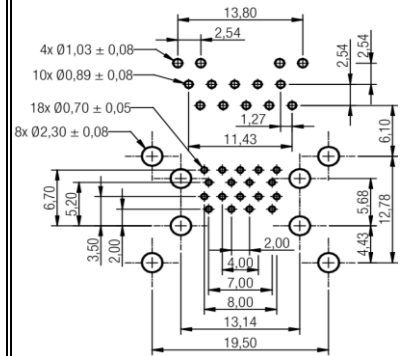
Bezeichnung : **LAN-Übertrager WE-RJ45LAN 10/100/1000 BaseT + USB 3.0**
 description : **LAN-Transformer WE-RJ45LAN 10/100/1000 BaseT + USB 3.0**

DATUM / DATE : 2016-06-15

A Mechanische Abmessungen / dimensions :



B Lötpad / soldering spec. :

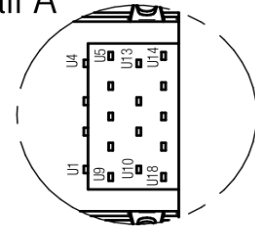


Dimensions in mm / Unless otherwise specified, tolerance ± 0.25 mm

C Elektrische Eigenschaften / electrical properties :

Eigenschaften / properties	Testbedingungen / test conditions		Wert / value	Einheit / unit	tol.
Induktivität / Inductance	100kHz / 100mV @ 8mA DC-Bias	OCL	350	μ H	min.
Übersetzungsverhältnis / Turns ratio	100kHz / 100mV	TR	1 : 1		3%
Insertion Loss	1-100MHz	IL	-1,0	dB	max.
Return Loss	1-30MHz @ 100 Ω	RL	-16	dB	min.
	30-60MHz @ 100 Ω		-13,5		
	60-80MHz @ 100 Ω		-12		
	80-100MHz @ 100 Ω		-10		
Common Mode Rejection	1-100MHz	CCMR	-30	dB	min.
Crosstalk	1-100MHz	CT	-30	dB	min.

detail A



D Prüfgeräte / test equipment :

HP4395A

E Testbedingungen / test conditions :

Luftfeuchtigkeit / humidity: 33%
 Umgebungstemperatur / temperature: +25°C

F Werkstoffe & Zulassungen / material & approvals :

Basismaterial / base material: Ferrit/ ferrite
 Draht / wire: 4UEW 155°C
 Kontaktmaterial/ contact plating: 100% tin w. nickel underplating
 30 μ gold plating on contact area
 Gehäuse / housing: Thermoplastic UL-94V0
 LED: 2.0 V/ 20mA
 Shield: 30 μ nickel over 0.01" cooper alloy

G Eigenschaften / general specifications :

Betriebstemp. / Operating temperature: -40°C + 85°C
 Hochspannungsprüfung / Hipot test: 1500Vrms 1min.
 Geeignet für 1000BaseT-Anwendungen gemäß IEEE 802.3ab /
 Compliant with IEEE 802.3ab for 1000BaseT

Freigabe erteilt / general release:

Kunde / customer			
.....		Mle	Revision 04
Datum / date		Mle	Revision 03
.....		Mru	Revision 02
Unterschrift / signature		Mle	Revision 01
Würth Elektronik		KSC	Revision 00
.....		Name	Änderung / modification
Geprüft / checked			Datum / date
.....			

Würth Elektronik eiSos GmbH & Co.KG

D-74638 Waldenburg · Max-Eyth-Straße 1 - 3 · Germany · Telefon (+49) (0) 7942 - 945 - 0 · Telefax (+49) (0) 7942 - 945 - 400
<http://www.we-online.com>

Spezifikation für Freigabe / specification for release

Kunde / customer :

Artikelnummer / part number :

7497110616

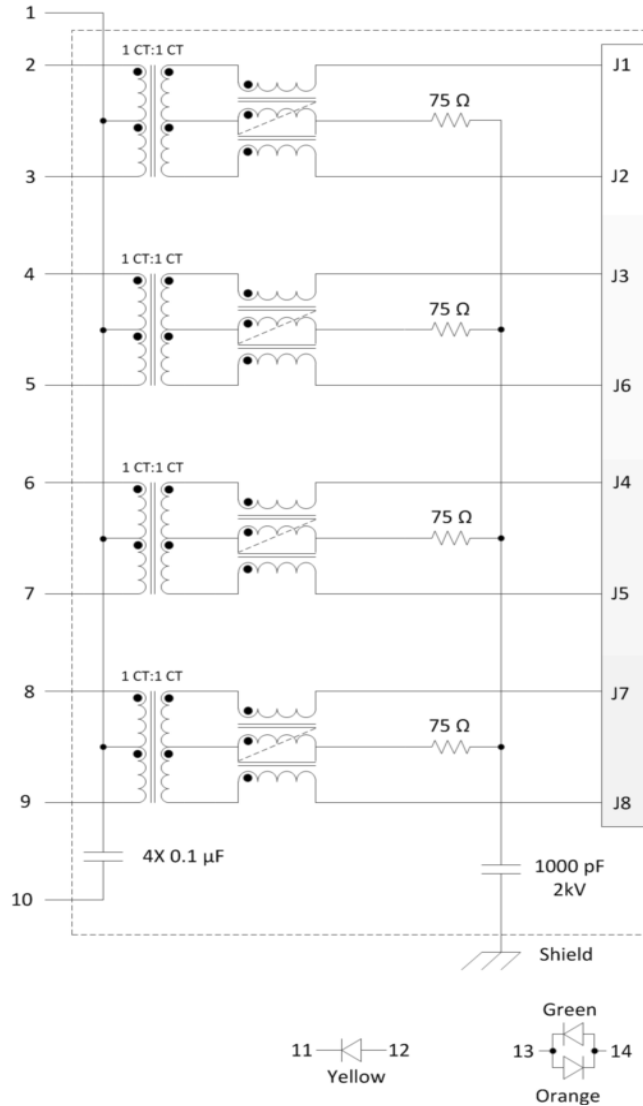


Bezeichnung : LAN-Übertrager WE-RJ45LAN 10/100/1000 BaseT + USB 3.0

description : LAN-Transformer WE-RJ45LAN 10/100/1000 BaseT + USB 3.0

DATUM / DATE : 2016-06-15

H Schaltbild / Schematics :



Freigabe erteilt / general release:	Kunde / customer		
.....	Mle	Revision 04
Datum / date	Unterschrift / signature	Mle	Revision 03
.....	Würth Elektronik	Mru	Revision 02
.....	Mle	Revision 01
Geprüft / checked	Kontrolliert / approved	KSC	Revision 00
		Name	Änderung / modification
			Datum / date

Würth Elektronik eiSos GmbH & Co.KG

D-74638 Waldenburg · Max-Eyth-Straße 1 - 3 · Germany · Telefon (+49) (0) 7942 - 945 - 0 · Telefax (+49) (0) 7942 - 945 - 400
<http://www.we-online.com>

Spezifikation für Freigabe / specification for release

Kunde / customer :

Artikelnummer / part number :

7497110616



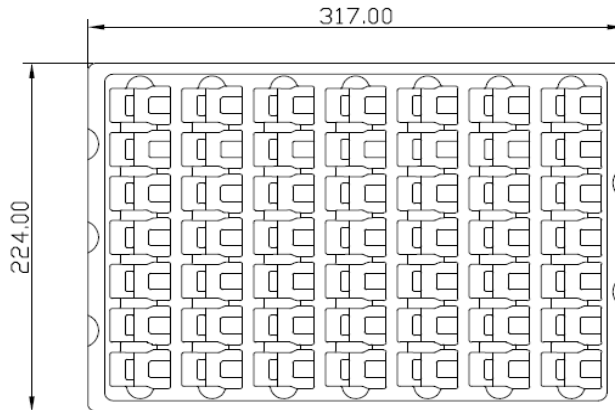
Bezeichnung : LAN-Übertrager WE-RJ45LAN 10/100/1000 BaseT + USB 3.0

description : LAN-Transformer WE-RJ45LAN 10/100/1000 BaseT + USB 3.0

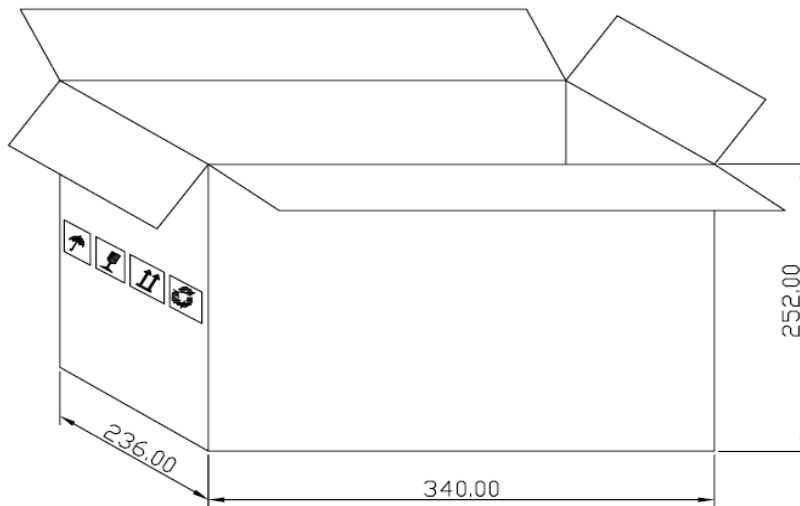
DATUM / DATE : 2016-06-15

I Verpackungsspezifikation / package specification :

Tray



Carton



Package Quantity:

tray= 49pcs
carton= 245pcs

dimensions in mm

Freigabe erteilt / general release:	Kunde / customer			
.....	Mle	Revision 04	2016-06-15
Datum / date	Unterschrift / signature	Mle	Revision 03	2013-07-24
.....	Würth Elektronik	Mru	Revision 02	2013-05-13
.....	Mle	Revision 01	2012-03-29
Geprüft / checked	Kontrolliert / approved	KSC	Revision 00	2011-01-05
		Name	Änderung / modification	Datum / date

This electronic component has been designed and developed for usage in general electronic equipment. Before incorporating this component into any equipment where higher safety and reliability is especially required or if there is the possibility of direct damage or injury to human body, for example in the range of aerospace, aviation, nuclear control, submarine, transportation, (automotive control, train control, ship control), transportation signal, disaster prevention, medical, public information network etc, Würth Elektronik eiSos GmbH must be informed before the design-in stage. In addition, sufficient reliability evaluation checks for safety must be performed on every electronic component which is used in electrical circuits that require high safety and reliability functions or performance.

Würth Elektronik eiSos GmbH & Co.KG

D-74638 Waldenburg · Max-Eyth-Straße 1 - 3 · Germany · Telefon (+49) (0) 7942 - 945 - 0 · Telefax (+49) (0) 7942 - 945 - 400
<http://www.we-online.com>